

24F161 Airless to AA Conversion Kit

406901A

For Merkur® ES Spray Packages

ENG

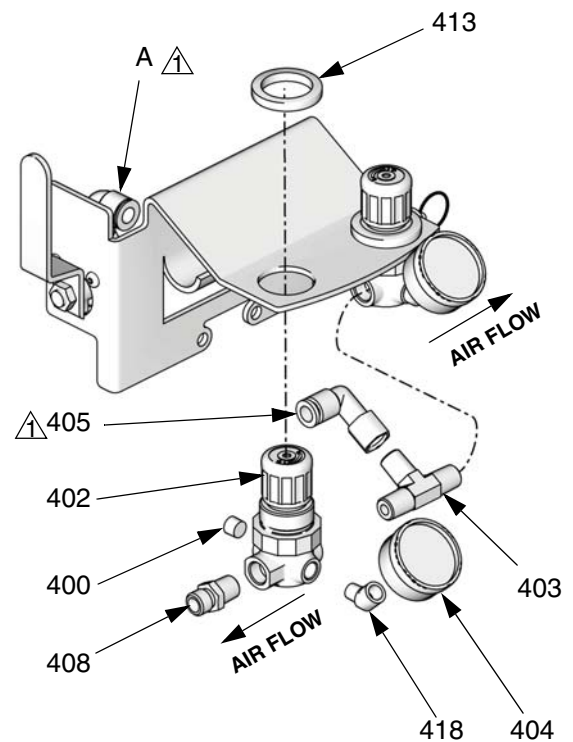



Important Safety Instructions

Read all warnings and instructions in your Merkur ES package manual. Save all instructions.

Ref.	Description	Qty
400	PLUG, regulator	1
402	REGULATOR, air	1
403	TEE; 1/4 npt(m)	1
404	GAUGE, air pressure	1
405	ELBOW, tube; 1/4 npt(f) x 3/8 in. (10 mm) OD tube	1
406	TUBE, polyurethane; 3/8 in. (10 mm) OD tube; 6 in. (152 mm); not shown	1
408	NIPPLE; 1/4 npsm x 1/4 npt	1
413	NUT, regulator	1
418	ELBOW, street, 45°; 1/8 npt (mxf)	1
419	SEALANT, pipe; 2 ml	1

1. Remove panel hole plug, push-to-connect tube fitting on regulator, and flexible tubing from the existing assembly.
2. Apply pipe sealant (419) to all pipe threads.
3. Install regulator (402) with air flow in direction marked by arrow.
4. Connect tubing (406) to elbow (405) and existing fitting (A). Trim length as necessary to seat securely in fittings.



 Connect tubing (406) between these two fittings.

ti16322a

Graco Inc. P.O. Box 1441 Minneapolis, MN 55440-1441

Original instructions. This manual contains English. MM 406901

Copyright 2010, Graco Inc. is registered to ISO 9001