

Cart Mounting Kit

406869A

Merkur™ Bellows Pumps

ENG



Important Safety Instructions

Read all warnings and instructions in manual 312799. Save all instructions.

Kit 24E879

Ref. Description

101 CART; Includes:

- Cart handle
- Wheel
- Hub cap
- Cart handle sleeve
- Leg cap
- Knob
- Screw

102 PLATE, mounting

103 SCREW, M8 x 16

Models with M12xxx or M18xxx air motor:

Use 4 to mount plate to cart; use 4 to mount plate to air motor and pump adapter.

Models with M04xxx or M07xxx air motor

Use 4 to mount plate to cart; use 2 to mount plate to pump adapter. Use 107 and 108 to mount plate to air motor.

104 LOCK NUT, 1/2 in. (13 mm)

105 SPACER, 2.2 in. (56 mm); for models with M04xxx air motor

SPACER, 1.5 in. (38 mm); for models with M07xxx air motor

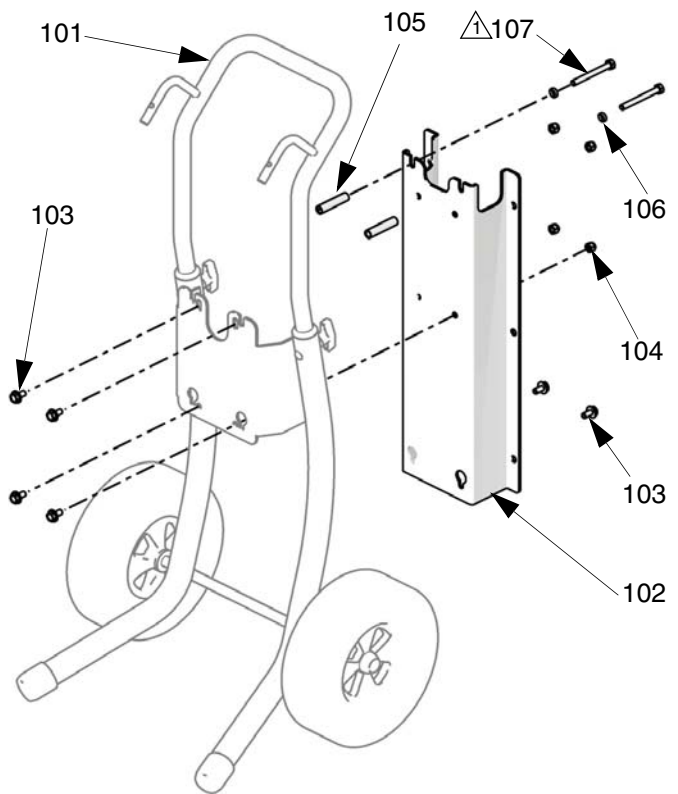
106 WASHER, 7/8 in. (22 mm); for models with M04xxx or M07xxx air motor

107 SCREW, M8 x 75; for models with M04xxx air motor

SCREW, M8 x 60; for models with M07xxx air motor

Qty.

- 1
- 1
- 2
- 2
- 2
- 2
- 2
- 2
- 2
- 1
- 8
- use 8
- use 6
- 4
- 2
- 2
- 2
- 2
- 2



⚠ Apply red Loctite® (included) approximately 0.25 in. on screw thread.

Graco Inc. P.O. Box 1441 Minneapolis, MN 55440-1441

Original instructions. MM 406869

Copyright 2010, Graco Inc. is registered to ISO 9001