

# Recirculation Kit

406842A

GlasCraft Probler P2 Gun

ENG



### Important Safety Instructions

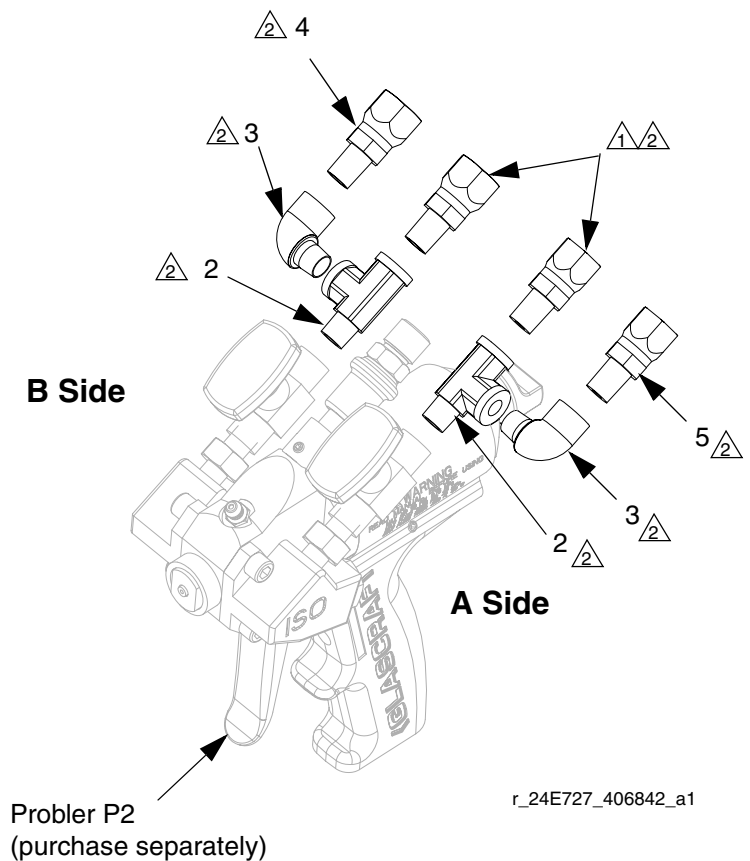
Read all warnings and instructions in the Probler P2 manual 313213. Save all instructions.

### Kit 24E727

Ref.	Part No.	Description	Qty.
2	110475	FITTING, street, tee	2
3	112307	ELBOW, street	2
4	117634	SWIVEL, union, #6 JIC	1
5	117635	SWIVEL, union, #5 JIC	1

△1 Remove from gun and install as shown.

△2 Apply PTFE tape to threads.



Graco Inc. P.O. Box 1441 Minneapolis, MN 55440-1441  
 406842 Rev. A03/2010  
 Copyright 2010, Graco Inc. is registered to ISO 9001

Original instructions.