

20 Liter Platen

3A3113C

EN

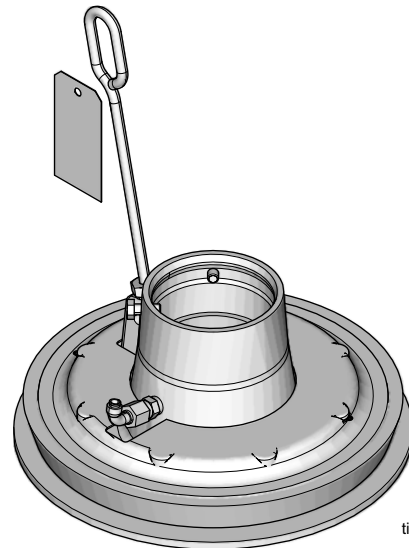
Replacement 20 liter platens for delivering medium to high-viscosity materials from pails to a metering and dispensing systems. For professional use only.

Kit No. 16U676



Important Safety Instructions

Read all warnings and instructions in this manual and in the metering or dispensing system manual. Save all instructions.

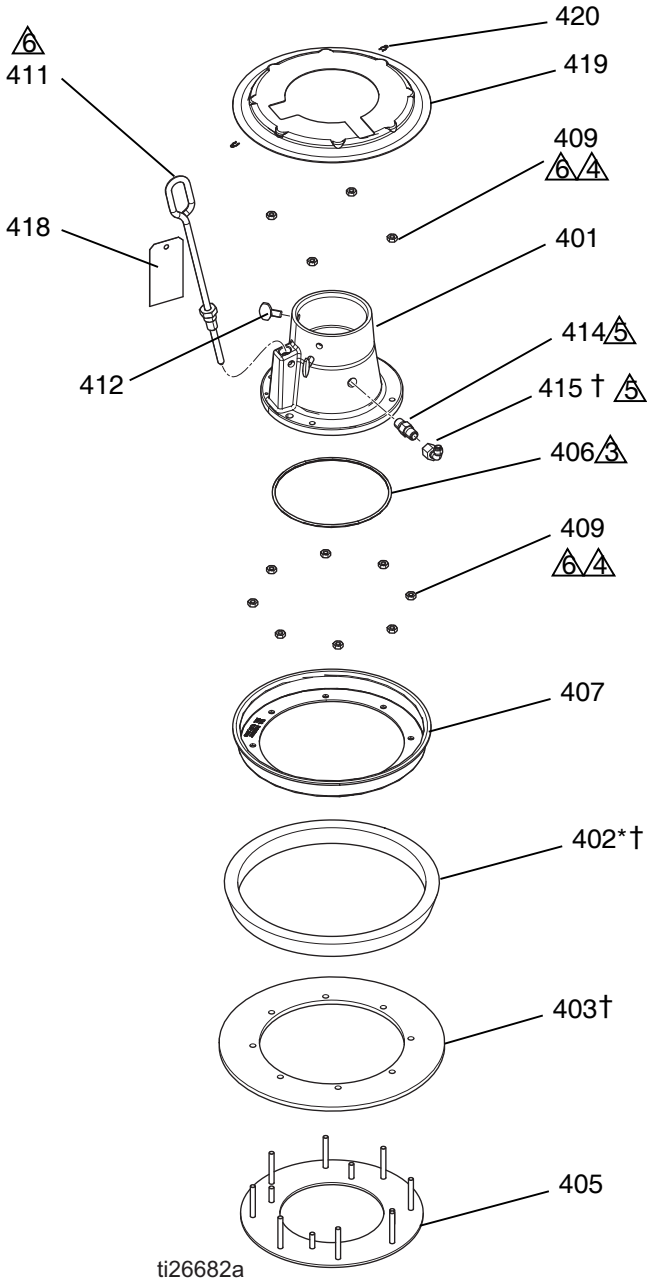


ti26683a

GRACO INC. AND SUBSIDIARIES • P.O. BOX 1441 • MINNEAPOLIS MN 55440-1441 • USA
Copyright 2015, Graco Inc. All Graco manufacturing locations are registered to ISO 9001.
3A3113 Revision C, July 2020

Parts

20L Platen, 16U676



Ref	Part	Description	Qty
401	---	BASE, platen, 20L	1
402†	276049	SPACER, urethane wedge	1
403†	262936	WIPER, main, neoprene	1
405	---	PLATE, bottom, platen	1
406	111331	O-RING, packing, -162, PTFE	1
407	---	CLAMP, retainer	1
409	---	NUT, keps, hex head, 1/4-20	12
411	257697	HANDLE, bleed, stainless steel	1
412	---	SCREW, thumb, 5/16-18 x 1/2, carbon steel	2
413◆	128838	PACKING, o-ring	1
414	501867	VALVE, check, sst, PTFE	1
415†	17E556	FITTING, elbow 90 degree	1
416	---	LUBRICANT, grease	1
417	---	SEALANT, pipe, stainless steel	1
418	---	TAG, instruction	1
419	15W184	COVER, 20L, shroud	1
420	16U740	PIN, hairpin, cotter; pack of 10	1
421	---	LUBRICANT, thread	1

--- Not for sale.

◆ Not shown. Item is not assembled. Items installs onto platen adapter.

† Do not soak in solvent. Wipe clean and set aside to dry.

* See Spacer Orientation Tag (418).

- 3 Apply grease to hold ring (406) in place during assembly.
- 4 Torque to 40-50 in-lb (4.5-5.6 N•m).
- 5 Apply pipe sealant to all non-swiveling pipe threads.
- 6 Apply thread lubricant to threads.

INSTRUCTIONS
<p>Straight pail on ram: Spacer thick side down.</p>
<p>Straight pail on inductor: Spacer thick side up.</p>
<p>Tapered pails: No spacer used.</p>