

Air Over Oil Manifold Assembly

313848D
ENG

- Uses one-way air injectors to inject air into individual valve lube outlet ports -

Model No.: 24B237 (3 sections), 24B239 (4 sections), 24B240 (5 sections), 24B241 (6 sections)

Models without Air Sensor: 24J814 (3 sections), 24J815 (4 sections), 24J816 (5 sections), 24J817 (6 sections)

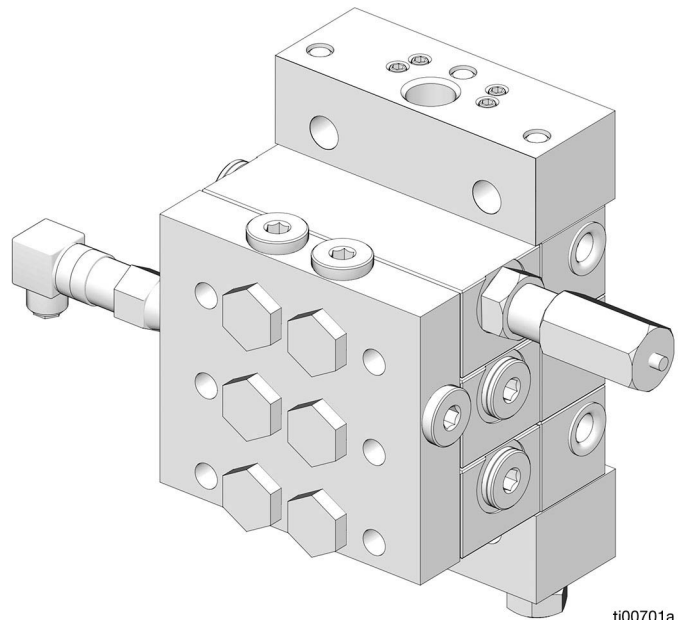
Can be mounted to standard, Graco MSP Divider Valve. See instruction manual 312497.

250 psi (1.7 MPa, 17 bar) Maximum Air and Fluid Working Pressure



Important Safety Instructions

Read all warnings and instructions in this manual.
Save these instructions.






ti00701a

Model 24B237 shown attached to MSP Divider Valve

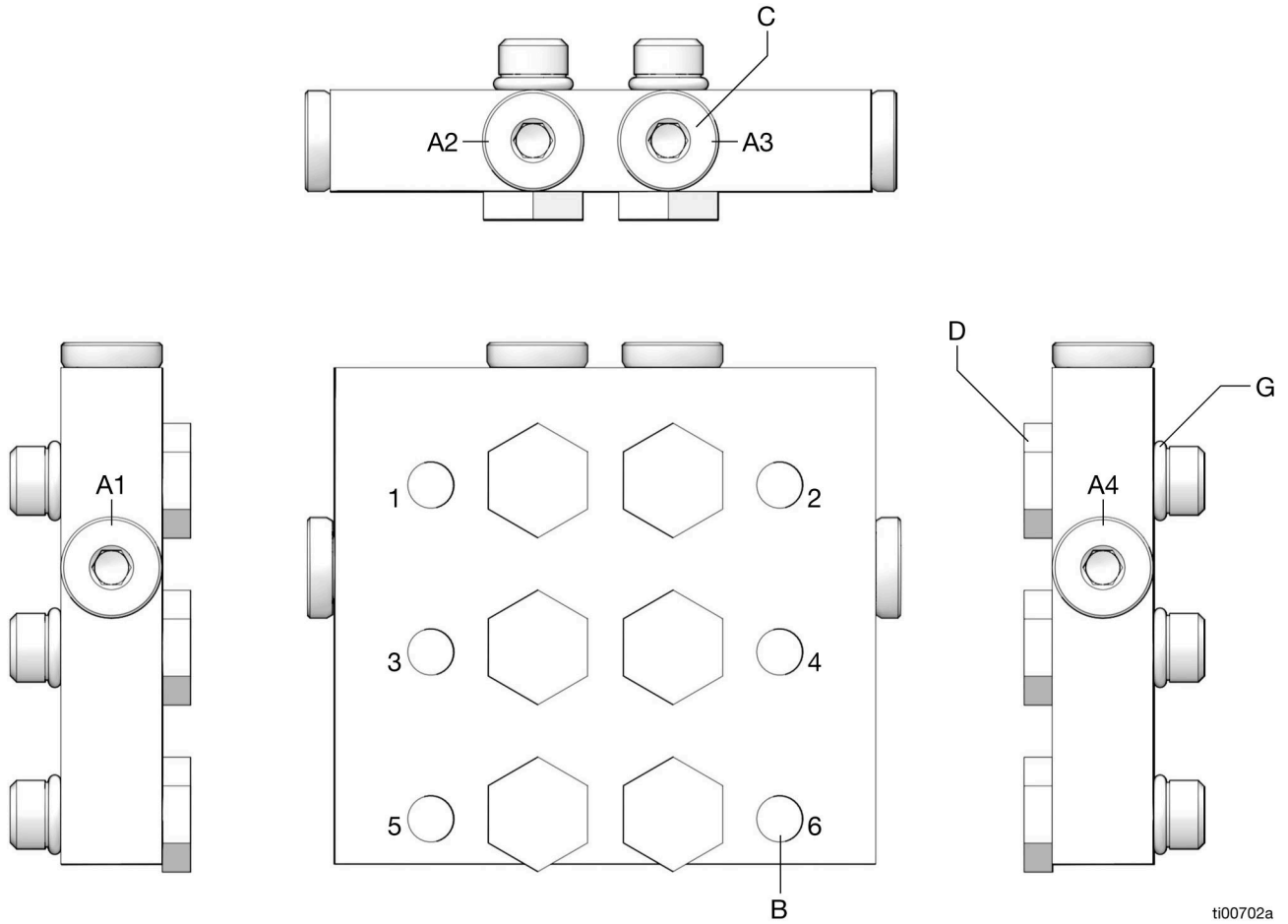
Warnings

The following warnings are for the setup, use, grounding, maintenance, and repair of this equipment. The exclamation point symbol alerts you to a general warning and the hazard symbol refers to procedure-specific risk. Refer back to these warnings. Additional, product-specific warnings may be found throughout the body of this manual where applicable.

 WARNING	
	<p>PRESSURIZED EQUIPMENT HAZARD</p> <p>Fluid from the gun/dispense valve, leaks, or ruptured components can splash in the eyes or on skin and cause serious injury.</p> <ul style="list-style-type: none"> • Follow Pressure Relief Procedure in this manual, when you stop spraying and before cleaning, checking, or servicing equipment. • Tighten all fluid connections before operating the equipment. • Check hoses, tubes, and couplings daily. Replace worn or damaged parts immediately.
	<p>EQUIPMENT MISUSE HAZARD</p> <p>Misuse can cause death or serious injury.</p> <ul style="list-style-type: none"> • Do not operate the unit when fatigued or under the influence of drugs or alcohol. • Do not exceed the maximum working pressure or temperature rating of the lowest rated system component. See Technical Data in all equipment manuals. • Do not leave the work area while equipment is energized or under pressure. Turn off all equipment and follow the Pressure Relief Procedure in this manual when equipment is not in use. • Check equipment daily. Repair or replace worn or damaged parts immediately with genuine manufacturer's replacement parts only. • Do not alter or modify equipment. • Use equipment only for its intended purpose. Call your distributor for information. • Route hoses and cables away from traffic areas, sharp edges, moving parts, and hot surfaces. • Do not kink or over bend hoses or use hoses to pull equipment. • Keep children and animals away from work area. • Comply with all applicable safety regulations.

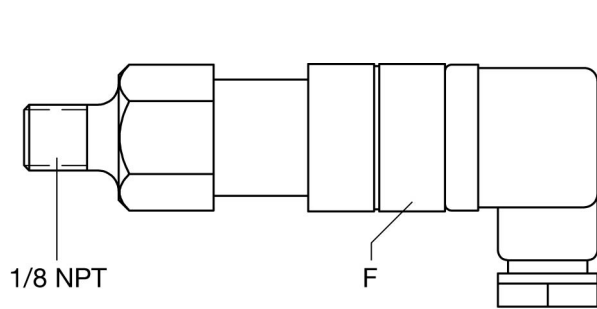
Assembly Instructions

Refer to FIG. 1 and FIG. 2.



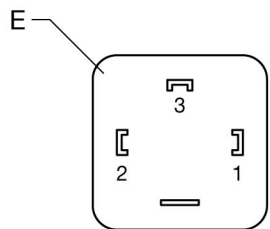
ti00702a

Fig. 1



PIN CONFIGURATION

PIN 1 - COM
 PIN 2 - Not Used
 PIN 3 - Normally Open



ti00703a

Key

- A Air supply ports
- B Valve mounting screw access port
- C Plug 1/8 NPSF (4 places) (Part No. 557776)
- D Injector kit (Part No. 24B246)
- E DIN 43650A Connector
- F Air Pressure Sensor (sold separately, Part No. 122375)
- G O-ring (Part No. 111710)

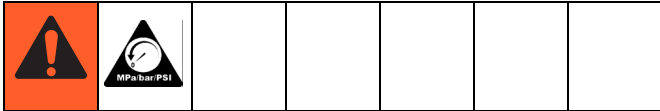
Torque Pattern - Torque to 8-9 ft-lb (10.8-12.2 N•m)

1 - 6
2 - 5
3 - 4

Fig. 2

Installation Instructions

Pressure Relief Procedure



Follow this pressure relief procedure whenever instructed to relieve pressure or need to check or service equipment.

1. Turn off power (air, electric, hydraulic) to lube supply pump.
2. Turn off air supply to air manifold.
3. Using a wrench, slowly loosen fluid inlet fitting.
4. Using a wrench, slowly loosen each outlet port fitting.
5. Using a wrench, slowly loosen air inlet fitting.

Assembly Instructions

NOTE: The Air Over Oil Manifold is designed to mount to a standard Graco MSP divider valve. For instructions on how to use an MSP divider valve, refer to instruction manual 312497.

The Air Over Oil Manifold uses one-way air injectors to inject air into each of the individual divider valve lube outlet ports. Each air injector assembly is internally checked to prevent oil from entering the air supply system.

The Air Over Oil Manifold does not utilize common porting between the lube outlets, therefore each outlet is both pneumatically and hydraulically independent.

An air pressure sensor is provided to monitor for any blockage or breaks in the air line.

MSP divider valve with a cycle indicator can be used to monitor for proper oil lube cycles or blockage in any of the lubrication lines.

1. Remove the indicator port plugs from the divider valve assembly.
2. Loosen the valve section mounting socket head cap screws.

3. Place the Air Over Oil Manifold over the valve section and hand tighten all air injectors to seat the manifold on the valve stack. Then tighten the air injectors with a wrench in a star pattern until all o-rings are seated in o-ring ports of valve and manifolds.

NOTE: The correct order is provided in the chart on page 3.

4. Using valve mounting screw access ports, torque all valve section mounting socket head cap screws to 8 - 9 ft-lb (10.8 - 12.2 N•m).
5. The air supply may be induced into manifold using any available port, A1, A2, A3, or A4.
6. The air pressure sensor may be connected to any available port not connected to the air supply. This device warns of any blockage or breaks in the air line.

NOTE:

- Always use an air line filter of 40 micron or better to remove dirt and moisture from the compressed air supply.
- Install an air regulator to allow pressure adjustment.

Start Up Instructions

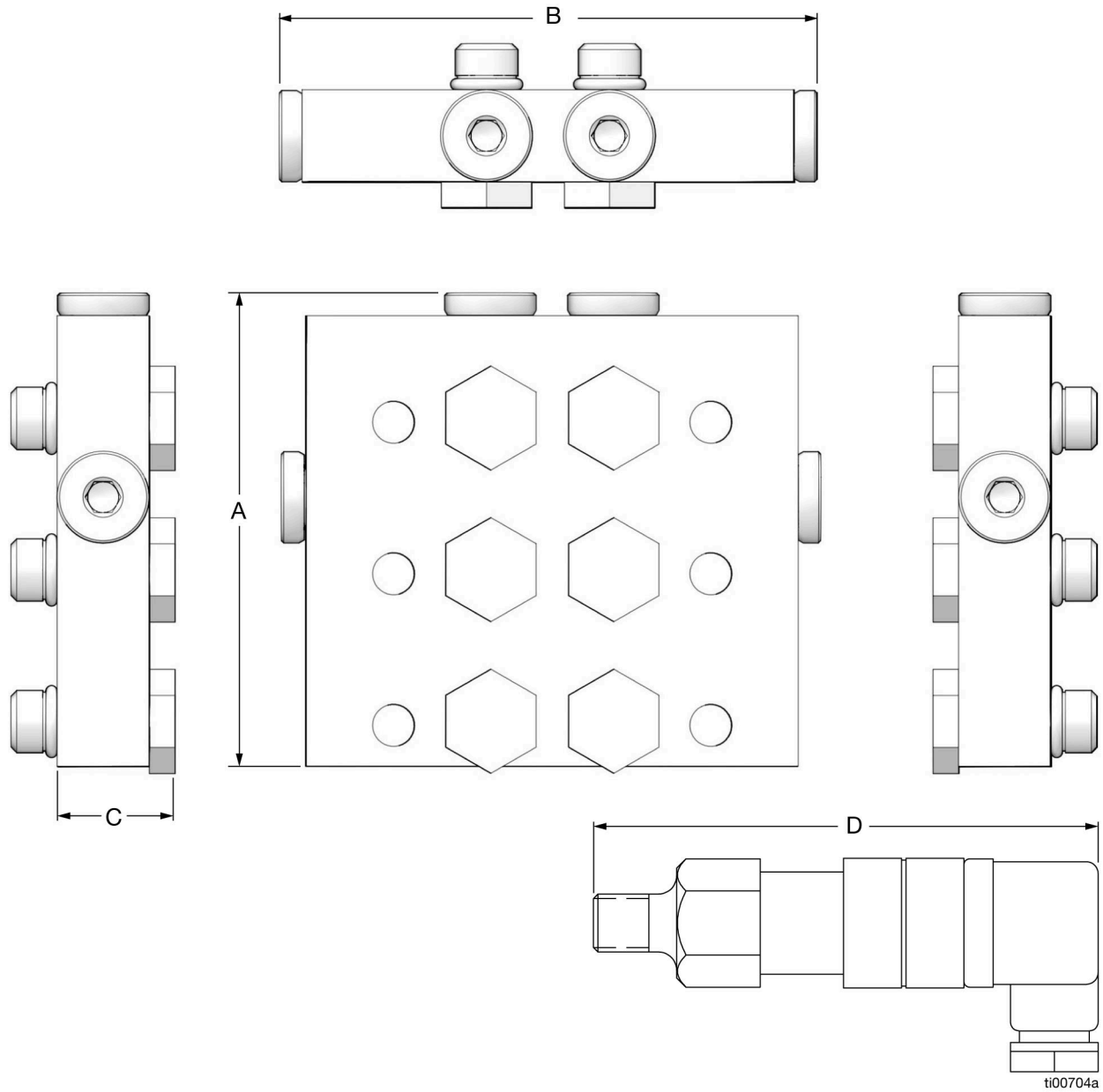
- System must be pre-filled with 100 psi (0.69 MPa, 6.9 bar) of air pressure. Once the system is pre-filled and oil is being emitted from each distribution line, the system air may be reduced to final operating pressures.
- Minimum operating air pressure is 45 psi (0.31 MPa, 3.1 bar).
- Air pressure sensors are factory set to 35 psi (0.24 MPa, 2.4 bar) (Models 24B237, 24B239, 24B240, 24B241 only).

Technical Data

Maximum Air Working Pressure	250 psi (1.7 MPa, 17 bar)
Maximum Fluid Working Pressure	250 psi (1.7 MPa, 17 bar)
Lubricant	Oils up to ISO 460 (2500 sus)
Air Inlet	1/8 NPT female
Maximum Operating Temperature	200° F (93° C)
Material	anodized aluminum, zinc plated steel, stainless steel, chrome alloy steel, fluorocarbon
Air Sensor	
Air Connection	1/8 NPT male
Electrical Connection	DIN43650A, PIN 1 - COM, PIN 2 - Not used, PIN3 - Normally Open
Maximum Pressure	250 psi (1.7 MPa, 17 bar)
Fixed Setpoint	35 psi (.24 MPa, 2.4 bar)
Setpoint Direction	Falling
Circuit Form	SPST-NO (below 35 psi)
Current Rating	5A @ 250 VAC 5A @ 30 VDC (resistive)
Diaphragm Material	Buna-N
Delivery Tube Length Required	
Minimum	24 in. (0.6 mm)
Maximum	50 ft (15.24 m)

NOTE: For best results, limit the tube lengths to 15 ft (3 m) and avoid using unions, elbows, or other fittings between the Air Over Oil Manifold and the spray nozzle or lubrication point.

Dimensions



Model	Dimension A in. (mm)	Dimension B in. (mm)	Dimension C in. (mm)	Dimension D in. (mm)
24B237	2.89 (73.4)	3.00 (76.2)	.718 (18.2)	3.75 (95.3)
24B239	3.815 (96.9)	3.00 (76.2)	.718 (18.2)	3.75 (95.3)
24B240	4.74 (120.39)	3.00 (76.2)	.718 (18.2)	3.75 (95.3)
24B241	5.665 (143.89)	3.00 (76.2)	.718 (18.2)	3.75 (95.3)

California Proposition 65

CALIFORNIA RESIDENTS

 **WARNING:** Cancer and reproductive harm – www.P65warnings.ca.gov.

Graco Standard Warranty

Graco warrants all equipment referenced in this document which is manufactured by Graco and bearing its name to be free from defects in material and workmanship on the date of sale to the original purchaser for use. With the exception of any special, extended, or limited warranty published by Graco, Graco will, for a period of twelve months from the date of sale, repair or replace any part of the equipment determined by Graco to be defective. This warranty applies only when the equipment is installed, operated and maintained in accordance with Graco's written recommendations.

This warranty does not cover, and Graco shall not be liable for general wear and tear, or any malfunction, damage or wear caused by faulty installation, misapplication, abrasion, corrosion, inadequate or improper maintenance, negligence, accident, tampering, or substitution of non-Graco component parts. Nor shall Graco be liable for malfunction, damage or wear caused by the incompatibility of Graco equipment with structures, accessories, equipment or materials not supplied by Graco, or the improper design, manufacture, installation, operation or maintenance of structures, accessories, equipment or materials not supplied by Graco.

This warranty is conditioned upon the prepaid return of the equipment claimed to be defective to an authorized Graco distributor for verification of the claimed defect. If the claimed defect is verified, Graco will repair or replace free of charge any defective parts. The equipment will be returned to the original purchaser transportation prepaid. If inspection of the equipment does not disclose any defect in material or workmanship, repairs will be made at a reasonable charge, which charges may include the costs of parts, labor, and transportation.

THIS WARRANTY IS EXCLUSIVE, AND IS IN LIEU OF ANY OTHER WARRANTIES, EXPRESS OR IMPLIED, INCLUDING BUT NOT LIMITED TO WARRANTY OF MERCHANTABILITY OR WARRANTY OF FITNESS FOR A PARTICULAR PURPOSE.

Graco's sole obligation and buyer's sole remedy for any breach of warranty shall be as set forth above. The buyer agrees that no other remedy (including, but not limited to, incidental or consequential damages for lost profits, lost sales, injury to person or property, or any other incidental or consequential loss) shall be available. Any action for breach of warranty must be brought within two (2) years of the date of sale.

GRACO MAKES NO WARRANTY, AND DISCLAIMS ALL IMPLIED WARRANTIES OF MERCHANTABILITY AND FITNESS FOR A PARTICULAR PURPOSE, IN CONNECTION WITH ACCESSORIES, EQUIPMENT, MATERIALS OR COMPONENTS SOLD BUT NOT MANUFACTURED BY GRACO. These items sold, but not manufactured by Graco (such as electric motors, switches, hose, etc.), are subject to the warranty, if any, of their manufacturer. Graco will provide purchaser with reasonable assistance in making any claim for breach of these warranties.

In no event will Graco be liable for indirect, incidental, special or consequential damages resulting from Graco supplying equipment hereunder, or the furnishing, performance, or use of any products or other goods sold hereto, whether due to a breach of contract, breach of warranty, the negligence of Graco, or otherwise.

FOR GRACO CANADA CUSTOMERS

The Parties acknowledge that they have required that the present document, as well as all documents, notices and legal proceedings entered into, given or instituted pursuant hereto or relating directly or indirectly hereto, be drawn up in English. Les parties reconnaissent avoir convenu que la rédaction du présente document sera en Anglais, ainsi que tous documents, avis et procédures judiciaires exécutés, donnés ou intentés, à la suite de ou en rapport, directement ou indirectement, avec les procédures concernées.

Graco Information

For the latest information about Graco products, visit www.graco.com.

For patent information, see www.graco.com/patents.

TO PLACE AN ORDER, contact your Graco distributor or call to identify the nearest distributor.

Phone: 612-623-6928 **or Toll Free:** 1-800-533-9655, **Fax:** 612-378-3590

*All written and visual data contained in this document reflects the latest product information available at the time of publication.
Graco reserves the right to make changes at any time without notice.*

This manual contains English. MM 313848

Graco Headquarters: Minneapolis

International Offices: Belgium, China, Japan, Korea

GRACO INC. P.O. BOX 1441 MINNEAPOLIS, MN 55440-1441

Copyright 2009, Graco Inc. is registered to ISO 9001

www.graco.com

Revision D, April 2024