

GENUINE GRACO PARTS AND ACCESSORIES

# 24B187 Two Gun Option Kit

For Merkur® Spray Packages



406744B

ENG



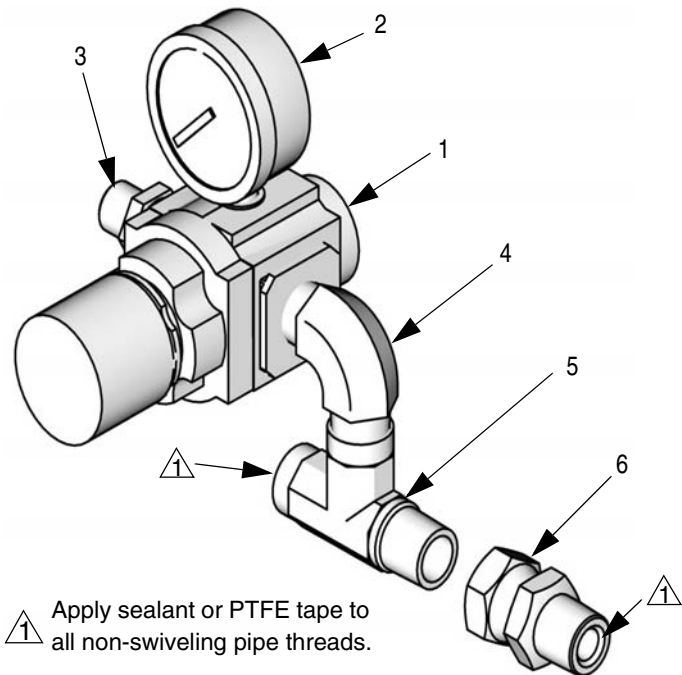
### Important Safety Instructions

Read all warnings and instructions in manual 312797. Save all instructions.

100 psi (0.7 MPa, 7.0 bar) maximum working pressure

Maximum air flow: 105 SCFM @ 100 psi  
(50 dm<sup>3</sup>/second @ 7.0 bar) inlet pressure

Ref.	Description	Qty.
1	REGULATOR, air, 3/8 npt	1
2	GAUGE, pressure, air	1
3	NIPPLE, reducing, 3/8 npt x 1/4 npt	1
4	ELBOW, cst, 3/8 npt (mbe)	1
5	TEE, 3/8 npt(f) x 3/8 npt(m) run x 3/8 npt(f) branch	1
6	FITTING, swivel, 3/8 npt(m) x 3/8 npsm(f)	1
7	FITTING, adapter, 1/4 npt x 1/4 npsm (see back of page)	1



ti13160a

Graco Inc. P.O. Box 1441 Minneapolis, MN 55440-1441

406744 Rev. B 02/2011

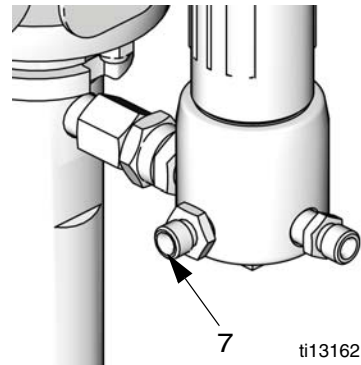
Original instructions. This manual contains English.

Copyright 2008, Graco Inc. is registered to ISO 9001

## Installation

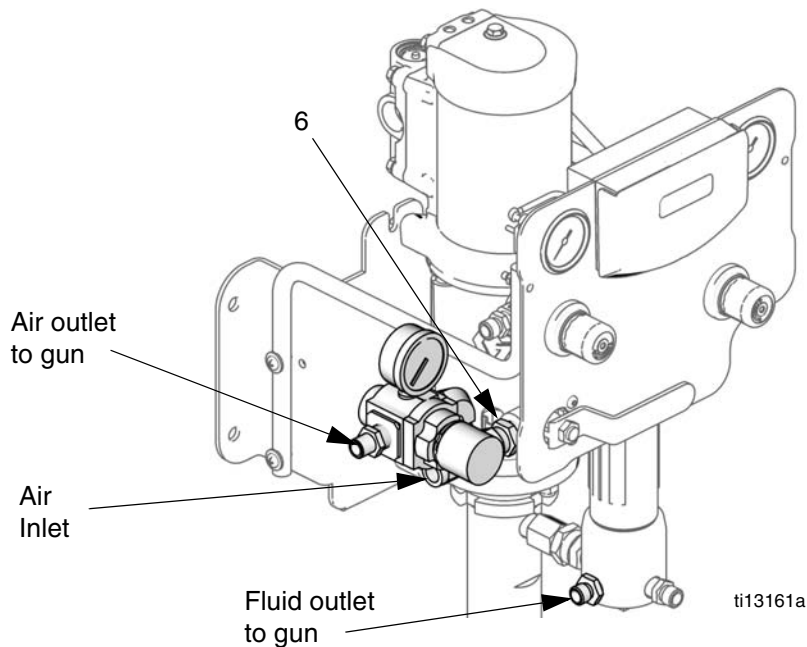
1. Follow all warnings and instructions in your spray package manual to **relieve the pressure**.
2. Disconnect the main air supply line from the air inlet.
3. Install the swivel fitting (6) into the control panel air inlet.
4. Install the assembled regulator into the swivel fitting. Use the swivel nut to adjust the angle of the assembled regulator before tightening.
5. Connect a grounded air hose to the air outlet and to the air inlet of the second gun.

6. Remove plug and replace with adapter (7) in the fluid filter outlet.



ti13162

7. Connect a grounded fluid hose to the fluid outlet and to the fluid inlet of the second gun.
8. Reconnect the main air supply line.



ti13161a