

GENUINE GRACO PARTS AND ACCESSORIES



24A798 Merkur[®] 316 Stainless Steel Seat Kit

For Merkur LW125A Displacement Pumps
Replaces tungsten carbide seats for high corrosive applications

406792B

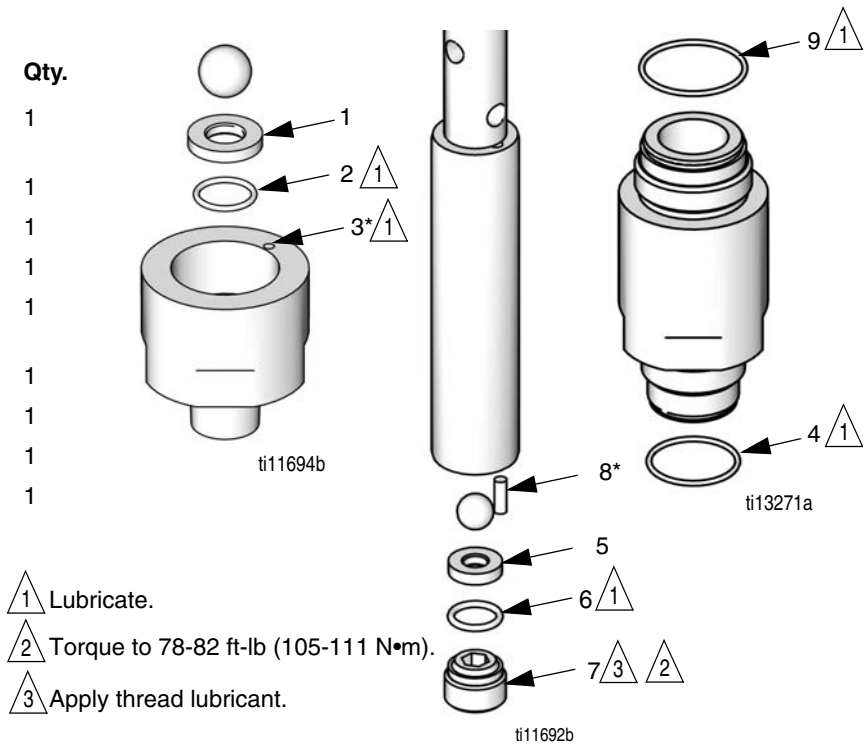


Important Safety Instructions

Read all warnings and instructions in manuals 312792 and 312794. Save all instructions.

Ref.	Description	Qty.
1	SEAT, 316 stainless steel, intake valve	1
2	O-RING, PTFE, 1 in. (25 mm)	1
3*	THREAD LOCKER, nylon	1
4	O-RING, PTFE, 2.3 in. (58 mm)	1
5	SEAT, 316 stainless steel, piston valve	1
6	O-RING, 0.9 in. (23 mm)	1
7	NUT, flow-through	1
8*	THREAD LOCKER, nylon	1
9	O-RING, PTFE, 2.6 in. (66 mm)	1

* Remove and replace only if damaged.



1 Lubricate.

2 Torque to 78-82 ft-lb (105-111 N•m).

3 Apply thread lubricant.

Graco Inc. P.O. Box 1441 Minneapolis, MN 55440-1441

406792 Rev. B - May 2013

Copyright 2008, Graco Inc. is registered to I.S. EN ISO 9001

