

GENUINE GRACO PARTS AND ACCESSORIES

24A794 Merkur[®] 316 Stainless Steel Seat Kit



For Merkur LW025A Displacement Pumps
Replaces tungsten carbide seats for high corrosive applications

406788B



Important Safety Instructions

Read all warnings and instructions in manuals 312792 and 312794. Save all instructions.

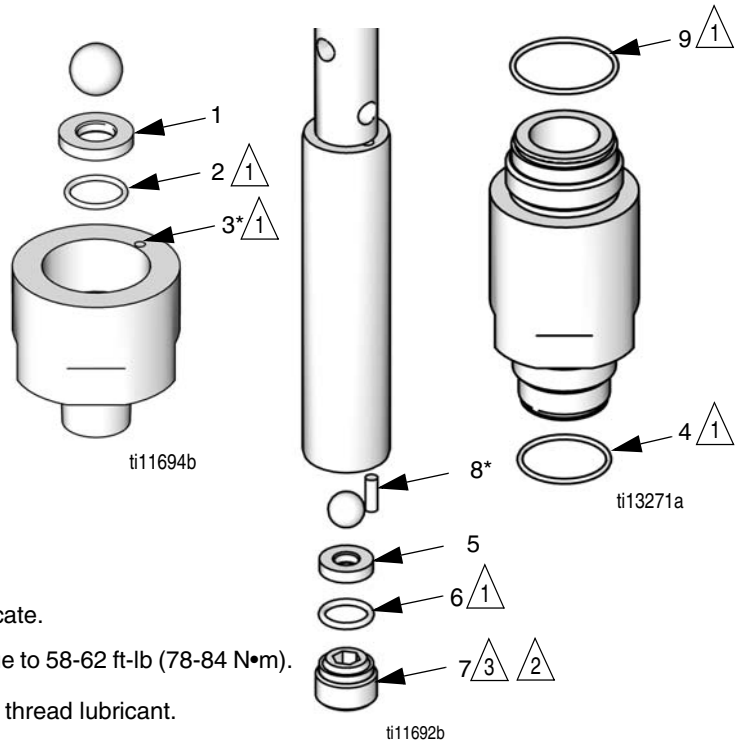
Ref.	Description	Qty.
1	SEAT, 316 stainless steel, intake valve	1
2	O-RING, PTFE, 0.8 in. (20 mm)	1
3*	THREAD LOCKER, nylon	1
4	O-RING, PTFE, 1.25 in. (32 mm)	1
5	SEAT, 316 stainless steel, piston valve	1
6	O-RING, 0.6 in. (15 mm)	1
7	NUT, flow-through	1
8*	THREAD LOCKER, nylon	1
9	O-RING, PTFE, 1.4 in. (37 mm)	1

* Remove and replace only if damaged.

1 Lubricate.

2 Torque to 58-62 ft-lb (78-84 N•m).

3 Apply thread lubricant.



Graco Inc. P.O. Box 1441 Minneapolis, MN 55440-1441

406788 Rev. B - May 2013

Copyright 2008, Graco Inc. is registered to I.S. EN ISO 9001

