

GENUINE GRACO PARTS AND ACCESSORIES



24A783 Merkur® Carbide Seat Kit

For Merkur LW075A Displacement Pumps

406784A



Important Safety Instructions

Read all warnings and instructions in manuals 312792 and 312794. Save all instructions.

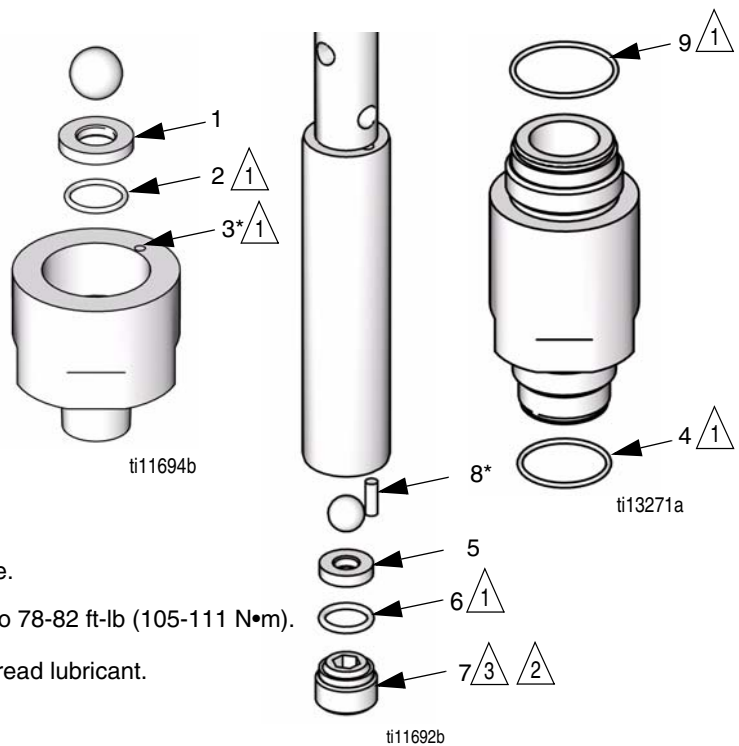
Ref.	Description	Qty.
1	SEAT, carbide, intake valve	1
2	O-RING, PTFE, 0.8 in. (20 mm)	1
3*	THREAD LOCKER, nylon	1
4	O-RING, PTFE, 1.9 in. (48 mm)	1
5	SEAT, carbide, piston valve	1
6	O-RING, 0.9 in. (23 mm)	1
7	NUT, flow-through	1
8*	THREAD LOCKER, nylon	1
9	O-RING, PTFE, 2.0 in. (51 mm)	1

* Remove and replace only if damaged.

1 Lubricate.

2 Torque to 78-82 ft-lb (105-111 N•m).

3 Apply thread lubricant.



Graco Inc. P.O. Box 1441 Minneapolis, MN 55440-1441

406784 Rev, A 12/2008

Copyright 2008, Graco Inc. is registered to I.S. EN ISO 9001

