

GENUINE GRACO PARTS AND ACCESSORIES



# 24A781 Merkur® Carbide Seat Kit

For Merkur LW025A Displacement Pumps

406782A



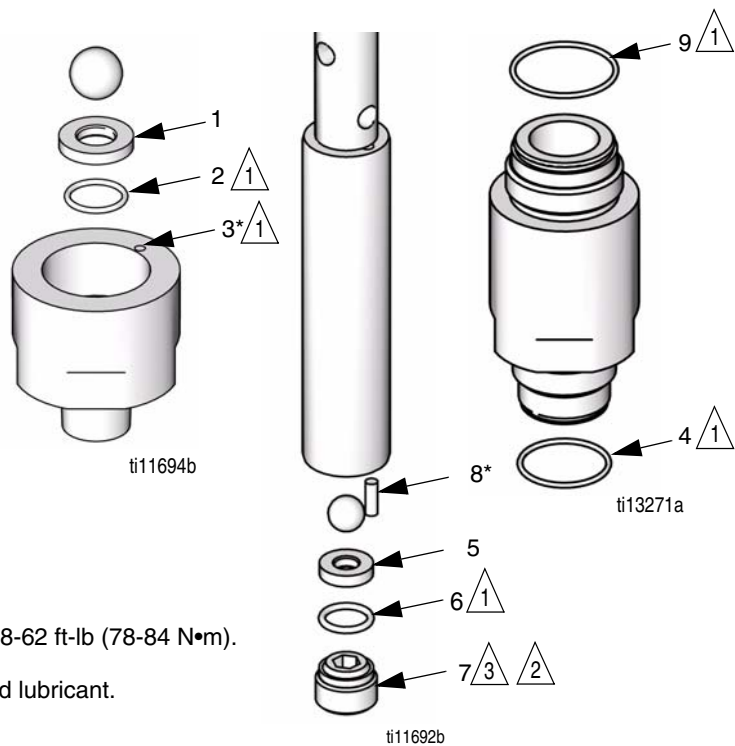
### Important Safety Instructions

Read all warnings and instructions in manuals 312792 and 312794. Save all instructions.

Ref.	Description	Qty.
1	SEAT, carbide, intake valve	1
2	O-RING, PTFE, 0.8 in. (20 mm)	1
3*	THREAD LOCKER, nylon	1
4	O-RING, PTFE, 1.25 in. (32 mm)	1
5	SEAT, carbide, piston valve	1
6	O-RING, 0.6 in. (15 mm)	1
7	NUT, flow-through	1
8*	THREAD LOCKER, nylon	1
9	O-RING, PTFE, 1.4 in. (36 mm)	1

\* Remove and replace only if damaged.

- Lubricate.
- Torque to 58-62 ft-lb (78-84 N•m).
- Apply thread lubricant.



Graco Inc. P.O. Box 1441 Minneapolis, MN 55440-1441

406782 Rev, A 12/2008

Copyright 2008, Graco Inc. is registered to I.S. EN ISO 9001

