

GENUINE GRACO PARTS AND ACCESSORIES



# 24A670 Merkur<sup>®</sup> Carbide Check Balls Kit

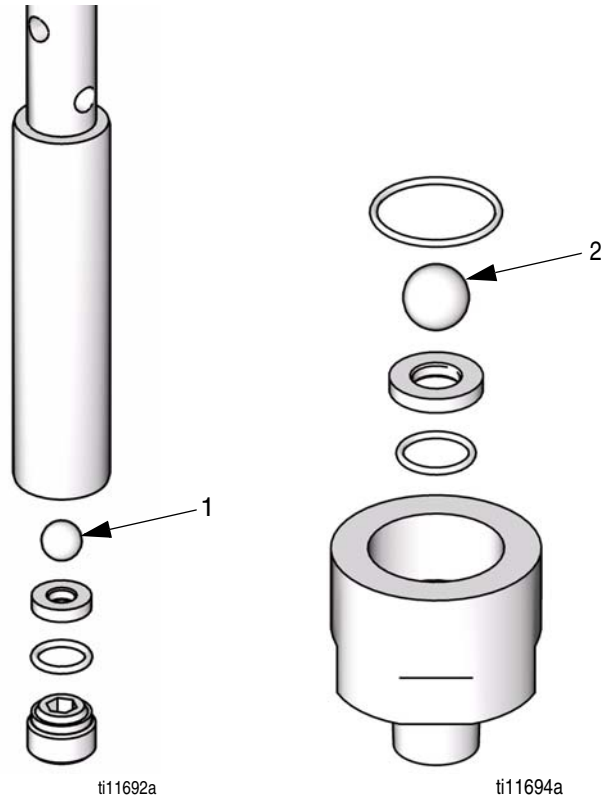
For Merkur LW100A, LW125A, and LW150A Displacement Pumps 406781A



### Important Safety Instructions

Read all warnings and instructions in manuals 312792 and 312794. Save all instructions.

Ref.	Description	Qty.
1	BALL, piston valve check, carbide, 9/16 in. (14 mm)	1
2	BALL, intake valve check, carbide, 7/8 in. (22 mm)	1



Graco Inc. P.O. Box 1441 Minneapolis, MN 55440-1441

406781 Rev, A 12/2008

Copyright 2008, Graco Inc. is registered to I.S. EN ISO 9001

