

Air Valve End Cap Kits

406749D

EN



Important Safety Instructions

Read all warnings and instructions in this manual and in your air motor or pump manual. Save all instructions.

Parts

Kits 24A360, 24A361, 24C053, and 24D734

Standard air valves - for systems with no DataTrak or with DataTrak with Cycle Count Only.

Ref.	Description	Qty.
1	CAP, air valve	2
2	RING, snap	2
3	O-RING	2

Kits 24A362, 24A363, 24C054

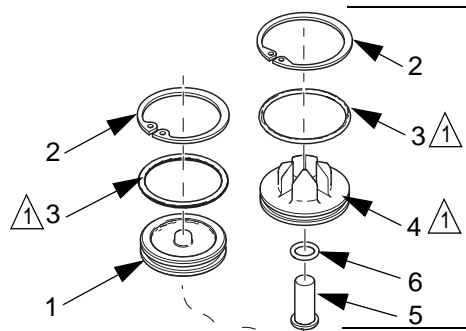
Air valves compatible with DataTrak with Runaway Protection.

Ref.	Description	Qty.
1	CAP, air valve	1
2	RING, snap	2
3	O-RING	2
4	CAP, air valve, with center hole	1
5	BUTTON, solenoid release	1
6	O-RING	1

Kit 262610

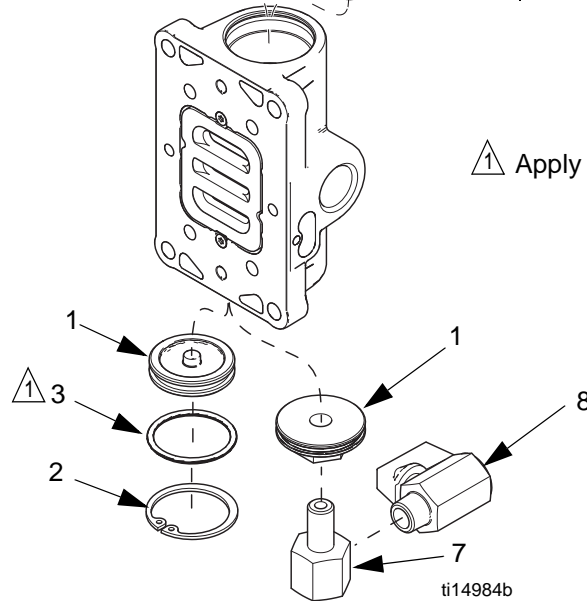
Air valves compatible with cycle count only, park-lowers.

Ref.	Description	Qty.
1	CAP, 1/8 npt for Park	1
2	RING, snap	2
3	O-RING	2
4	CAP, air valve, with center hole	1
5	BUTTON, solenoid release	1
6	O-RING	1
7	FITTING, elbow 1/8 x 1/4	1
8	VALVE, ball 1/4	1



For Models compatible with DataTrak with Runaway Protection or Cycle Count only

△ 1 Apply lubricant.



Kit 25M285

Air valves for CSA-Compliant pumps

Ref.	Description	Qty.
1	CAP, air valve, aluminum	2
2	RING, snap	2
3	O-RING	2