

GENUINE GRACO PARTS AND ACCESSORIES

248442 TUFF STACK™ REPAIR KIT

For HydraMix™ Displacement Pumps



Read warnings and instructions.
Refer to manual 310662.

406595D

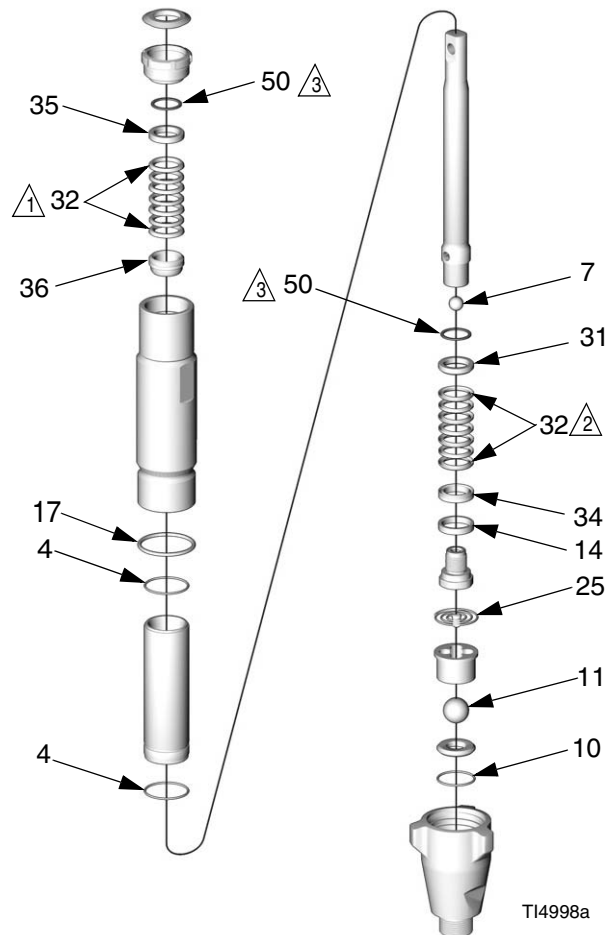
EN

Ref. No.	Part No.	Description	Qty.
4	108822	O-RING; PTFE	2
7	107203	BALL, piston; sst; 0.5625 in. (14 mm)	1
10	107098	O-RING; PTFE	1
11	107167	BALL, intake; sst; 1 in. (25 mm)	1
14	198303	GUIDE, piston	1
17	160325	O-RING; Buna-N	1
25	245256	SPRING, intake ball	1
31	189585	GLAND, male, piston	1
32	15D910	V-PACKING; carbon-filled PTFE	14
34	198765	GLAND, female, piston	1
35	15E009	GLAND, female, throat	1
36	198768	GLAND, male, throat	1
50	24U084	KIT, WASHER; brass (4 pack)	1

△₁ Lips face down.

△₂ Lips face up.

△₃ Add washers (50) as needed to reduce clearance within packing stacks. Compression of packings up to 1/4 turn tighter than fingertight is permissible.



Graco Inc. P.O. Box 1441 Minneapolis, MN 55440-1441

Printed in USA 406595 October 2013

Copyright 2004, Graco Inc. is registered to I.S. EN ISO 9001