

Kit



# Lower Cylinder Kit

---

407041A  
EN

For replacing the lower cylinder on the 100cc U-Cup Displacement Pump.

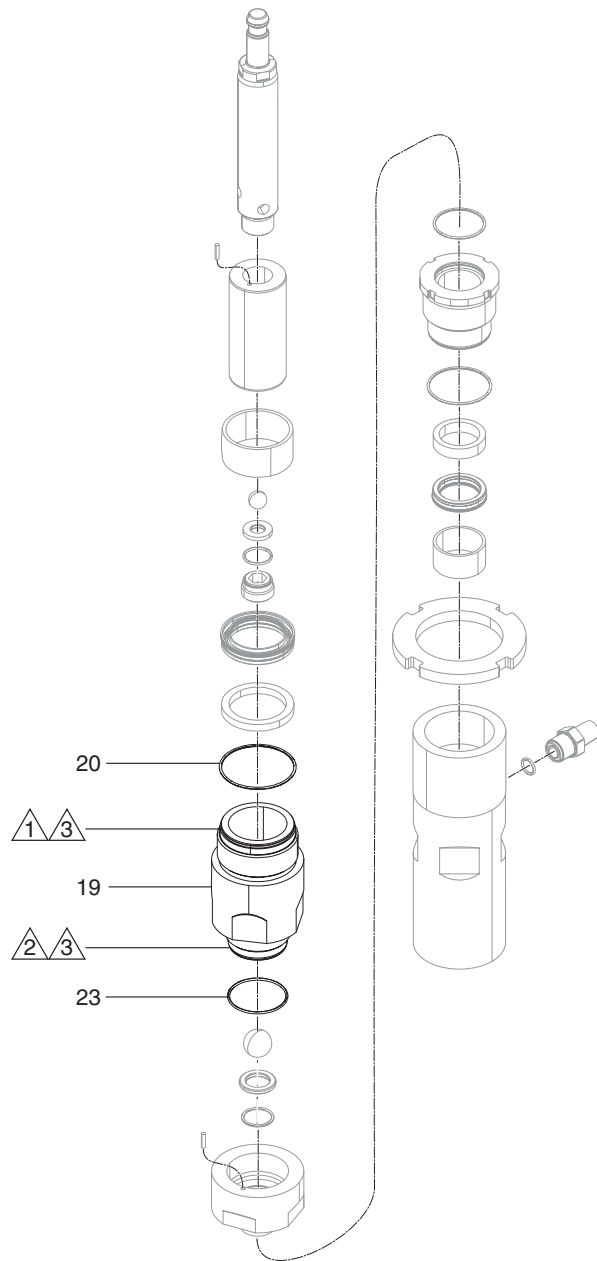


## **Important Safety Instructions**

Read all warnings and instructions in FRP system manual. **Save all instructions.**

Part No. 16P063

# Parts



- △1 Torque to 90.5-109.5 ft-lb (122-148.5 N•m).
- △2 Torque to 74-86 ft-lb (100-117 N•m).
- △3 Apply lubricant to threads.

Ref	Part	Description	Qty
19	---	CYLINDER, lower, 100cc, carbon steel	1
20	---	O-RING	1
23	---	O-RING	1
---	See FRP system manual.		

All written and visual data contained in this document reflects the latest product information available at the time of publication.

Graco reserves the right to make changes at any time without notice.

For patent information, see [www.graco.com/patents](http://www.graco.com/patents).

Original Instructions. This manual contains English. MM 407041

**Graco Headquarters:** Minneapolis

**International Offices:** Belgium, China, Japan, Korea

**GRACO INC. AND SUBSIDIARIES • P.O. BOX 1441 • MINNEAPOLIS MN 55440-1441 • USA**

Copyright 2012, Graco Inc. All Graco manufacturing locations are registered to ISO 9001.

[www.graco.com](http://www.graco.com)