

Kit



Wet Cup Kit

407040A
EN

For replacing the wet cup in the 100cc U-Cup Displacement Pump.

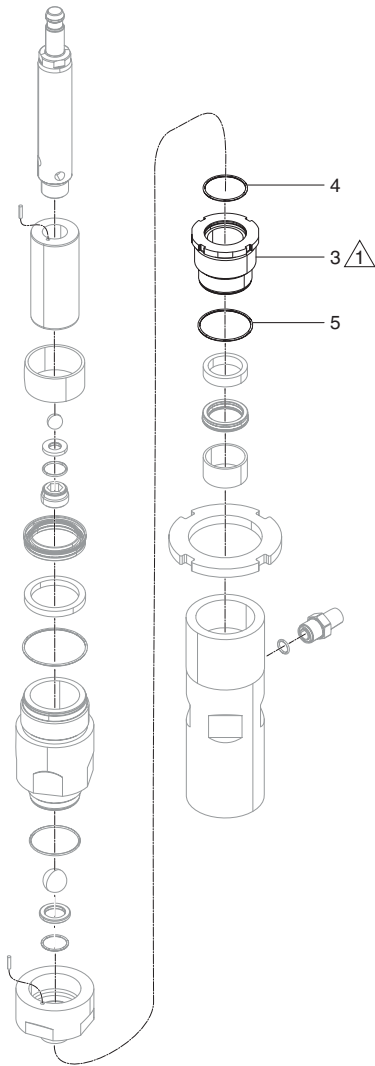


Important Safety Instructions


Read all warnings and instructions in FRP system manual. **Save all instructions.**

Part No. 16P062

Parts



| Ref | Part | Description | Qty |
|-----|---------------|-------------------------------|-----|
| 3 | --- | CUP, wet, 100cc, carbon steel | 1 |
| 4 | --- | O-RING | 1 |
| 5 | --- | O-RING, PTFE | 1 |
| --- | Not for sale. | | |

 Apply lubricant to threads.

All written and visual data contained in this document reflects the latest product information available at the time of publication.

Graco reserves the right to make changes at any time without notice.

For patent information, see www.graco.com/patents.

Original Instructions. This manual contains English. MM 407040

Graco Headquarters: Minneapolis

International Offices: Belgium, China, Japan, Korea

GRACO INC. AND SUBSIDIARIES • P.O. BOX 1441 • MINNEAPOLIS MN 55440-1441 • USA

Copyright 2012, Graco Inc. All Graco manufacturing locations are registered to ISO 9001.

www.graco.com