

Kit



FRP Heater Kits

407042A
EN

For mounting a heater on the FRP system.



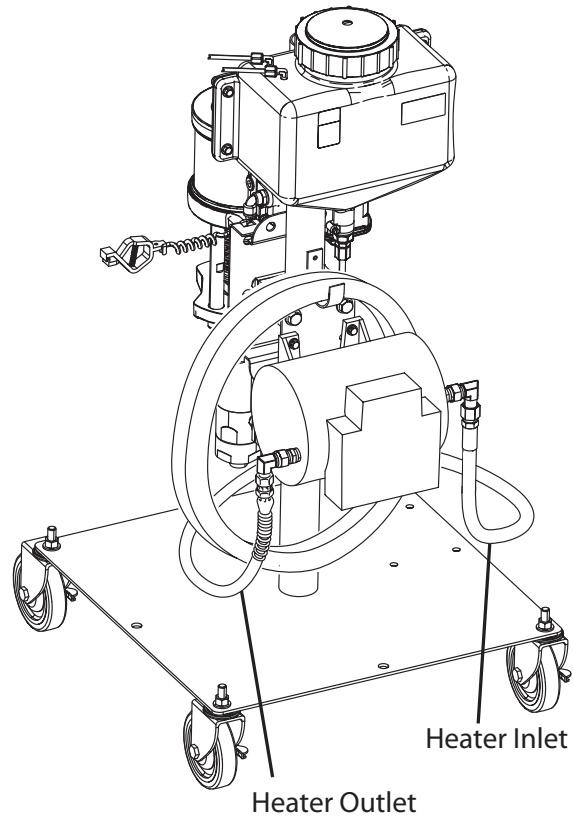
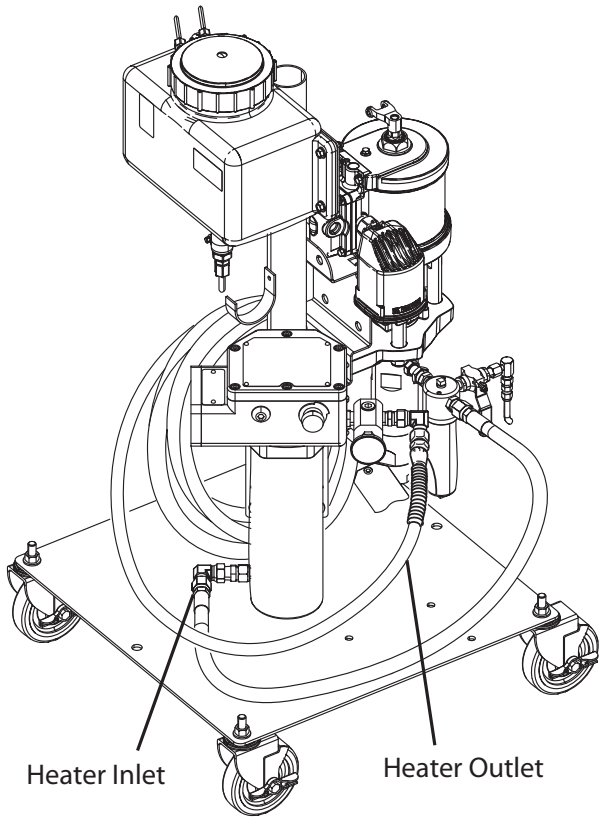
Important Safety Instructions

Read all warnings and instructions in FRP system manual. **Save all instructions.**

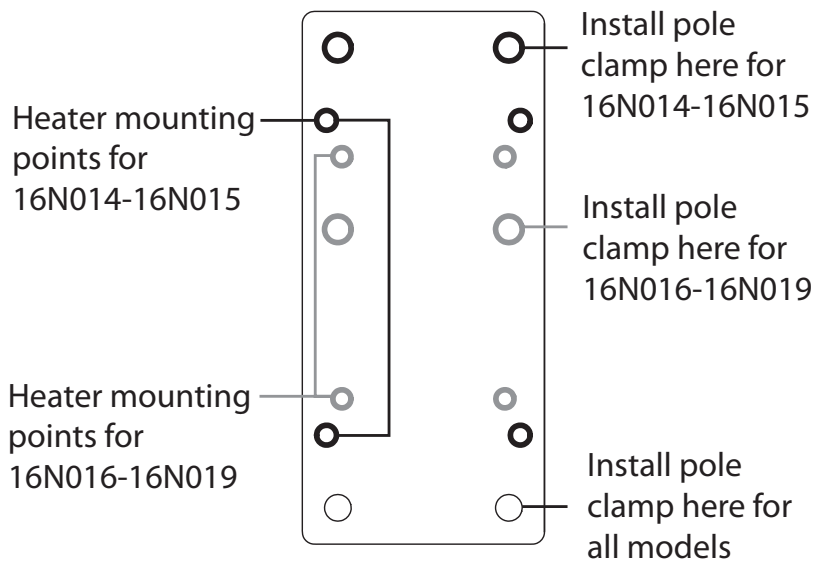
Part No. 16N014, 16N015, 16N016,
16N017, 16N018, 16N019

Installation

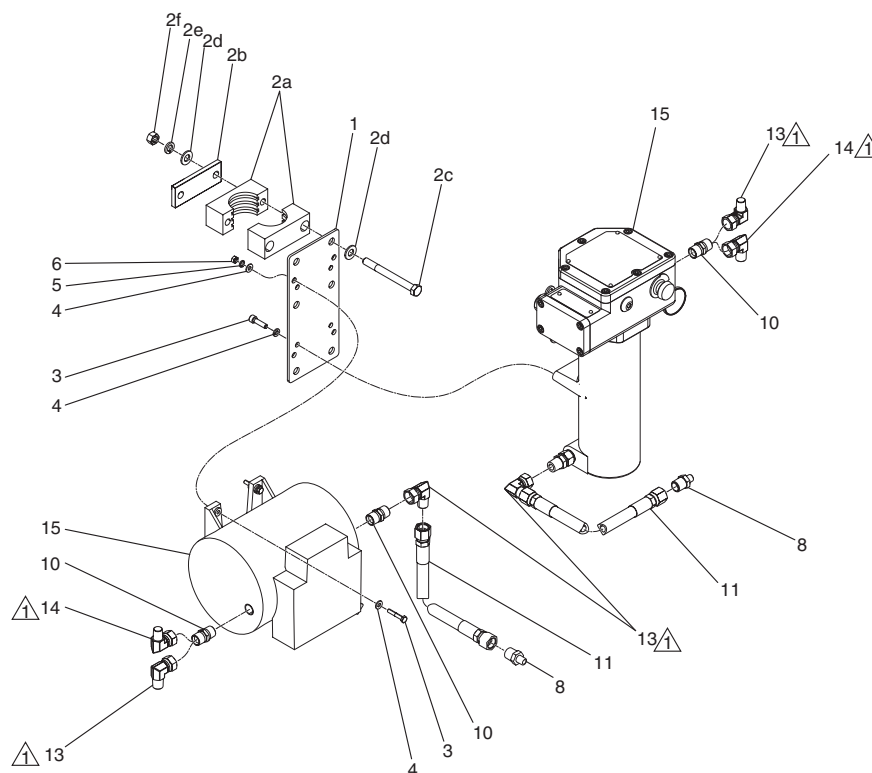
Note the position of the heater relative to the pump and tank.



Heater Mounting Bracket (Ref. 1)



Parts



Use 1/2–14 npt x 3/8–18 npt fitting for gel systems.
Use 1/2–14 npt x 1/2–14 npt fitting for chop systems.

Ref	Part	Description	Qty	Ref	Part	Description	Qty
1◆	16N013	BRACKET, heater	1	11◆	H55003	HOSE, coupled, 5600 psi	1
2◆	16P291	KIT, pipe clamp	2	12◆	- - -	TAPE, ptfе	1
2a	19891-00	CLAMP, pipe, set	1	13◆	155470	SWIVEL, union, 90 degree	2
2b	19892-00	PLATE, cover, clamp	1	14◆	217430	SWIVEL, union, 90 degree	1
2c	115211	SCREW, cap, hex head	2	15	226816	HEATER (kit 16N014)	1
2d	113962	WASHER, hardened	4		226819	HEATER (kit 16N015)	1
2e	100018	WASHER, lock, spring	2		245848	HEATER (kit 16N016)	1
2f	100321	NUT	2		245863	HEATER (kit 16N017)	1
3◆	100058	SCREW, cap, hex head	4		245867	HEATER (kit 16N018)	1
4◆	110755	WASHER, plain	8		245869	HEATER (kit 16N019)	1
5◆	100016	WASHER, lock	4				
6◆	100015	NUT, hex, mscr	4	- - -		Not for sale.	
8◆	162449	NIPPLE, reducing	1	◆		Parts available in heater hardware kit 16N119.	
9◆	159239	NIPPLE, pipe, reducing	1				
10◆	158491	NIPPLE	2				

Graco Information

For the latest information about Graco products, visit www.graco.com.

To place an order, contact your Graco Distributor or call to identify the nearest distributor.

Phone: 612-623-6921 **or Toll Free:** 1-800-328-0211 **Fax:** 612-378-3505

All written and visual data contained in this document reflects the latest product information available at the time of publication.

Graco reserves the right to make changes at any time without notice.

For patent information, see www.graco.com/patents.

Original Instructions. This manual contains English. MM 407042

Graco Headquarters: Minneapolis

International Offices: Belgium, China, Japan, Korea

GRACO INC. AND SUBSIDIARIES • P.O. BOX 1441 • MINNEAPOLIS MN 55440-1441 • USA

Copyright 2012, Graco Inc. All Graco manufacturing locations are registered to ISO 9001.

www.graco.com