

Kit



FRP Roving Box Bracket Kit

407021A
EN

For securing roving box to cart.

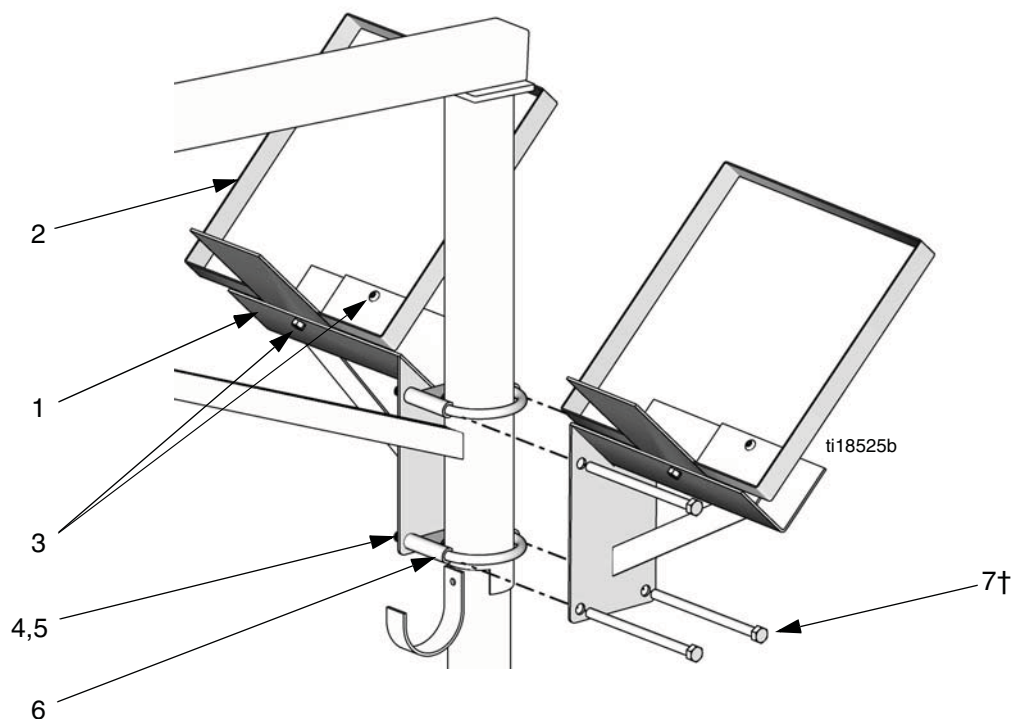


Important Safety Instructions

Read all warnings and instructions in FRP system manual. **Save all instructions.**

Part No. 16M961

Parts



NOTE: Second roving box shown for reference only to illustrate installation.

Ref	Part	Description	Qty	Ref	Part	Description	Qty
				5	112248	NUT, hex	2
1	16M619	BRACKET, roving	1	6	16M965	CLAMP, u-bolt	2
2	16M622	BRACE, roving box	1	7†	15J889	SCREW, hex	2
3	122741	SCREW, hex cap, 1/4 x 0.50	2	†	Long bolts are only used if two kits will be installed side by side.		
4	104123	WASHER, lock, spring	2				

All written and visual data contained in this document reflects the latest product information available at the time of publication.

Graco reserves the right to make changes at any time without notice.

For patent information, see www.graco.com/patents.

Original Instructions. This manual contains English. MM 407021

Graco Headquarters: Minneapolis

International Offices: Belgium, China, Japan, Korea

GRACO INC. AND SUBSIDIARIES • P.O. BOX 1441 • MINNEAPOLIS MN 55440-1441 • USA

Copyright 2012, Graco Inc. All Graco manufacturing locations are registered to ISO 9001.

www.graco.com