

# 16K979 FRP Check Valve Kit

406952B

EN

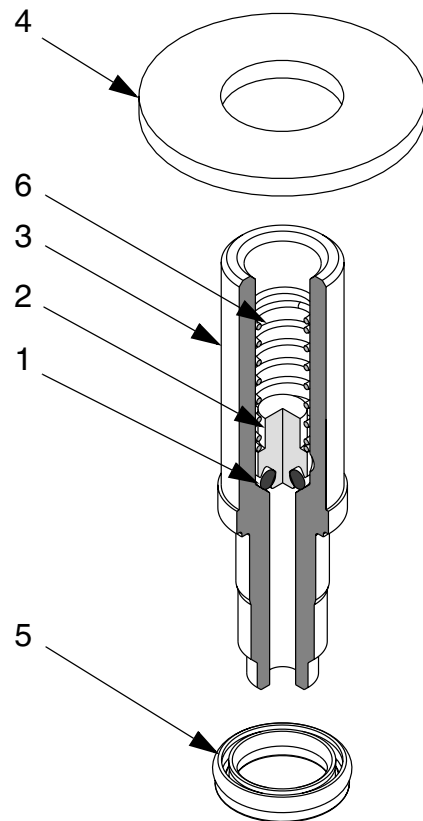
*To replace the current check valve on FRP slave pumps .*



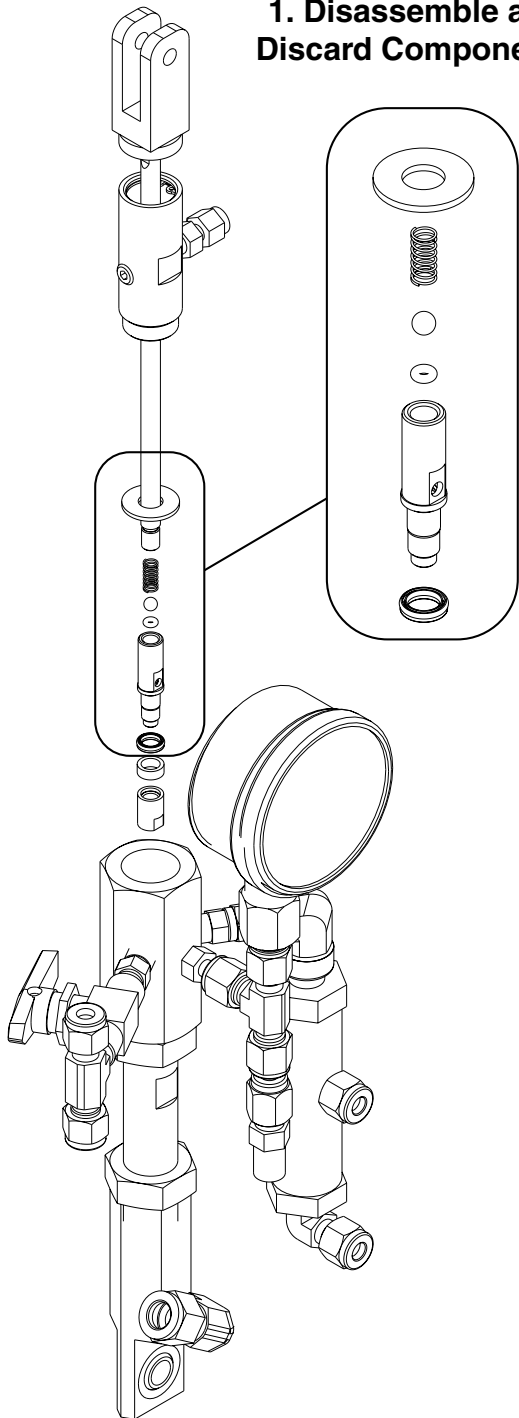
**Important Safety Instructions**

Read all warnings and instructions in manual 3A1218. Save those instructions.

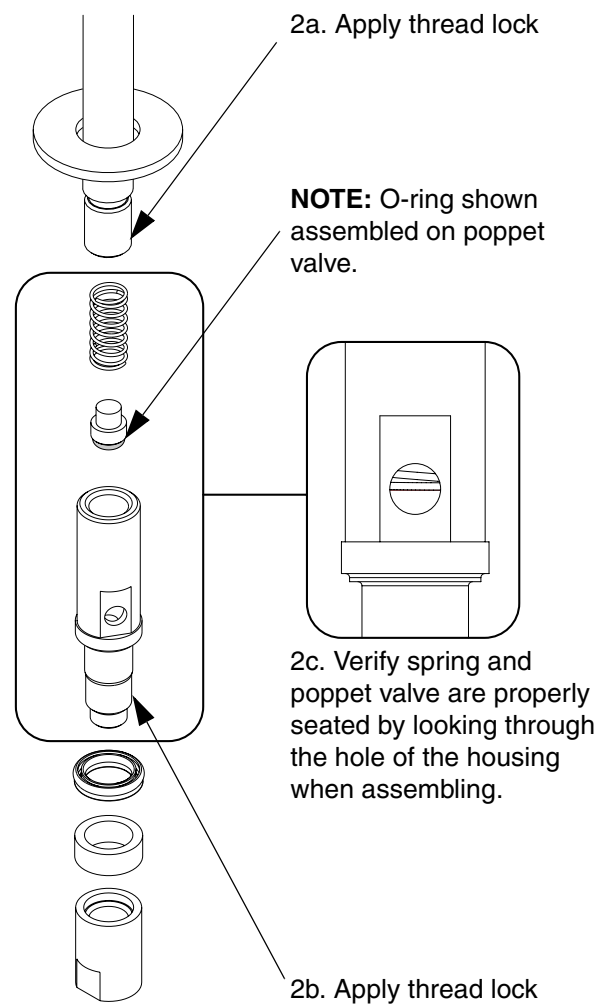
Ref.	Part No.	Description	Qty.
1	123934	O-RING, 003	1
2	16K928	VALVE, poppet	1
3	16K960	HOUSING, transfer	1
4	LPA-130-04	WASHER, crush, poly	1
5	LPA-126	SEAL, radial	1
6	LPA-123	SPRING, compression	1



### 1. Disassemble and Discard Components



### 2. Assemble As Shown with Kit Components



All written and visual data contained in this document reflects the latest product information available at the time of publication. Graco reserves the right to make changes at any time without notice.

Original instructions. This manual contains English. MM 406952

**Graco Headquarters:** Minneapolis  
**International Offices:** Belgium, China, Japan, Korea

**GRACO INC. AND SUBSIDIARIES • P.O. BOX 1441 • MINNEAPOLIS MN 55440-1441 • USA**

Copyright 2011, Graco Inc. All Graco manufacturing locations are registered to ISO 9001.

www.graco.com  
Revised 12/2011