

Parts



Ultimate NOVA™ 395

Ultimate Super NOVA™ 495/595

Ultimate MX II 490/495/595

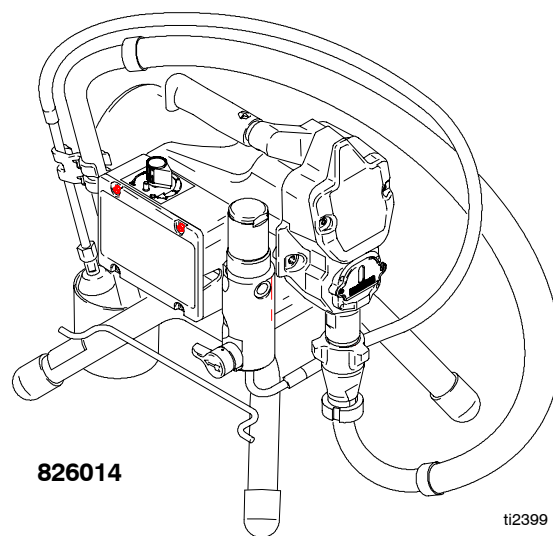
309704R

EN

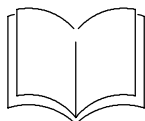
3300 psi (228 bar, 22.8 MPa) Maximum Working Pressure

120 VAC

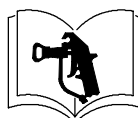
Ultimate	Stand	Series	Lo-boy	Series	Hi-boy	Series
NOVA 395™	826014	B	826015	B	826016	B
Super NOVA 495™	826017	A	826018	A	826019	A
Super NOVA 595™			826052	A	826046	A
MX II 490™	825028	C	825029	C	825036	C
MX II 495™	825037	C	825038	C	825039	C
MX II 595™			825046	B	825045	B



Related manuals



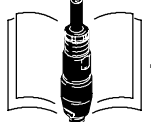
..... 309365
..... 309665



..... 311861



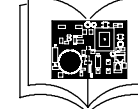
..... 309713



..... 309250



..... 309055



..... 309709

PROVEN QUALITY. LEADING TECHNOLOGY.

Parts List - Ultimate Nova/Super Nova Stand Sprayers

395: 826014, A, B

495: 826017, A

Ref.	Part	Description	Qty.	Ref.	Part	Description	Qty.
1	107434	BEARING, thrust	1	45	287003	HOSE, cpld	1
2	117828	PACKING, o-ring	1	46	240794	HOSE, cpld, 1/4 in. x 50 ft	1
3	111457	PACKING, o-ring	1	47	117493	SCREW, mach, hex washer hd	11
4	111600	PIN, grooved	1	52		LABEL, front, SW	
5	111699	GASKET, seat, valve	1		15B256	395	1
8	116073	WASHER, thrust	1		15B257	495	1
9	116074	WASHER, thrust	1	53		LABEL, side, SW	1
10	116079	BEARING, thrust	2		15B848	395	1
12	117501	SCREW, mach, hex washer hd	6		15B496	495	1
14	117559	O-RING	2	54		MOTOR, 110V	
15	15G455	MANIFOLD, fluid	1		287015*	395 and 495	1
16	246384†	FILTER, fluid, 60 mesh	1			includes 77	
17	287167	CAP, manifold	1	55	246381	HOSE, drain, stand	1
20	15B120	GROMMET, transducer	1			includes 39, 62	
22	15B254	COVER, front, Graco, paint	1	57	246385	STRAINER, 7/8-14 unf	1
23	287056	SHIELD, motor, painted	1	59	15E823	FRAME, standmount	1
24	162453	NIPPLE, (1/4 npsm x 1/4 npt)	2	60	246386	KIT, hose suction	1
25	180131	BEARING, thrust	1			includes 14, 57, 62, 76	
26	15E022	SEAT, valve	1	61	826085	GUN, Contractor II	1
27	187625	HANDLE, valve, drain	1			(includes manual 311861)	
29	195150	NUT, jam, pump	1	62	276888	CLIP, drain line	1
31	196750	SPRING, retaining	1	63	15B516▲	LABEL, danger	1
32	196762	PIN, straight	1	65	195833▲	LABEL, warning	1
33	206994	FLUID, TSL	1	66	116139	GRIP, handle	1
35	235014	VALVE, drain	1	67	15G857	CAP, leg	4
		includes 5, 26		68	15G838	CUP, suction/drain	1
36	224807	BASE, valve	1	69	287072	HANDLE, sprayer	1
38	243222	TRANSDUCER, pressure control	1			includes 47, 66	
		includes 3		70	15B589	COVER, pump rod	1
39	241920	DEFLECTOR, threaded	1	71	122667	SCREW, drill, hex washer head	1
40	244242	GEAR, reducer	1	76	115099	WASHER, garden hose	1
		includes 8, 10		77	248189	FAN, motor	1
41	246428	PUMP, displacement (includes 32)	1				
42	287055	HOUSING, drive	1				
		includes 12, 70					
43	287053	ROD, connecting	1				
		includes 31, 32					
44	287054	GEAR, crankshaft	1				
		includes 1, 9, 25					

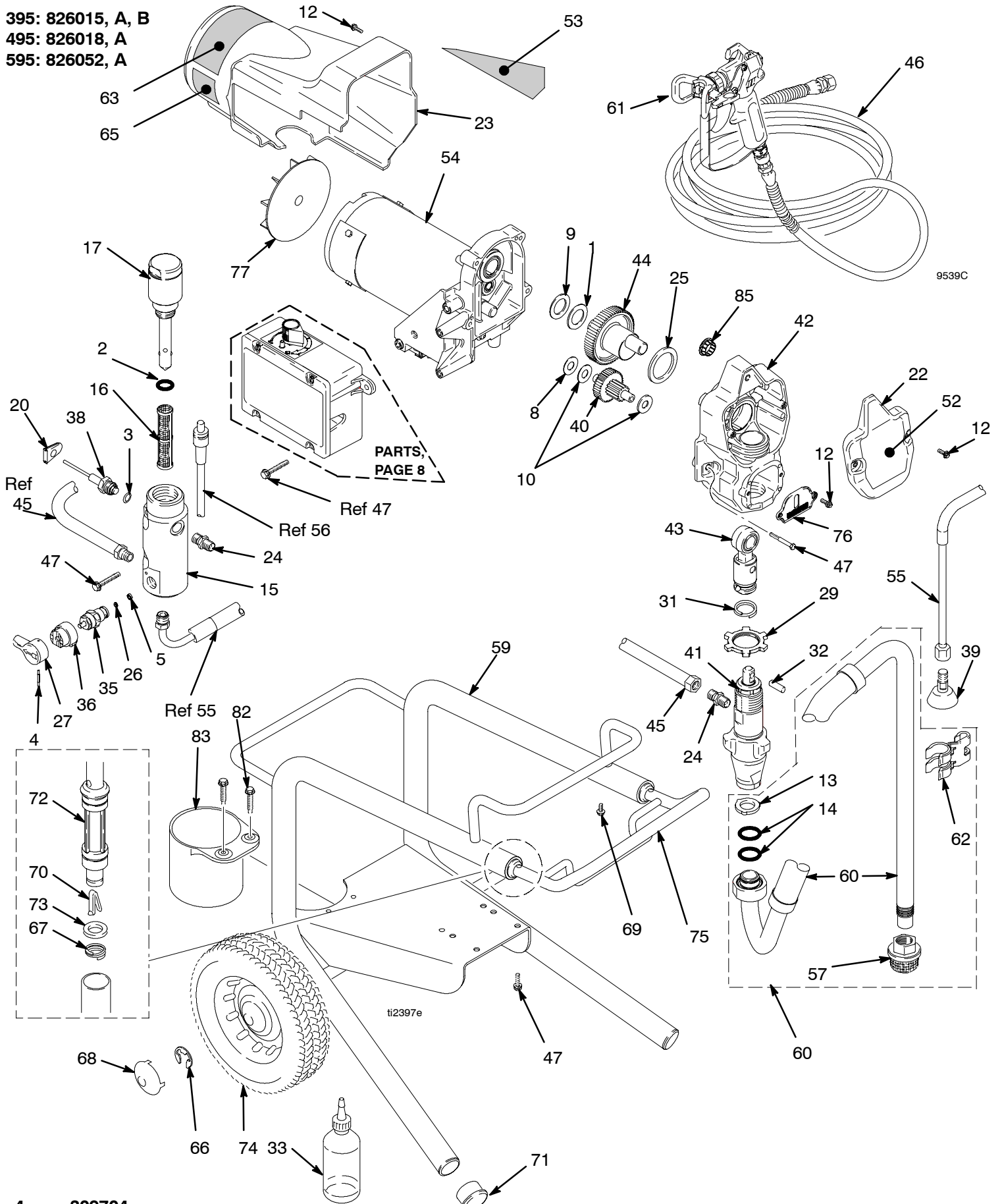
▲Extra Danger and Warning tags and labels available free.

* Motor Brush Kit 287735 is available.

† Other filters available: 246382, 100 mesh; 246383, 200 mesh; 246425, 30 mesh

Parts Drawing - Ultimate Nova/Super Nova Lo-Boy Sprayers

395: 826015, A, B
 495: 826018, A
 595: 826052, A



Parts List - Ultimate Nova/Super Nova Lo-Boy Sprayers

395: 826015, A, B

495: 826018, A

595: 826052, A

Ref.	Part	Description	Qty.	Ref.	Part	Description	Qty.
1	107434	BEARING, thrust	1	46	240794	HOSE, cpld, 1/4 in. x 50 ft	1
2	117828	PACKING, o-ring	1	47	117493	SCREW, mach, hex washer hd	10
3	111457	PACKING, o-ring	1	52		LABEL, front, SW	
4	111600	PIN, grooved	1		15B257	495	1
5	111699	GASKET, seat, valve	1		15D164	595	1
8	116073	WASHER, thrust	1	53		LABEL, side, SW	
9	116074	WASHER, thrust	1		15B848	395	
10	116079	BEARING, thrust	2		15B496	495	1
12	117501	SCREW, mach, hex washer hd	6		15D168	595	1
13	115099	WASHER, garden hose	1	54		MOTOR, 110V; includes 77	1
14	117559	O-RING	2		287015*	395 and 495	1
15	15G455	MANIFOLD, fluid	1		248184*	595	1
16	246384†	FILTER, fluid, 60 mesh	1	55	246381	HOSE, drain, stand	1
17	287167	CAP, manifold	1			includes 39, 62	
20	15B120	GROMMET, transducer	1	57	246385	STRAINER, 7/8-14 unf	1
22	287058	COVER, front, Graco, paint	1	59	246250	FRAME, cart, LO	1
		includes 12		60	246386	KIT, hose suction	1
23	287056	SHIELD, motor, painted	1			includes 13, 14, 57, 62	
		includes 12, 63, 65		61	826085	GUN, Contractor II	1
24	162453	NIPPLE, (1/4 npsm x 1/4 npt)	2			(includes manual 311861)	
25	180131	BEARING, thrust	1	62	276888	CLIP, drain line	1
26	15E022	SEAT, valve	1	63▲	15B516	LABEL, danger	1
27	187625	HANDLE, valve, drain	1	65▲	195833	LABEL, warning	1
29	195150	NUT, jam, pump	1	66	15B999	CLIP, retaining	2
31	196750	SPRING, retaining	1	67	103117	RING, retaining	2
32	196762	PIN, straight	1	68	104811	CAP, hub	2
33	206994	FLUID, TSL	1	69	109032	SCREW, pan hd	4
35	235014	VALVE, drain	1	70	178565	BUTTON, snap	2
		includes 5, 26		71	180656	PLUG, button	2
36	224807	BASE, valve	1	72	195501	SLEEVE, cart	2
38	243222	TRANSDUCER, pressure control	1	73	195673	WASHER	2
		includes 3		74	195766	WHEEL, semi pneumatic	2
39	241920	DEFLECTOR, threaded	1	75	243205	HANDLE, assembly	1
40	244242	GEAR, reducer	1	76	15B589	COVER, pump rod	1
		includes 8, 10		77	248189	FAN, motor	1
41	246428	PUMP, displacement	1	82	122667	SCREW, drill	2
42	287055	HOUSING, drive	1	83	15B870	CUP, suction/drain	1
		includes 12, 47, 76		85	115979	PLUG, hole	1
43	287053	ROD, connecting	1				
		includes 31, 32					
44		GEAR, crankshaft, includes 1, 9, 25					
	287054	395 and 495	1				
	248231	595	1				
45	287003	HOSE, cpld	1				

▲Extra Danger and Warning tags and labels available free.

* Motor Brush Kit 287735 is available

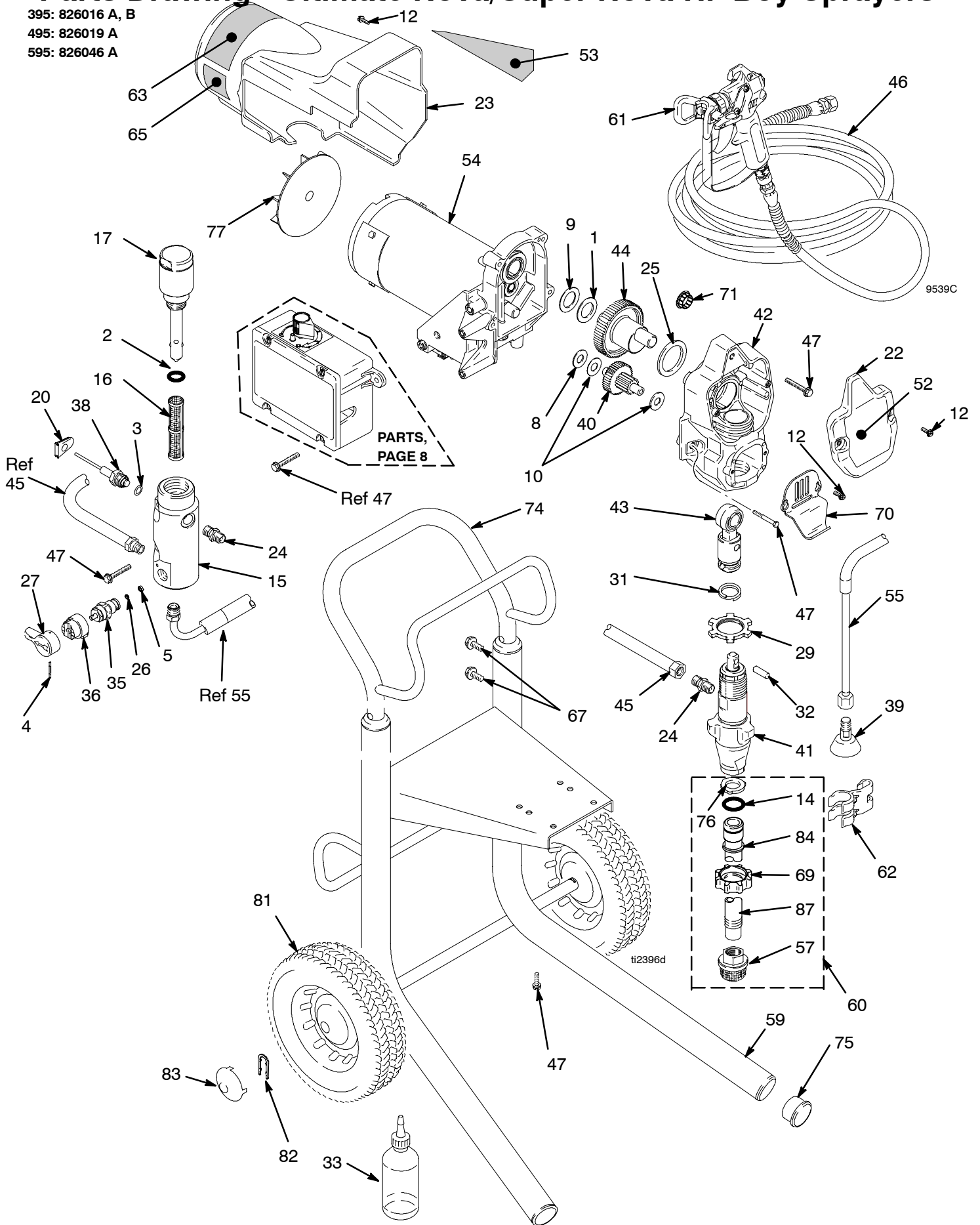
† Other filters available: 246382, 100 mesh; 246383, 200 mesh; 246425, 30 mesh

Parts Drawing - Ultimate Nova/Super Nova Hi-Boy Sprayers

395: 826016 A, B

495: 826019 A

595: 826046 A



Parts List - Ultimate Nova/Super Nova Hi-Boy Sprayers

395: 826016, A, B

495: 826019, A,

595: 826046, A

Ref.	Part	Description	Qty.	Ref.	Part	Description	Qty.
1	107434	BEARING, thrust	1	45	287003	HOSE, cpld	1
2	117828	PACKING, o-ring	1	46	240794	HOSE, cpld, 1/4 in. x 50 ft	1
3	111457	PACKING, o-ring	1	47	117493	SCREW, mach, hex washer hd	10
4	111600	PIN, grooved	1	52		LABEL, front, SW	
5	111699	GASKET, seat, valve	1		15B256	395	1
8	116073	WASHER, thrust	1		15B257	495	1
9	116074	WASHER, thrust	1		15D164	595	1
10	116079	BEARING, thrust	2	53		LABEL, side, SW	
12	117501	SCREW, mach, hex washer hd	6		15B848	395	1
14	103413	O-RING	1		15B496	495	1
15	15G455	MANIFOLD, fluid	1		15D168	595	1
16	246384†	FILTER, fluid, 60 mesh	1	54		MOTOR, 110V, includes 77	
17	287167	CAP, manifold	1		287015*	395/495	1
20	15B120	GROMMET, transducer	1		248184*	595	1
22	287058	COVER, front, Graco, paint includes 12	1	55	244240	HOSE, drain, includes 39	1
23	287056	SHIELD, motor, painted includes 12, 63, 65	1	57	246385	STRAINER, 7/8-14 unf	1
24	162453	NIPPLE, (1/4 npsm x 1/4 npt)	2	59	245984	FRAME, cart, HI	1
25	180131	BEARING, thrust	1	60	246387	KIT, stinger tube includes 14, 57, 69, 76, 84, 87	1
26	15E022	SEAT, valve	1	61	826085	GUN, Contractor II (includes manual 311861)	1
27	187625	HANDLE, valve, drain	1	62	276888	CLIP, drain line	1
29	195150	NUT, jam, pump	1	63▲	15B516	LABEL, danger	1
31	196750	SPRING, retaining	1	65▲	195833	LABEL, warning	1
32	196762	PIN, straight	1	67	109032	SCREW, pan hd	4
33	206994	FLUID, TSL	1	69	15E813	NUT, jam	1
35	235014	VALVE, drain includes 5, 26	1	70	15C146	HOOK, pail	1
36	224807	BASE, valve	1	71	115979	PLUG, hole	1
38	243222	TRANSDUCER, pressure control includes 3	1	74	287489	HANDLE	1
39	241920	DEFLECTOR, threaded	1	75	108691	PLUG, tubing	2
40	244242	GEAR, reducer includes 8, 10	1	76	115099	WASHER, garden hose	1
41	246428	PUMP, displacement	1	77	248189	FAN, motor	1
42	287055	HOUSING, drive includes 12, 47	1	81	106062	WHEEL	2
43	287053	ROD, connecting includes 31, 32	1	82	15B999	CLIP, retaining	2
44		GEAR, crankshaft, includes 1, 9, 25		83	104811	CAP, hub	2
	287054	495	1	84	15B652	WASHER, suction	1
	248231	595	1	87	15B506	TUBE, suction	1

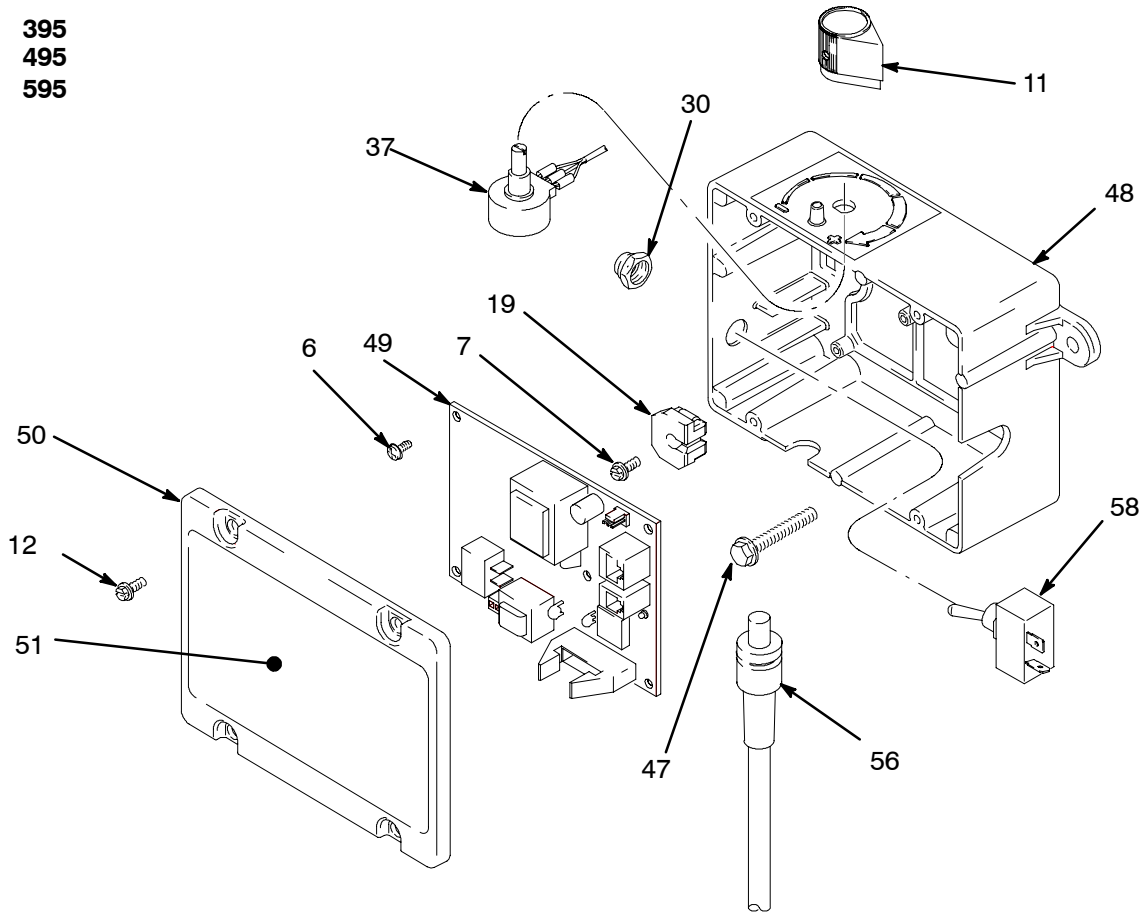
▲Extra Danger and Warning tags and labels available free.

* Motor Brush Kit 287735 is available.

† Other filters available: 246382, 100 mesh; 246383, 200 mesh; 246425, 30 mesh

Parts Drawing - Control Box and Board Ultimate Nova/Super Nova

395
495
595



9537A

Parts List - Control Box and Board Ultimate Nova/Super Nova

395, 495, 595

Ref.	Part	Description	Qty.	Ref.	Part	Description	Qty.
6	115494	SCREW, mach, phillps, pan hd	6	49		CONTROL, board, 110V	
7	115498	SCREW, mch, slot/hex, wash hd	1	246379		395/495	1
11	116167	KNOB, potentiometer	1	248179		595	1
12	117501	SCREW, mach, hex washer hd	4	50	276882	COVER, control	1
19	15B118	BUSHING, motor wire	1	51	15B373	LABEL, control, SW	1
30	195428	BOOT, toggle	1	56		CORD, power	
37	256219	POTENTIOMETER, assembly	1	15J743		395/495, Stand	1
47	117493	SCREW, mach, hex washer hd	2	15D029		595, Lo-boy and Hi-boy	1
48		BOX, control		58	195429	SWITCH, toggle	1
	276868	395/495	1				
	15D313	595	1				

Wiring Diagram - Ultimate Nova/Super Nova

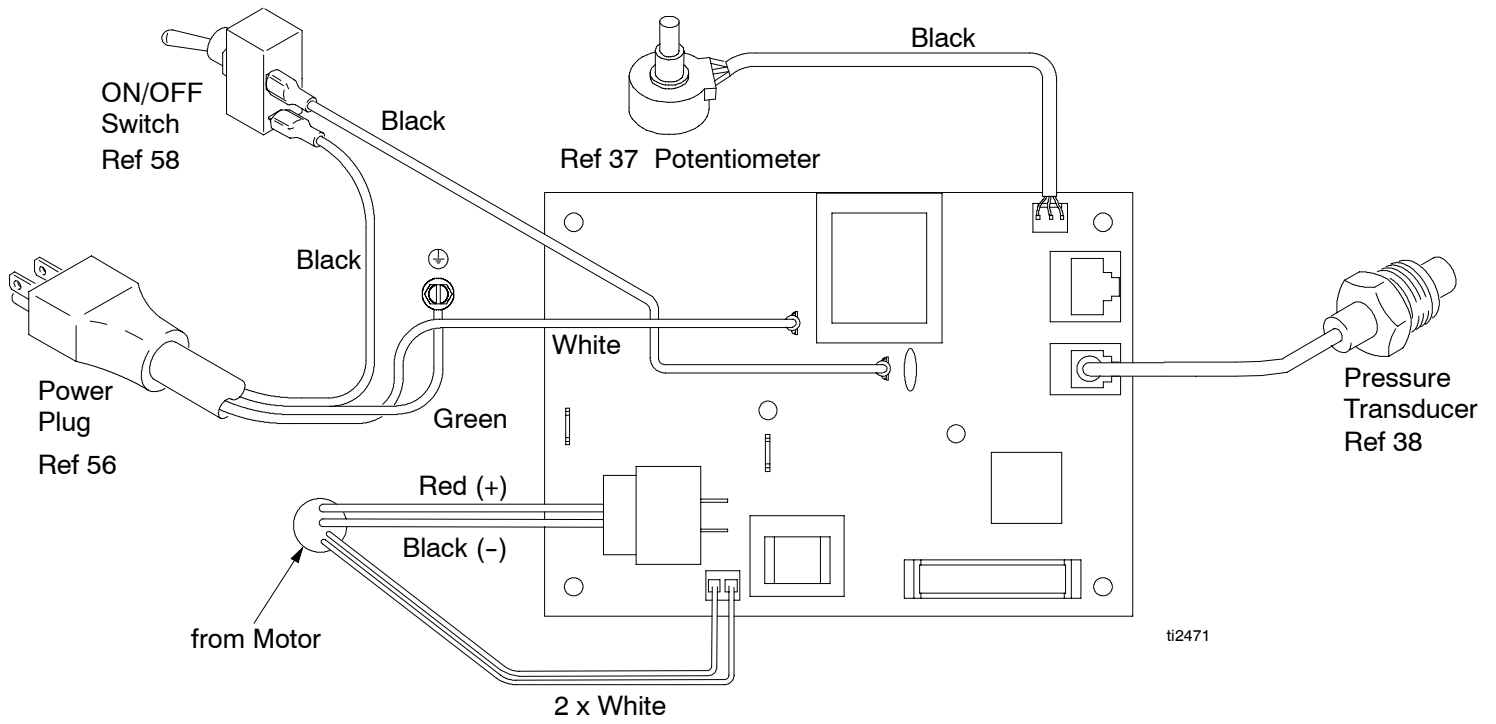
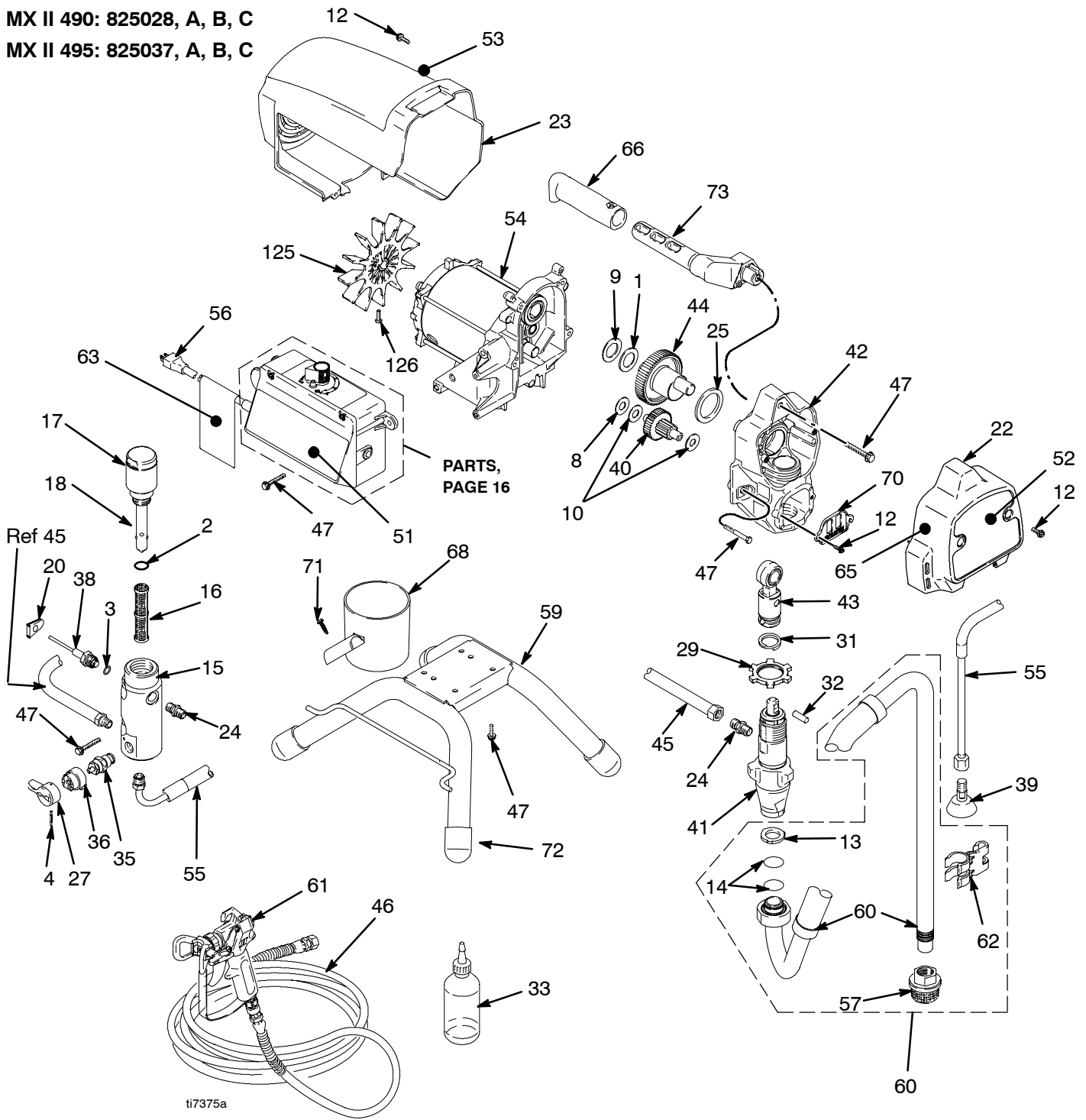


Fig. 1

Parts Drawing - Ultimate MX II Stand Sprayers

MX II 490: 825028, A, B, C

MX II 495: 825037, A, B, C



Parts List - Ultimate MX II Stand Sprayers

MX II 490: 825028, A, B, C

MX II 495: 825037, A, B, C

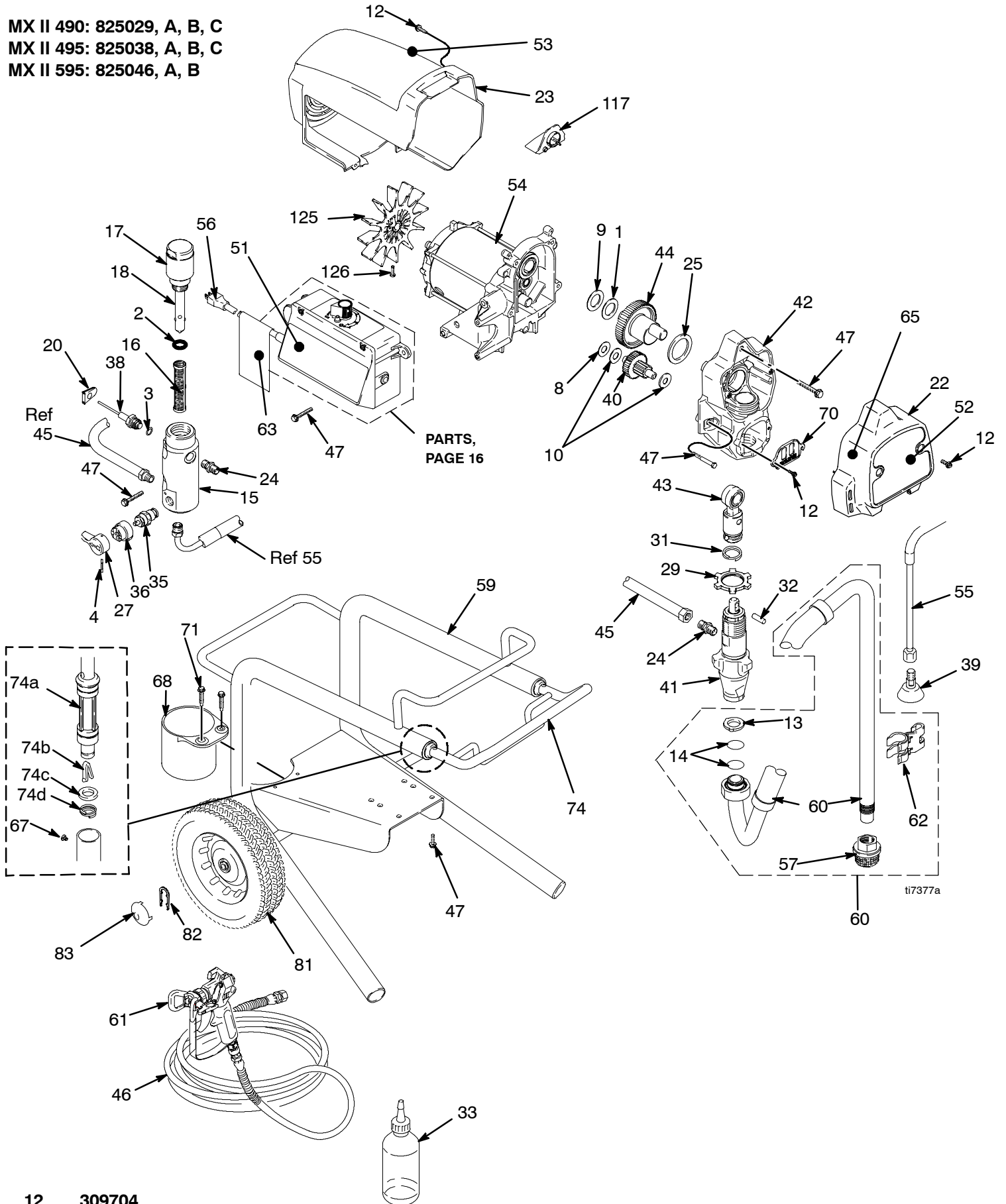
Ref.	Part	Description	Qty.	Ref.	Part	Description	Qty.
1	107434	BEARING, thrust	1	45	287003	HOSE, cpld	1
2	117828	PACKING, o-ring	1	46	240794	HOSE, cpld, 1/4 in. x 50 ft	1
3	111457	PACKING, o-ring	1	47	117493	SCREW, mach, hex washer hd	13
4	111600	PIN, grooved	1	51	15G830	LABEL, MX II Smart Control	1
8	116073	WASHER, thrust	1	52		LABEL, front	
9	116074	WASHER, thrust	1		15G831	490	1
10	116079	BEARING, thrust	2		15G832	495	1
12	117501	SCREW, mach, hex washer hd	8	53		LABEL, side	1
13	115099	WASHER, garden hose	1		15G834	490	1
14	117559	O-RING	2		15G835	495	1
15	15G455	MANIFOLD, fluid	1	54		MOTOR KIT, 110V (includes 125, 126)	
16	246384†	FILTER, fluid, 60 mesh	1		24R703	490/495 Models, Series A and B (includes control box-not shown)	1
17	15G456	CAP, manifold	1		24S022	490/495 Models, Series C	1
18	287167	INSERT, filter	1	55	246381	HOSE, drain, stand includes 39, 62	1
20	15B120	GROMMET, transducer	1		253366	CORD, power, 490/495 Stand	1
22	287901	COVER, front, paint includes 12, 65	1	56	246385	STRAINER, 7/8-14 unf	1
23	287900	SHIELD, motor, painted, includes 12	1	57	15E823	FRAME, standmount	1
24	162453	NIPPLE, (1/4 npsm x 1/4 npt)	2	59	246386	KIT, hose suction includes 13, 14, 57, 62	1
25	180131	BEARING, thrust	1	60		GUN, includes manual 311861	1
27	187625	HANDLE, valve, drain	1	61	826085	CLIP, drain line	1
29	195150	NUT, jam, pump	1	62	276888	LABEL, danger	1
31	196750	SPRING, retaining	1	63▲	15H085	LABEL, warning	1
32	196762	PIN, straight	1	65▲	195793	GRIP, handle	1
33	206994	FLUID, TSL	1	66	116139	CUP, suction/drain	1
34▲	222385	TAG Warning (not shown)	1	68	15G838	COVER, pump rod	1
35	239914	VALVE, drain	1	70	15B589	SCREW, drill, hex washer head	1
36	224807	BASE, valve	1	71	122667	CAP, leg	4
38	243222	TRANSDUCER, pressure control includes 3	1	72	15G857	HANDLE, sprayer includes 47, 66	1
39	241920	DEFLECTOR, threaded	1	73	276864	FAN, motor	1
40	244242	GEAR, reducer includes 8, 10	1	125	15D088	SCREW	1
41	246428	PUMP, displacement includes 32	1	126	115477		1
42	287899	HOUSING, drive includes 12, 70	1				
43	287053	ROD, connecting includes 31, 32	1				
44	287054	GEAR, crankshaft includes 1, 9, 25	1				

▲ Extra Danger and Warning tags and labels available free.

† Other filters available: 246382, 100 mesh; 246383, 200 mesh; 246425, 30 mesh

Parts Drawing - Ultimate MX II Lo-Boy Sprayers

MX II 490: 825029, A, B, C
 MX II 495: 825038, A, B, C
 MX II 595: 825046, A, B



Parts List - Ultimate MX II Lo-Boy Sprayers

MX II 490: 825029, A, B, C

MX II 495: 825038, A, B, C

MX II 595: 825046, A, B

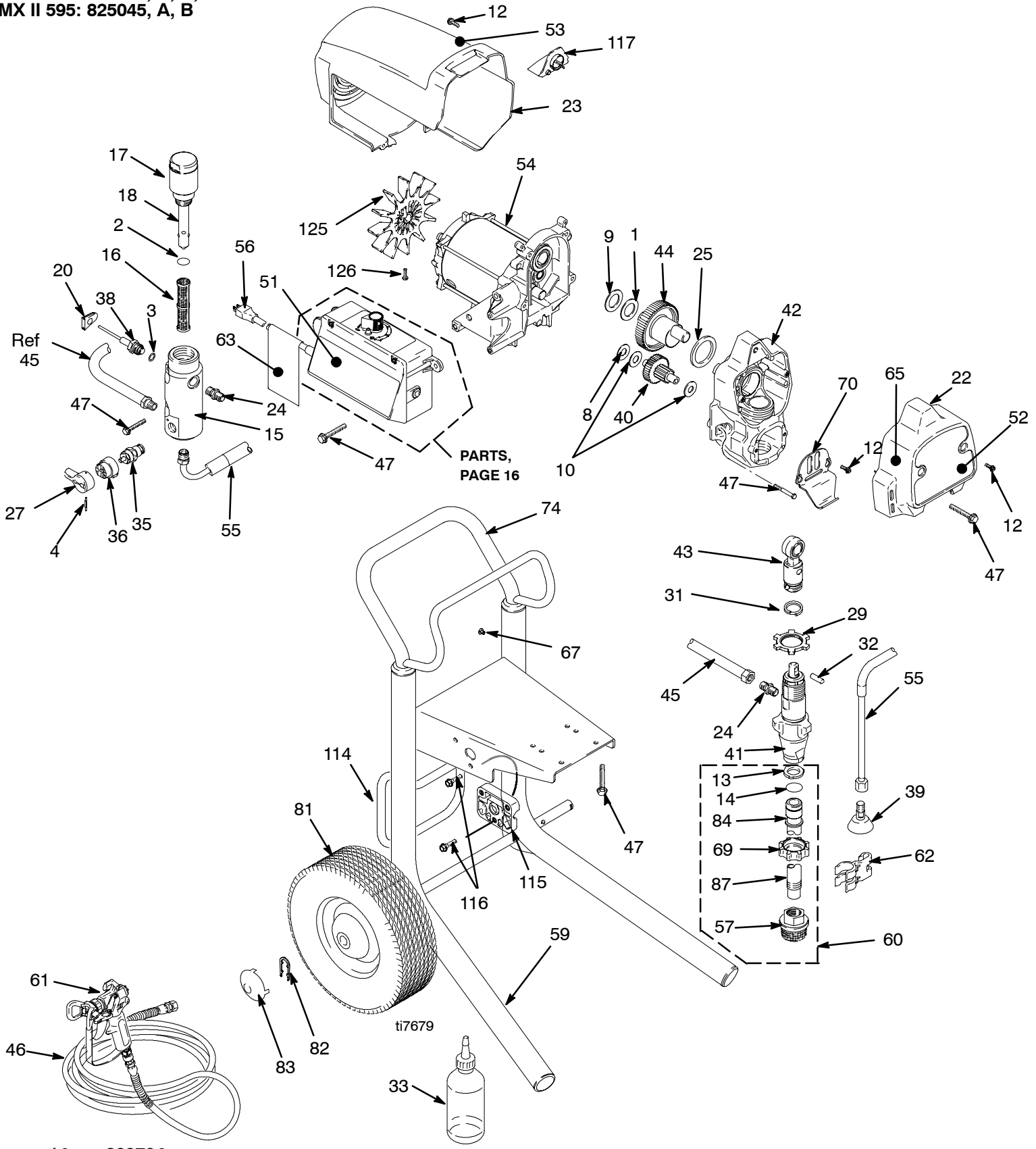
Ref.	Part	Description	Qty.	Ref.	Part	Description	Qty.
1	107434	BEARING, thrust	1	52		LABEL, front	
2	117828	PACKING, o-ring	1		15G831	490	1
3	111457	PACKING, o-ring	1		15G832	495	1
4	111600	PIN, grooved	1		15G833	595	1
8	116073	WASHER, thrust	1	53		LABEL, side	
9	116074	WASHER, thrust	1		15G834	490	1
10	116079	BEARING, thrust	2		15G835	495	1
12	117501	SCREW, mach, hex washer hd	8		15G836	595	1
13	115099	WASHER, garden hose	1	54		MOTOR KIT, 110V (includes 125, 126)	
14	117559	O-RING	2		24R703	490/495, Series A and B	1
15	15G455	MANIFOLD, fluid	1			(includes control box-not shown)	
16	246384†	FILTER, fluid, 60 mesh	1		24S022	490/495, Series C	
17	15G456	CAP, manifold	1		287807	595	
18	287167	INSERT, filter	1	55	246381	HOSE, drain, stand	1
20	15B120	GROMMET, transducer	1			includes 39, 62	
22	287901	COVER, front, paint	1	56	253367	CORD, power, 490/495 (Lo/Hi Boy)	1
		includes 12, 65			253371	CORD, power, 595	1
23	287900	SHIELD, motor, painted	1	57	246385	STRAINER, 7/8-14 unf	1
		includes 12		59	246250	FRAME, cart, LO	1
24	162453	NIPPLE, (1/4 npsm x 1/4 npt)	2	60	246386	KIT, hose suction	1
25	180131	BEARING, thrust	1			includes 13, 14, 57, 62	
27	187625	HANDLE, valve, drain	1	61	826085	GUN, includes Manual 311861	1
29	195150	NUT, jam, pump	1	62	276888	CLIP, drain line	1
31	196750	SPRING	1	63▲	15H085	LABEL, danger	1
32	196762	PIN, straight	1	65▲	195793	LABEL, warning	1
33	206994	FLUID, TSL	1	67	109032	SCREW, pan hd	4
34▲	222385	TAG, warning (not shown)	1	68	15B870	CUP, suction/drain	1
35	239914	VALVE, drain	1	70	15B589	COVER, pump rod	1
36	224807	BASE, valve	1	71	122667	SCREW, drill	2
38	243222	TRANSDUCER, pressure control	1	74	287488	HANDLE, assembly	1
		includes 3		74a	195501	SLEEVE, cart	2
39	241920	DEFLECTOR, threaded	1	74b	178565	BUTTON, snap	2
40	244242	GEAR, reducer	1	74c	195673	WASHER	2
		includes 8, 10		74d	103117	RING, retaining	2
41	246428	PUMP, displacement	1	81	195766	WHEEL, semi pneumatic	2
42	287899	HOUSING, drive	1	82	15B999	CLIP, retaining	2
		includes 12, 47, 76		83	104811	CAP, hub	2
43	287053	ROD, connecting	1	117	15G447	PLUG, hole	1
		includes 31, 32		125	15D088	FAN, motor	1
44		GEAR, crankshaft		126	115477	SCREW	1
		includes 1, 9, 25					
	287054	490/495	1				
	248231	595	1				
45	287003	HOSE, cpld	1				
46	240794	HOSE, cpld, 1/4 in. x 50 ft	1				
47	117493	SCREW, mach, hex washer hd	12				
51	15G830	LABEL, MX II Smart Control	1				

▲ Extra Danger and Warning tags and labels available free.

† Other filters available: 246382, 100 mesh; 246383, 200 mesh; 246425, 30 mesh

Parts Drawing - Ultimate MX II Hi-Boy Sprayers

MX II 490: 825036, A, B, C
 MX II 495: 825039, A, B, C
 MX II 595: 825045, A, B



PARTS,
PAGE 16

13
14
84
69
87
57
60

Parts List - Ultimate MX II Hi-Boy Sprayers

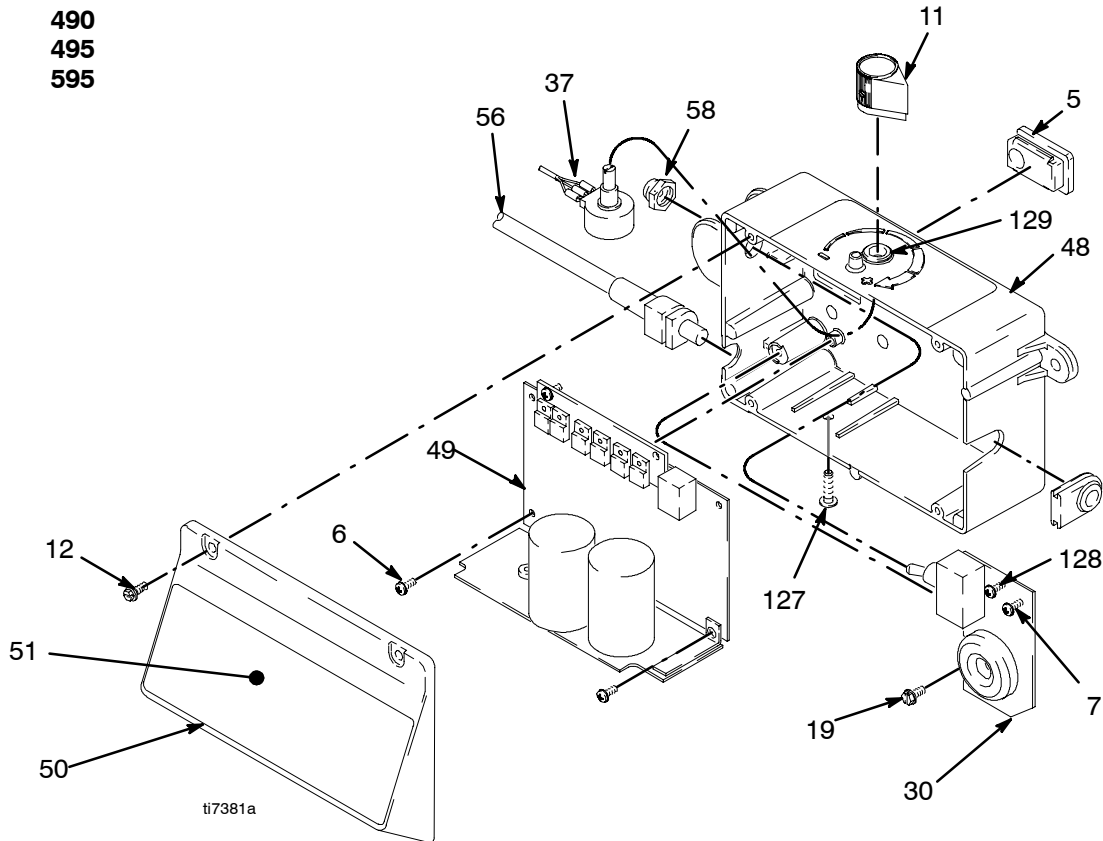
MX II 490: 825036, A, B, C

MX II 495: 825039, A, B, C

MX II 595: 825045, A, B

Ref.	Part	Description	Qty.	Ref.	Part	Description	Qty.
1	107434	BEARING, thrust	1	52		LABEL, front	
2	117828	PACKING, o-ring	1		15G831	490	1
3	111457	PACKING, o-ring	1		15G832	495	1
4	111600	PIN, grooved	1		15G833	595	1
8	116073	WASHER, thrust	1	53		LABEL, side	1
9	116074	WASHER, thrust	1		15G834	490	1
10	116079	BEARING, thrust	2		15G835	495	1
12	117501	SCREW, mach, hex washer hd	8		15G836	595	1
13	115099	WASHER, garden hose	1	54		MOTOR KIT, 110V (includes 125, 126)	
14	103413	O-RING	1		24R703	490/495 Series A and B	1
15	15G455	MANIFOLD, fluid	1			(includes control box - not shown)	
16	246384†	FILTER, fluid, 60 mesh	1		24S022	490/495, Series C	1
17	15G456	CAP, man ifold	1		287807	595	1
18	287167	INSERT, filter	1	55	243993	HOSE, drain	1
20	15B120	GROMMET, transducer	1			includes 39	
22	287901	COVER, front, paint	1	56	253367	CORD, power, 490/495 (Lo/Hi Boy)	1
		includes 12, 65			253371	CORD, power, 595	1
23	287900	SHIELD, motor, painted	1	57	246385	STRAINER, 7/8-14 unf	1
		includes 12		59	287779	FRAME, cart, HI	1
24	162453	NIPPLE, (1/4 npsm x 1/4 npt)	2	60	246387	KIT, stinger, tube	1
25	180131	BEARING, thrust	1			includes 13, 14, 57, 69, 84, 87	
27	187625	HANDLE, valve, drain	1	61	826085	GUN, includes Manual 311861	1
29	195150	NUT, jam, pump	1	62	276888	CLIP, drain line	1
31	196750	SPRING, retaining	1	63▲	15H085	LABEL, danger	1
32	196762	PIN, straight	1	65▲	195793	LABEL, warning	1
33	206994	FLUID, TSL	1	67	109032	SCREW, pan hd	4
34▲	222385	TAG, warning (not shown)	1	69	15E813	NUT, jam	1
35	239914	VALVE, drain	1	70	15C146	HOOK, pail	1
36	224807	BASE, valve	1	74	287489	HANDLE	1
38	243222	TRANSDUCER, pressure control	1	81	106062	WHEEL	2
		includes 3		82	15B999	CLIP, retaining	2
39	241920	DEFLECTOR, threaded	1	83	104811	CAP, hub	2
40	244242	GEAR, reducer	1	84	15B652	WASHER, suction	1
		includes 8, 10		87	15B506	TUBE, suction	1
41	246428	PUMP, displacement	1	114	15D281	HANGER, stand	1
42	287899	HOUSING, drive	1	115	15C982	CAM, cart	2
		includes 12, 47		116	114531	SCREW, mch, hex	4
43	287053	ROD, connecting	1	117	15G447	PLUG, tubing	2
		includes 31, 32		125	15D088	FAN, motor	1
44		GEAR, crankshaft	1	126	115477	SCREW	1
		includes 1, 9, 25					
	287054	490/495	1	▲ Extra Danger and Warning tags and labels available free.			
	248231	595	1	† Other filters available: 246382, 100 mesh; 246383, 200 mesh; 246425, 30 mesh			
45	287003	HOSE, cpld	1				
46	240794	HOSE, cpld, 1/4 in. x 50 ft	1				
47	117493	SCREW, mach, hex washer hd	12				
51	15G830	LABEL, MX II Smart Control	1				

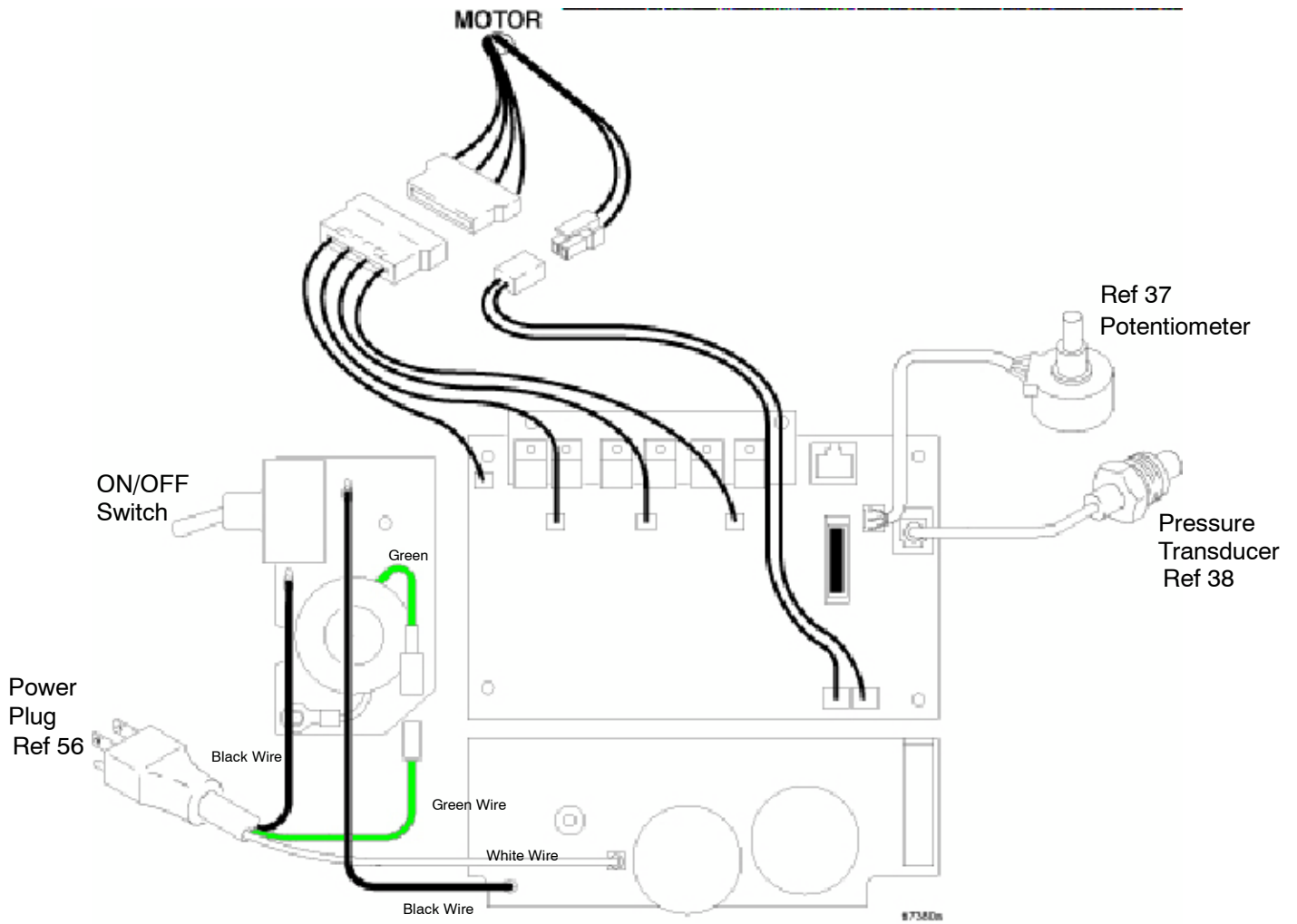
Parts Drawing - Control Box and Board Ultimate MX II



Parts List - Control Box and Board Ultimate MX II

Ref.	Part	Description	Qty.
5	15G562	BUSHING, control box	1
6	115494	SCREW, mach, phillips, pan hd	5
7	15H176	SCREW	1
11	116167	KNOB, potentiometer	1
12	117501	SCREW, mach, hex washer hd	4
19	115498	SCREW, mch, slot, hex, wash hd	1
30	287911	BOARD, filter, 110V GFI	1
37	256219	POTENTIOMETER, adjust, pressure	1
48		BOX, control	
	287905	Ultra Max II 490/495	1
	287906	Ultra Max II 595	1
49	287909	KIT, control board, 110V	1
50	277229	COVER, control	1
51	15G830	LABEL, Ultra Max II Smart Control	1
56	253366	CORD, power, 490/495, stand	1
	253367	CORD, power, Lo/Hi-boy 490/495	1
	253371	CORD, power, 595	1
58	195428	BOOT, toggle	1
127	120165	SCREW, mach, phillips, pan hd	1
128	120406	SCREW, mach, hex washer hd	1
129	158674	O-RING	1

Wiring Diagram - Ultimate MX II



TO PLACE AN ORDER OR FOR SERVICE, contact your Graco distributor, or call this number to identify the distributor near you: **1-800-690-2894 Toll Free**

All written and visual data contained in this document reflect the latest product information available at the time of publication. Graco reserves the right to make changes at any time without notice.

For patent information, see www.graco.com/patents.

Original instructions. This manual contains English. MM 309704

Graco Headquarters: Minneapolis

International Offices: Belgium, Korea, China, Japan

GRACO INC. AND SUBSIDIARIES P.O. BOX 1441 MINNEAPOLIS, MN 55440-1441 USA

Copyright 2002, Graco Inc. All Graco manufacturing locations are registered to ISO 9001

www.graco.com

Revised December 2013