



Pump Lower Repair Kits

For EcoQuip 2 Eqp Vapor Abrasive Blast Systems

3A5030B

EN



Important Safety Instructions

Read all warnings and instructions in the EcoQuip2 Eqp system manual. Save all instructions.

17R834, Complete SST Pump Lower Replacement Kit

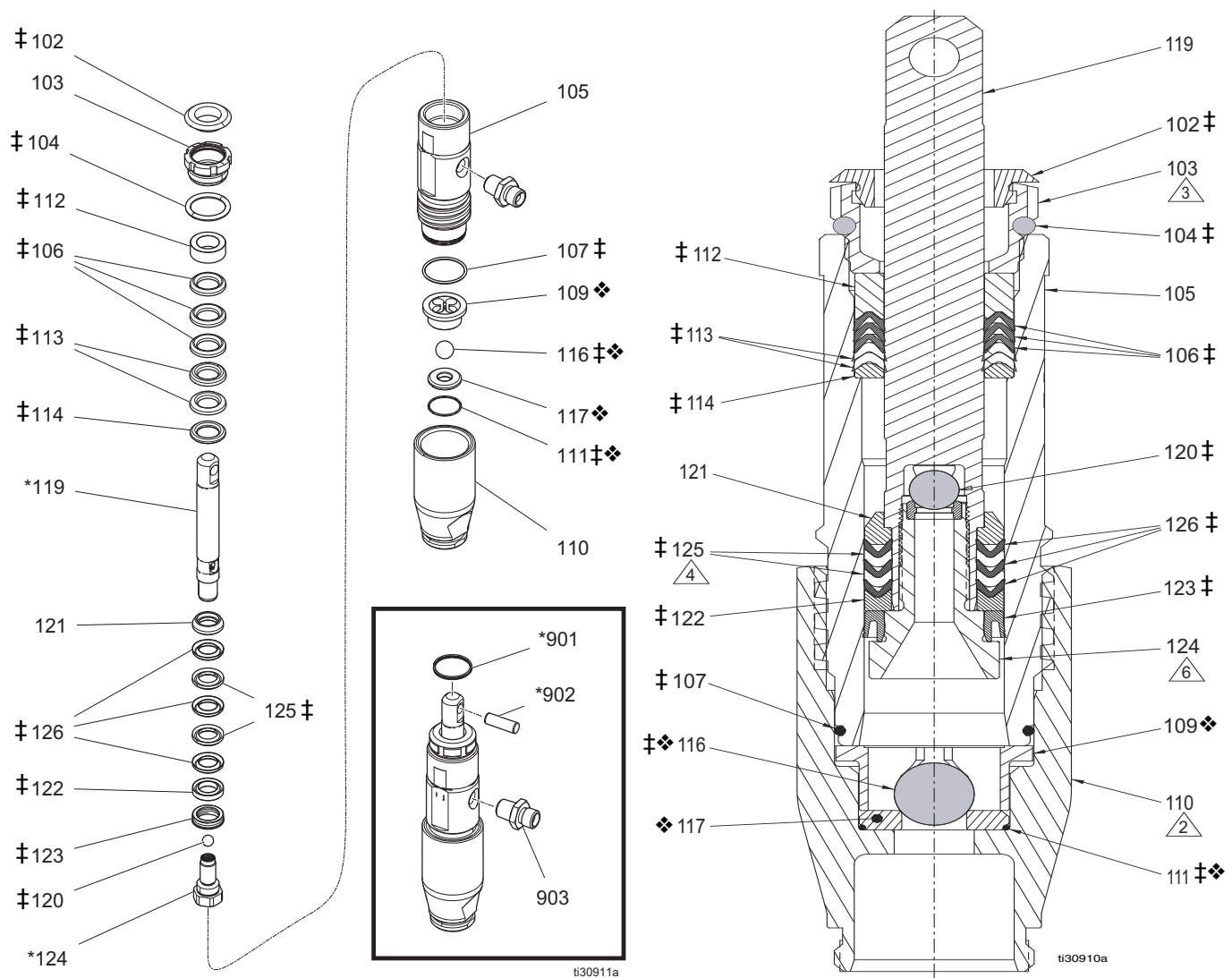
17R835, Rebuild Kit for SST Pump Lower

246429, Repair Kit for Inlet Valve and Seat

17S065, Repair Kit for Piston Rod

NOTE: See the pump illustrations on page 2.

Displacement Pump 17R834



2 Torque to 75 +/- 5 ft-lb (101.6 +/- 6.7 N•m).

3 Torque to 75 +/- 5 in-lb (8.47 +/- 0.56 N•m).

4 Soak packing in hydraulic oil for one hour prior to assembly.

6 Torque to 27 +/- 3 ft-lb (36.6 +/- 4 N•m).

Displacement Pump 17R834 Parts List

Ref.	Part	Description	Qty.
102	180656	PLUG, button	1
103	24H161	NUT, packing, sst	1
104	160516	PACKING, o-ring, 214	1
105	24G706	CYLINDER, pump	1
106	192710	PACKING, vee, throat	3
107	108526	PACKING, o-ring, ptfe	1
109	15C011	GUIDE, ball	1
110	24H007	HOUSING, valve, intake, sst	1
111	15B112	O-RING, special	1
112	176757	GLAND, packing, female	1
113	297140	PACKING, v-ring	2
114	176754	GLAND, packing, male	1
116	105445	BALL, .5000	1
117	15A968	SEAT, foot valve, carbide	1
119	17S065	ROD, piston	1
120	112365	BALL, bearing	1
121	-----	GLAND, male, piston, sst	1
122	-----	GLAND, packing, female, sst	1
123	15G234	WIPER, piston	1
124	-----	VALVE, piston, sst	1
125	176749	PACKING, vee, leather	2
126	192712	PACKING, vee, piston	3
901	196750	SPRING, retaining	1
902	196762	PIN, straight	1
903	166846	FITTING, adapter	1

‡ Included in Pump Lower Rebuild Kit 17R835.

❖ Included in Intake Check Valve Kit 246429.

* Included in Piston Rod Kit 17S065.

*All written and visual data contained in this document reflects the latest product information available at the time of publication.
Graco reserves the right to make changes at any time without notice.*

Original instructions. This manual contains English. MM 3A5030

Graco Headquarters: Minneapolis

International Offices: Belgium, China, Japan, Korea

GRACO INC. AND SUBSIDIARIES • P.O. BOX 1441 • MINNEAPOLIS MN 55440-1441 • USA
Copyright 2016, Graco Inc. All Graco manufacturing locations are registered to ISO 9001.

www.graco.com
Revision B, March 2017