

Medium and Large Size Grips

309401B

EN

*For PRO™ Xs2, PRO™ Xs3, PRO™ Xs4 and PRO Xp Electrostatic Guns.
For professional use only.*

Part No. 245263 Medium Grip Kit

Part No. 245264 Large Grip Kit

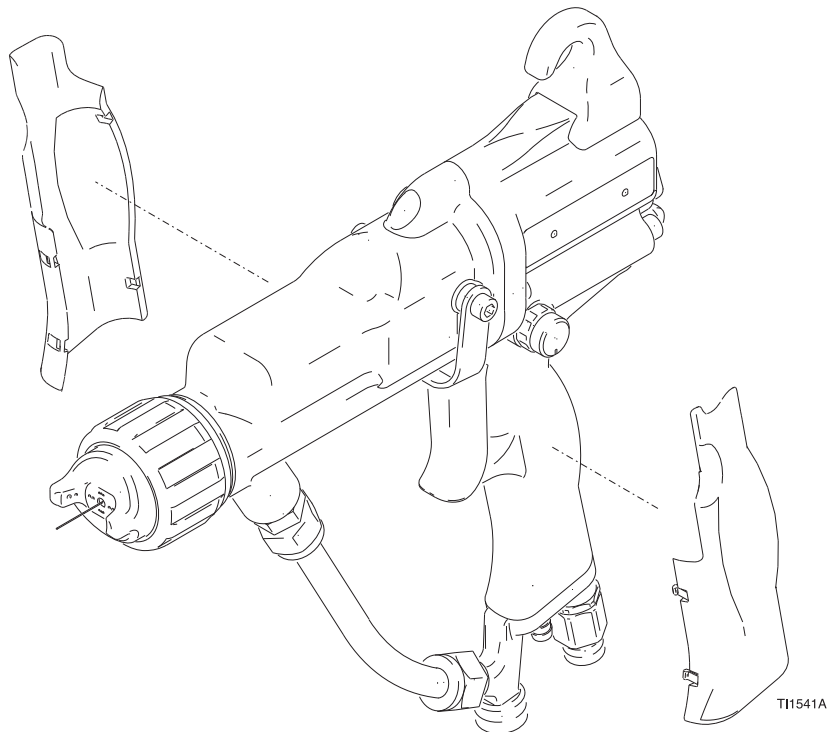
Part No. 24N520 Medium Grip Kit for PRO Xp

Part No. 24N521 Large Grip Kit for PRO Xp



Important Safety Instructions

**Read all warnings and instructions in this manual and in your gun manual.
Save all instructions.**



GRACO INC. AND SUBSIDIARIES • P.O. BOX 1441 • MINNEAPOLIS MN 55440-1441 • USA

Original instructions. This manual contains English. MM 309401

Copyright 2001, Graco Inc. All Graco manufacturing locations are registered to ISO 9001.

www.graco.com Revision B - October 2015

Installation

1. To ensure proper grounding between the grips and the gun handle, clean all paint or dirt off the handle.
2. Place the grips on the handle, noting the left and right orientation. Snap the two sides together. See FIG. 1.

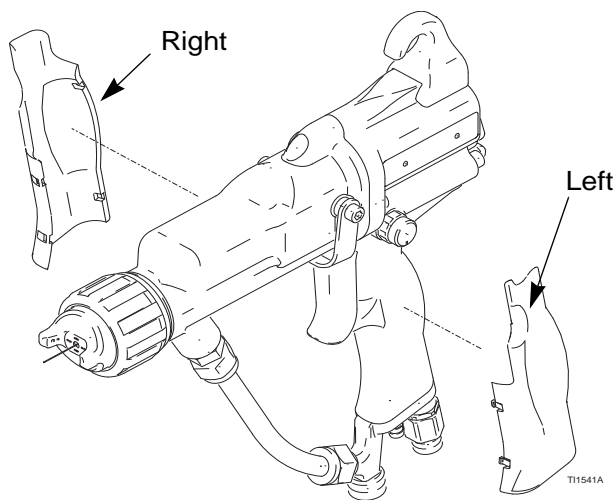


FIG. 1: Assemble the Grips

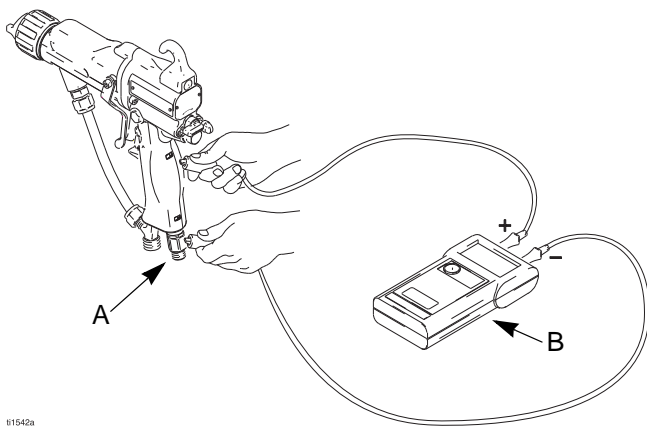






FIG. 2: Test Resistance

Test Resistance

Measure the resistance between the air inlet fitting (A) and a point on the grip furthest from the fitting, using a 500V megohmmeter (B). The resistance should be less than 1000 ohms. See FIG. 2.

 WARNING	
	Fire, Explosion and Electric Shock Hazard Megohmmeter P/N 241079 (B) is not approved for use in a hazardous area. To reduce the risk of sparking, do not use the megohmmeter to check electrical grounding unless: <ul style="list-style-type: none">• The gun has been removed from the hazardous area;• Or all spraying devices in the hazardous area are turned off, ventilation fans in the hazardous area are operating, and there are no flammable vapors in the area (such as open solvent containers or fumes from spraying). Failure to follow this warning could cause fire, explosion, and electric shock and result in serious injury and property damage
	
	

Graco Information

For the latest information about Graco products, visit www.graco.com.
For patent information, see www.graco.com/patents.

TO PLACE AN ORDER, contact your Graco distributor or call to identify the nearest distributor.

Phone: 612-623-6921 or **Toll Free:** 1-800-328-0211
Fax: 612-378-3505