

GENUINE GRACO PARTS AND ACCESSORIES

Air-Operated Conversion Kit 238749



For Stainless Steel, Waterbase-Compatible, High-Pressure
Fluid Pressure Regulators 238889, 238890, 238891, and 238892

406343E

EN



Important Safety Instructions

Read all warnings and instructions in manual 308647. Save those instructions.

Torque to 15-20 ft-lb (20-27 N•m).

First torque to 30-33 in-lb (3.4-3.7 N•m) in alternating pattern, then torque to 68-72 in-lb (7.7-8.7 N•m) in alternating pattern.

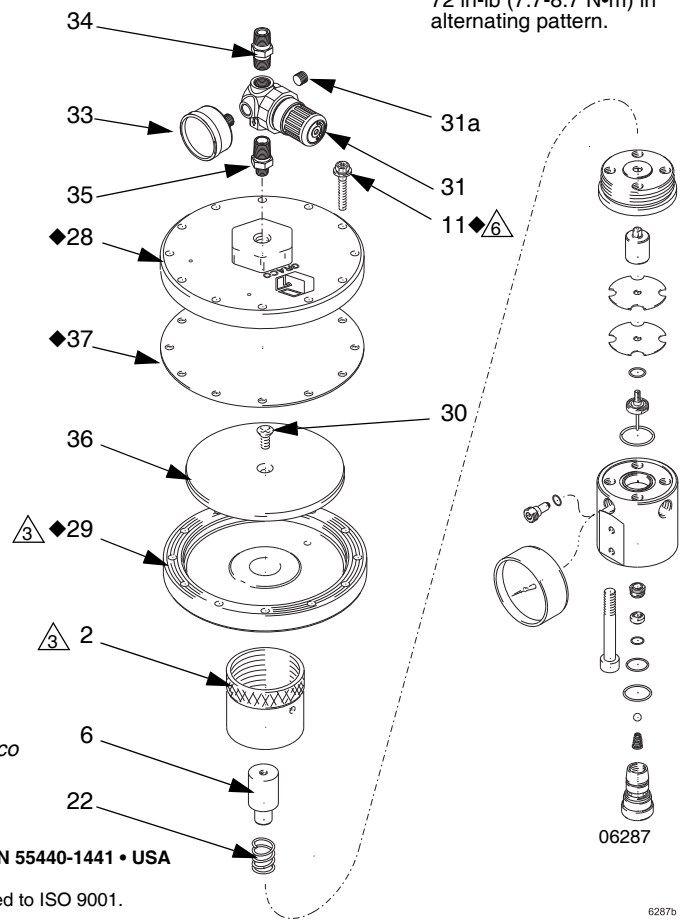
Ref.	Part No.	Description	Qty.
2	191584	HOUSING, adapter	1
6	191585	ROD, piston	1
11	114104	SCREW, machine	12
22	160062	SPRING, stabilizing	1
28	---	COVER, diaphragm	1
29	---	HOUSING, diaphragm	1
30	100326	SCREW, machine	1
31	15T499	REGULATOR, air	1
31a	---	PLUG, pipe; (included with ref. 31)	1
33	108190	GAUGE, pressure, air	1
34	156971	NIPPLE, pipe, hex	1
35	151519	NIPPLE, reducing; 1/4" x 1/8"	1
36	192194	WASHER, support	1
37	180979	DIAPHRAGM; nylon nprn	1

◆ Parts included in kit 16P596.

All written and visual data contained in this document reflects the latest product information available at the time of publication. Graco reserves the right to make changes at any time without notice.

For patent information, see www.graco.com/patents.

GRACO INC. AND SUBSIDIARIES • P.O. BOX 1441 • MINNEAPOLIS MN 55440-1441 • USA
MM 406343E, Revised October 2024
Copyright 1997, Graco Inc. All Graco manufacturing locations are registered to ISO 9001.



6287b