

# GENUINE GRACO PARTS AND ACCESSORIES

## 234966 Hose Hanger Accessory Kit

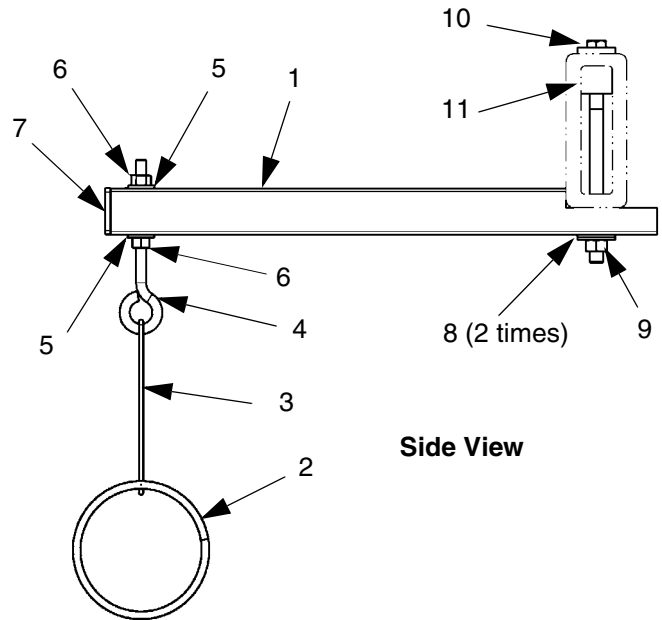
for use in Therm-O-Flow (TOF) and Warm Melt (WM) applications



**Important Safety Instructions.**  
 Read all warnings and instructions.  
 Refer to manual 309085.

406628B

Ref. No.	Part No.	Description	Qty.
1	15G347	SUPPORT, hose hanger	1
2	119958	SPRING, hose hanger	1
3	C34132	HANGER	1
4	119832	BOLT, eye 3/8" x 4"	1
5	100023	WASHER, flat	2
6	100307	NUT, hex	2
7	111218	CAP, tube square	1
8	100696	WASHER, wrought	2
9	101213	NUT, full hex	1
10	115928	SCREW, hex head cap, 7 in. (TOF)	1
	115927	SCREW, hex head cap, 6 in. (WM)	1
11	15G798	WASHER, top hat .5 ID x 1.04 (TOF)	1
	15X270	WASHER, top hat .5 ID x 1.25 (WM)	1



*Note: Hose Hanger Assembly can be mounted on either the left or right side of the ram tie bar.*

Graco Inc. P.O. Box 1441 Minneapolis, MN 55440-1441  
 406628 Revised 08/2009  
 Copyright 2006, Graco Inc. is registered to ISO 9001

PROVEN QUALITY. LEADING TECHNOLOGY.