

## GENUINE GRACO PARTS AND ACCESSORIES



# 233841 Shaft Repair Kit

For 308HP Diaphragm Pumps



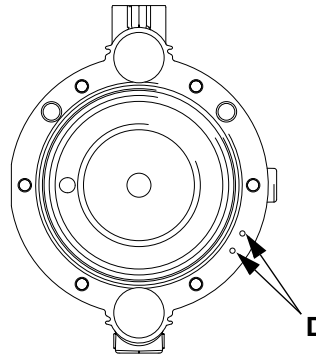
Read warnings and instructions.  
Refer to manual 309479.

406546D

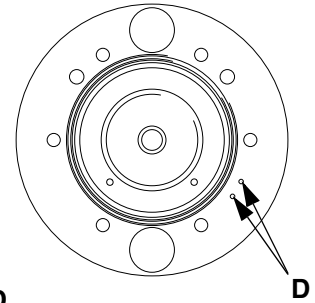
See the Shaft Repair section in Graco manual 309479 for instructions.

Ref. No.	Part No.	Description	Qty.
2**	197644	O-RING (Series A, B, and C Pumps)	3
	15G103	O-RING, with blue dot (Series D Pumps)	3
* 7		SHAFT, pump, diaphragm	1
8	15F207	O-RING	1
11	197650	O-RING	2
13	197652	O-RING	2
17	197656	O-RING	2
18	197657	O-RING	1
19	197658	GASKET, flat	1
29	197666	SEAL, profile	4
	111920	LUBRICANT	1
55	157628	O-RING	2

Detail of Diaphragm Housing (1)



Detail of Cylinder Housing (54)



\* Preassembled with Loctite. Do not disassemble.

\*\* On Series D Pumps, the diaphragm housing (1) and cylinder housing (54) are marked with two drill point dimples on the bottom rims. See the detail views above. Be sure to use o-rings (2) with a blue dot on Series D Pumps.

If housings are not marked with dimples (Series A, B, and C Pumps), use o-rings without a blue dot.

Graco Inc. P.O. Box 1441 Minneapolis, MN 55440-1441

406546 Rev. D 8/2005 Printed in USA

Copyright 2003, Graco Inc. is registered to I.S. EN ISO 9001