

# GENUINE GRACO PARTS & ACCESSORIES



## 233559 Accessory Kit

For 6-1/2 inch Ram

### INFORMATION ENCLOSED

GRACO INC. / P.O. BOX 1441 / MINNEAPOLIS, MN 55440-1441  
406506 Rev C 03/2006 PRINTED IN U.S.A.



#### WARNING

For detailed instructions and warnings, see manuals 309085 and 309180.

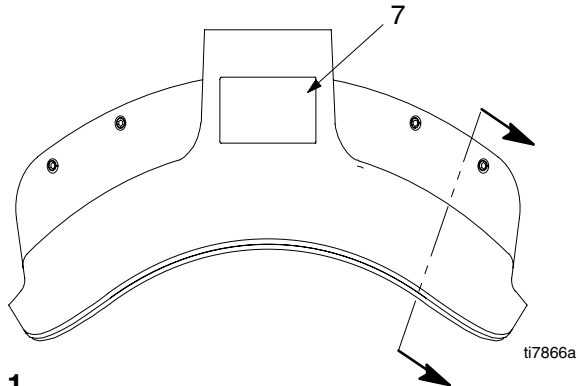


Fig. 1

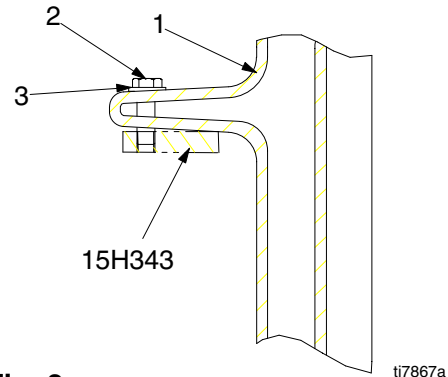


Fig. 2

To install on an existing system that does not have mounting holes drilled in the ram arch, center the hood between the ram posts with the hood lip resting on the arch. Ensure the mounting holes are close to the rear of the arch, .35 in. (on center) inward from the rear of the arch (see Fig. 1). Center-punch through the holes in the hood and clear all tubing or hoses from the top and bottom of the arch. Drill 5/16" holes where marked by the center punch.

Mount the hood using the hardware provided. Re-install hoses or tubing as necessary. Move the ram up and down and ensure there is no interference with cables, tubes, or hoses. It may be necessary to slightly re-route cabling or hoses.

Part Number	Description
1. 280434	Vent, hood
2. 112166	Screw, cap, hex head
3. 100016	Washer, lock
5. C14038	Label, warning

