

GENUINE GRACO PARTS AND ACCESSORIES



224437 Repair Kit

For LSBPR 1000™ Back Pressure Regulator

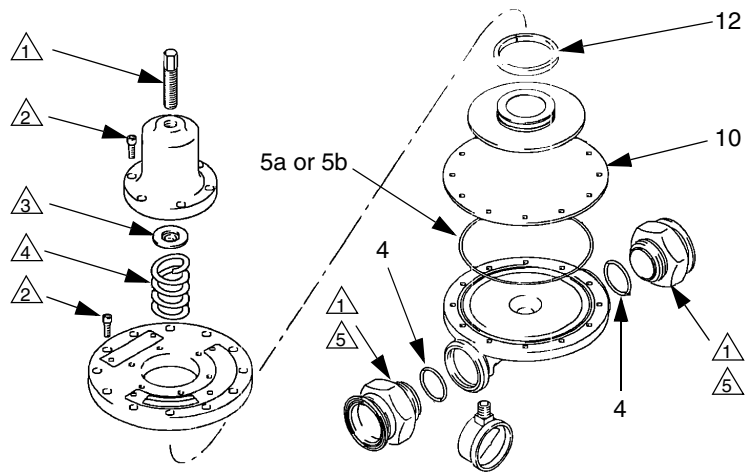
406077D



Important Safety Instructions

Read all warnings and instructions in manual 308115. Save those instructions.

Ref.	Part No.	Description	Qty.
4	107078	O-RING; PTFE	2
5a	111331	O-RING; PTFE; new style (larger)	1
5b	111278	O-RING; PTFE; old style (smaller)	1
10	190849	DIAPHRAGM	1
12	190857	BEARING	1



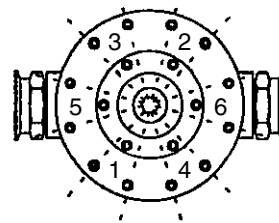
CAUTION

DO NOT lubricate parts with silicone grease. Silicone grease will contaminate the fluid and blemish the finish of the surface being painted.

- △1 Lubricate threads with light grease.
- △2 See TOP VIEW at bottom right.
- △3 Lubricate both sides with lithium-base grease.
- △4 Lubricate with lithium-base grease.
- △5 Torque to 100-110 ft-lb (135-150 N•m).

TOP VIEW

Torque diaphragm cover screws and cap screws in a criss-cross pattern to 70-90 in-lb (8.0-10.2 N•m).



Graco Inc. P.O. Box 1441 Minneapolis, MN 55440-1441

406077 Rev, D 02/2011

Copyright 1991, Graco Inc. is registered to I.S. EN ISO 9001