

GENUINE GRACO PARTS AND ACCESSORIES



## 223967 Pail Mount Assembly

Mounts 2:1 Ratio Standard Pump on a 5 Gal. (19 Liter) Pail. For use in Rotary Label Applications



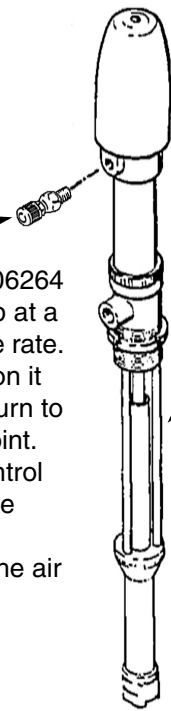
Read warnings and instructions.  
Refer to manual 307026.

405976C

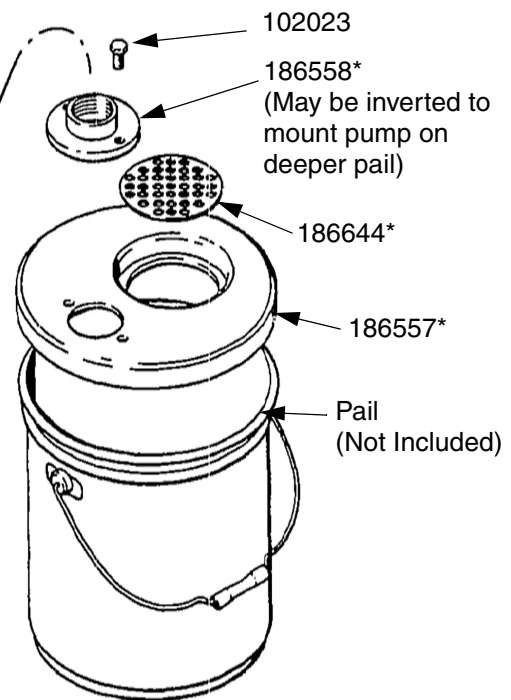
Pail mount assembly 223967 includes model 223954 pump and mounting kit 224004.

206264\*

NOTE: Needle valve 206264 is used to run the pump at a lower than normal cycle rate. The valve has a scale on it which allows you to return to a predetermined set point. This valve does not control air pressure. Turning the valve's control cap fully clockwise will shut off the air supply to the motor.



223954  
Pump



\* Included in mounting kit 224004.

Graco Inc. P.O. Box 1441 Minneapolis, MN 55440-1441  
405976 Rev. C 09/2004 Printed in USA  
Copyright 1990, Graco Inc. is registered to I.S. EN ISO 9001

