

# Instructions–Parts List



## High Pressure, One Way, Fluid Valve Ball Valve

308061D  
ENG



### Important Safety Instructions

Read all warnings and instructions in this manual.  
Save these instructions.

5000 psi (345 bar, 35 MPa) MAXIMUM WORKING PRESSURE

### Model 223522, Series B

1/4 npt; fluoroelastomer seals, carbide seats

### OPERATION

Read the **WARNINGS** on page 2. Use as a drain valve to relieve fluid pressure in spray systems. To open the valve, turn the lever parallel to the valve housing. To fully stop fluid flow through the valve, turn the lever 90° to the valve housing.

### SERVICE

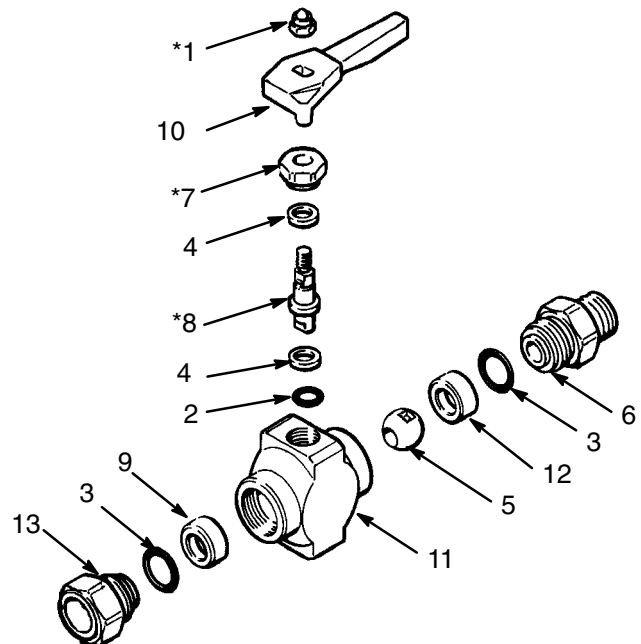
Follow the **Pressure Relief Procedure** on page 2. Remove the valve from the line and disassemble it. Clean the parts and inspect them. Replace any worn or damaged parts.

Lubricate the o-ring seals and threaded parts with lithium-base lubricant. Assemble the valve in the reverse order of disassembly. When installing the lever on the valve, make sure the hole in the ball is aligned with the direction of the lever.

### PARTS LISTS AND DRAWING

REF NO.	PART NO.	DESCRIPTION	QTY
1	102310*	NUT, hex; nylon cap; No. 10–32	1
2	110242	SEAL, o-ring; fluoroelastomer	1
3	110241	SEAL, o-ring; fluoroelastomer	2
4	164900	WASHER, flat, nylon	2
5	165273	BALL, valve	1
6	165274	NIPPLE, adapter; 1/4 npt(m)	1
7	165964*	NUT, packing	1
8	187163*	STEM, valve	1
9	223521	SEAT, ball, carbide	1
10	178747	LEVER, valve	1
11	178743	HOUSING, valve	1
12	172094	SEAT, ball	1
13	186170	STUD, valve	1

\*Recommended spare parts to keep on hand.



# WARNING



## SKIN INJECTION HAZARD

High-pressure fluid from dispensing device, hose leaks, or ruptured components will pierce skin. This may look like just a cut, but it is a serious injury that can result in amputation. **Get immediate surgical treatment.**

- Do not point dispensing device at anyone or at any part of the body.
- Do not put your hand over the fluid outlet.
- Do not stop or deflect leaks with your hand, body, glove, or rag.
- Follow the Pressure Relief Procedure when you stop dispensing and before cleaning, checking, or servicing equipment.
- Tighten all fluid connections before operating the equipment.
- Check hoses and couplings daily. Replace worn or damaged parts immediately.



INSTRUCTIONS



## EQUIPMENT MISUSE HAZARD

Misuse can cause death or serious injury.

- Do not operate the unit when fatigued or under the influence of drugs or alcohol.
- Do not exceed the maximum working pressure or temperature rating of the lowest rated system component. See **Technical Data** in all equipment manuals.
- Use fluids and solvents that are compatible with equipment wetted parts. See **Technical Data** in all equipment manuals. Read fluid and solvent manufacturer's warnings. For complete information about your material, request MSDS from distributor or retailer.
- Do not leave the work area while equipment is energized or under pressure. Turn off all equipment and follow the **Pressure Relief Procedure** when equipment is not in use.
- Check equipment daily. Repair or replace worn or damaged parts immediately with genuine manufacturer<sup>®</sup>
- Do not alter or modify equipment.
- Use equipment only for its intended purpose. Call your distributor for information.
- Route hoses and cables away from traffic areas, sharp edges, moving parts, and hot surfaces.
- Do not kink or over bend hoses or use hoses to pull equipment.
- Keep children and animals away from work area.
- Comply with all applicable safety regulations.

## Pressure Relief Procedure

Always follow this procedure before installing, removing, cleaning or repairing any part of the system.

1. Engage the spray gun safety latch and any other equipment safety locks.
2. Turn off the power to the pump.
3. Disengage the gun safety latch and trigger the spray gun to relieve pressure.
4. Engage the spray gun safety latch and slowly open the system drain valve(s). Keep hands away from the end of the drain valve when opening it.
5. Leave the drain valve(s) open until you are ready to use the system again.



# Graco Standard Warranty

Graco warrants all equipment manufactured by Graco and bearing its name to be free from defects in material and workmanship on the date of sale to the original purchaser for use. With the exception of any special, extended, or limited warranty published by Graco, Graco will, for a period of twelve months from the date of sale, repair or replace any part of the equipment determined by Graco to be defective. This warranty applies only when the equipment is installed, operated and maintained in accordance with Graco's written recommendations.

This warranty does not cover, and Graco shall not be liable for general wear and tear, or any malfunction, damage or wear caused by faulty installation, misapplication, abrasion, corrosion, inadequate or improper maintenance, negligence, accident, tampering, or substitution of non-Graco component parts. Nor shall Graco be liable for malfunction, damage or wear caused by the incompatibility of Graco equipment with structures, accessories, equipment or materials not supplied by Graco, or the improper design, manufacture, installation, operation or maintenance of structures, accessories, equipment or materials not supplied by Graco.

This warranty is conditioned upon the prepaid return of the equipment claimed to be defective to an authorized Graco distributor for verification of the claimed defect. If the claimed defect is verified, Graco will repair or replace free of charge any defective parts. The equipment will be returned to the original purchaser transportation prepaid. If inspection of the equipment does not disclose any defect in material or workmanship, repairs will be made at a reasonable charge, which charges may include the costs of parts, labor, and transportation.

**THIS WARRANTY IS EXCLUSIVE, AND IS IN LIEU OF ANY OTHER WARRANTIES, EXPRESS OR IMPLIED, INCLUDING BUT NOT LIMITED TO WARRANTY OF MERCHANTABILITY OR WARRANTY OF FITNESS FOR A PARTICULAR PURPOSE.**

Graco's sole obligation and buyer's sole remedy for any breach of warranty shall be as set forth above. The buyer agrees that no other remedy (including, but not limited to, incidental or consequential damages for lost profits, lost sales, injury to person or property, or any other incidental or consequential loss) shall be available. Any action for breach of warranty must be brought within two (2) years of the date of sale.

Graco makes no warranty, and disclaims all implied warranties of merchantability and fitness for a particular purpose in connection with accessories, equipment, materials or components sold but not manufactured by Graco. These items sold, but not manufactured by Graco (such as electric motors, switches, hose, etc.), are subject to the warranty, if any, of their manufacturer. Graco will provide purchaser with reasonable assistance in making any claim for breach of these warranties.

In no event will Graco be liable for indirect, incidental, special or consequential damages resulting from Graco supplying equipment hereunder, or the furnishing, performance, or use of any products or other goods sold hereto, whether due to a breach of contract, breach of warranty, the negligence of Graco, or otherwise.

## **FOR GRACO CANADA CUSTOMERS**

The parties acknowledge that they have required that the present document, as well as all documents, notices and legal proceedings entered into, given or instituted pursuant hereto or relating directly or indirectly hereto, be drawn up in English. Les parties reconnaissent avoir convenu que la rédaction du présent document sera en Anglais, ainsi que tous documents, avis et procédures judiciaires exécutés, donnés ou intentés à la suite de ou en rapport, directement ou indirectement, avec les procédures concernées.

## Graco Information

For the latest information about Graco products, visit [www.graco.com](http://www.graco.com).

**TO PLACE AN ORDER**, contact your Graco distributor or call to identify the distributor closest to you:

**Phone:** 612-623-6921 or **Toll Free:** 1-800-328-0211 **Fax:** 612-378-3505

*All written and visual data contained in this document reflects the latest product information available at the time of publication. Graco reserves the right to make changes at any time without notice.*

Original instructions. This manual contains English. MM 308061

**Graco Headquarters:** Minneapolis  
**International Offices:** Belgium, China, Japan, Korea

**GRACO INC. P.O. BOX 1441 MINNEAPOLIS, MN 55440-1441**

Copyright 1990, Graco Inc. is registered to ISO 9001

[www.graco.com](http://www.graco.com)

Revised 02/2011