

Air Valve Detent Kit

406149C

EN

Replacement air valve detent for Premier® Air Motor. For professional use only.



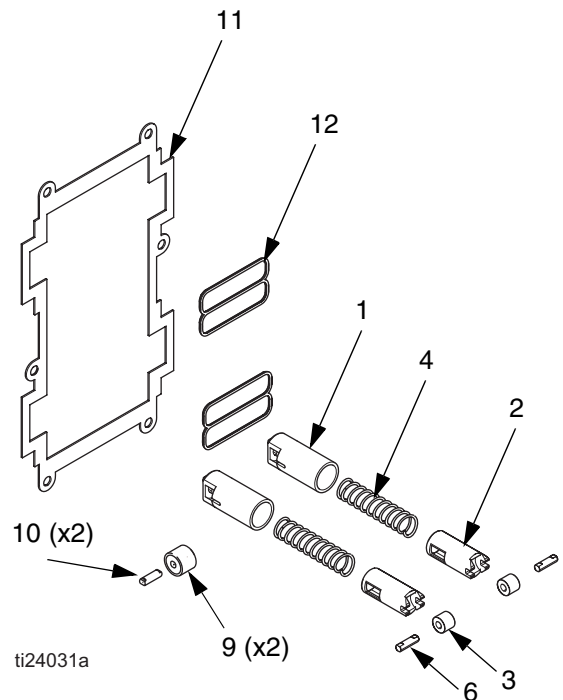
Important Safety Instructions

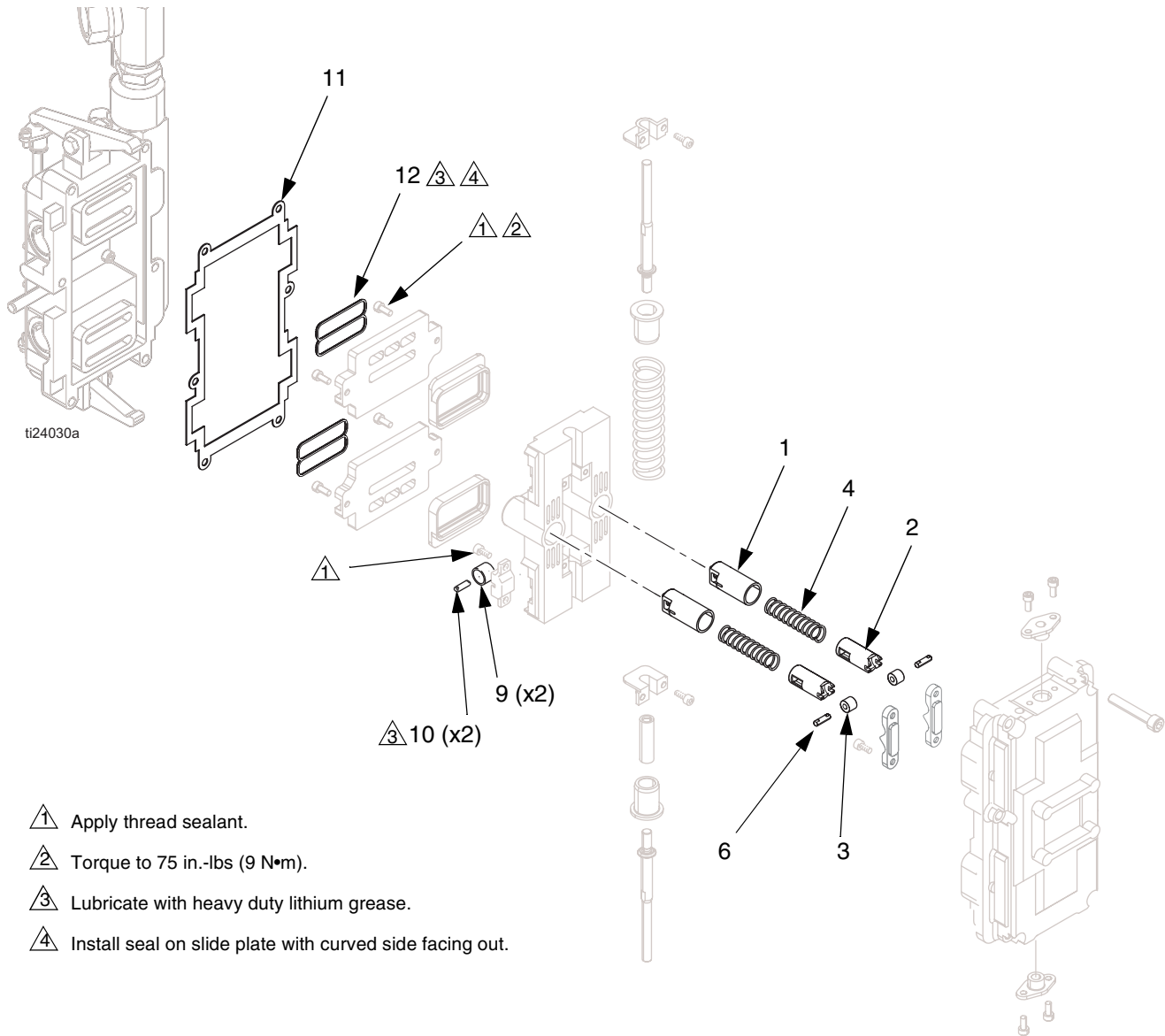
Read all warnings and instructions in this manual and in the air motor manual. Save all instructions.

Kit No. 222982

Ref.	Part	Description	Qty.
1	276064	GUIDE, plunger	2
2	184370	PLUNGER	2
3	184619	ROLLER, detent	2
4	184484	SPRING, compression	2
6	184369	PIN, roller	2
9	109513	BEARING, needle	4
10	184605	PIN, roller	4
11	184377	GASKET	1
12	184467	SEAL; buna-N	2

See parts illustration on back for assembly notes.





- △1 Apply thread sealant.
- △2 Torque to 75 in.-lbs (9 N•m).
- △3 Lubricate with heavy duty lithium grease.
- △4 Install seal on slide plate with curved side facing out.

FIG. 1

All written and visual data contained in this document reflects the latest product information available at the time of publication. Graco reserves the right to make changes at any time without notice.

Original instructions. This manual contains English. MM 406149

Graco Headquarters: Minneapolis
International Offices: Belgium, China, Japan, Korea

GRACO INC. AND SUBSIDIARIES • P.O. BOX 1441 • MINNEAPOLIS MN 55440-1441 • USA

Copyright 1993, Graco Inc. All Graco manufacturing locations are registered to ISO 9001.

www.graco.com
 Revision C June 2014