

## Self-relieving Air Regulators

310730A

### Part No. 902412

For President® Pumps

### Part No. 902413

For Monark® Pumps

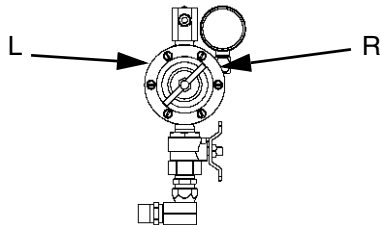
400 psi (2.8 MPa, 28 bar) Maximum Air Inlet Pressure  
10-125 psi (0.07- 0.9 MPa, 0.7-9 bar) Pressure Range

### Installation

Before installing regulator, blow out air line to remove foreign matter. Recommend installing a filter upstream of the regulator for a clean, dry air supply.

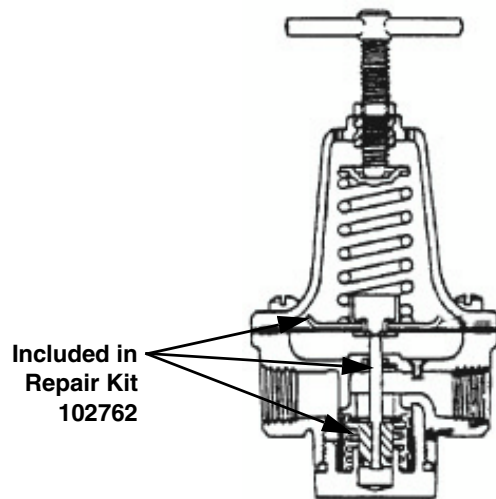
Regulator threads are DRYSEAL and do not normally require pipe sealant. If used, apply pipe sealant to male threads only. Install regulator as close as possible to equipment being regulated and so that air flows from IN to OUT.

Connections R and L are normally for gauges but may be used for outlets in certain applications.



### Adjustment

Turn adjusting screw clockwise to increase pressure, counterclockwise to decrease pressure.



### Maintenance

Failure of the regulator is usually caused by dirt in the regulator disc area. Follow **Cleaning** instructions below.

### Cleaning

Remove bottom plug, spring, strainer, and disc. Clean parts with denatured alcohol. Wipe off seat and blow out body with compressed air. Reassemble parts and screw them into the regulator. Before tightening bottom plug, make sure disk is in center hole in the body.

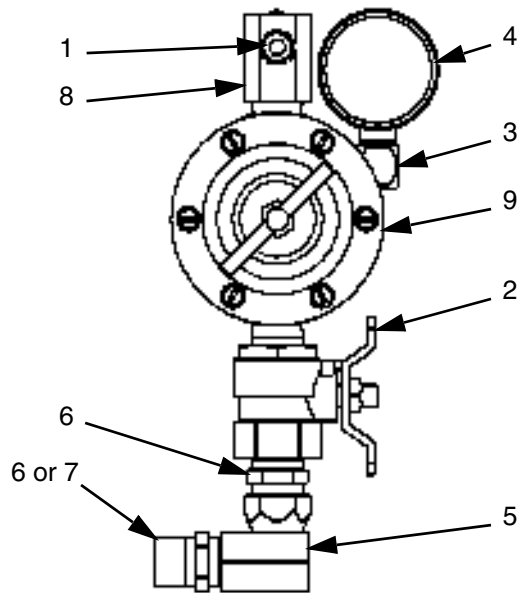


Repair Kit 102762 is available, which includes disc, diaphragm, and bottom plug.

PROVEN QUALITY. LEADING TECHNOLOGY.

# Parts

Ref. No.	Part No.	Description	Qty.
1	100403	Pipe Plug, 1/8 npt; <i>902413 only</i>	1
	100721	Pipe Plug, 1/4-18 nptf; <i>902412 only</i>	1
2	107142	Shutoff Valve, 1/2 npt	1
3	100840	Street Elbow, 1/4 npt	1
4	100960	Air Pressure Gauge, 0-200 psi (1.4 MPa, 14 bar)	1
5	157416	Coupling, 1/2 npt(f)	1
6	158491	Pipe Nipple, 1/2 npt <i>*902412 Qty. 2, 902413 Qty. 1</i>	*
7	159239	Pipe Nipple; <i>902413 only</i>	1
8	207438	Manifold, 1/2 npt (m x f); <i>902413 only</i>	1
9	206197	Air Regulator	1



## Graco Information

**TO PLACE AN ORDER**, contact your Graco distributor or call to identify the nearest distributor.

**Phone:** 612-623-6921 **or Toll Free:** 1-800-328-0211

**Fax:** 612-378-3505

## Graco Standard Warranty

Graco warrants all equipment referenced in this document which is manufactured by Graco and bearing its name to be free from defects in material and workmanship on the date of sale to the original purchaser for use. With the exception of any special, extended, or limited warranty published by Graco, Graco will, for a period of twelve months from the date of sale, repair or replace any part of the equipment determined by Graco to be defective. This warranty applies only when the equipment is installed, operated and maintained in accordance with Graco's written recommendations.

This warranty does not cover, and Graco shall not be liable for general wear and tear, or any malfunction, damage or wear caused by faulty installation, misapplication, abrasion, corrosion, inadequate or improper maintenance, negligence, accident, tampering, or substitution of non-Graco component parts. Nor shall Graco be liable for malfunction, damage or wear caused by the incompatibility of Graco equipment with structures, accessories, equipment or materials not supplied by Graco, or the improper design, manufacture, installation, operation or maintenance of structures, accessories, equipment or materials not supplied by Graco.

This warranty is conditioned upon the prepaid return of the equipment claimed to be defective to an authorized Graco distributor for verification of the claimed defect. If the claimed defect is verified, Graco will repair or replace free of charge any defective parts. The equipment will be returned to the original purchaser transportation prepaid. If inspection of the equipment does not disclose any defect in material or workmanship, repairs will be made at a reasonable charge, which charges may include the costs of parts, labor, and transportation.

**THIS WARRANTY IS EXCLUSIVE, AND IS IN LIEU OF ANY OTHER WARRANTIES, EXPRESS OR IMPLIED, INCLUDING BUT NOT LIMITED TO WARRANTY OF MERCHANTABILITY OR WARRANTY OF FITNESS FOR A PARTICULAR PURPOSE.**

Graco's sole obligation and buyer's sole remedy for any breach of warranty shall be as set forth above. The buyer agrees that no other remedy (including, but not limited to, incidental or consequential damages for lost profits, lost sales, injury to person or property, or any other incidental or consequential loss) shall be available. Any action for breach of warranty must be brought within two (2) years of the date of sale.

**GRACO MAKES NO WARRANTY, AND DISCLAIMS ALL IMPLIED WARRANTIES OF MERCHANTABILITY AND FITNESS FOR A PARTICULAR PURPOSE, IN CONNECTION WITH ACCESSORIES, EQUIPMENT, MATERIALS OR COMPONENTS SOLD BUT NOT MANUFACTURED BY GRACO.** These items sold, but not manufactured by Graco (such as electric motors, switches, hose, etc.), are subject to the warranty, if any, of their manufacturer. Graco will provide purchaser with reasonable assistance in making any claim for breach of these warranties.

In no event will Graco be liable for indirect, incidental, special or consequential damages resulting from Graco supplying equipment hereunder, or the furnishing, performance, or use of any products or other goods sold hereto, whether due to a breach of contract, breach of warranty, the negligence of Graco, or otherwise.

### **FOR GRACO CANADA CUSTOMERS**

The Parties acknowledge that they have required that the present document, as well as all documents, notices and legal proceedings entered into, given or instituted pursuant hereto or relating directly or indirectly hereto, be drawn up in English. Les parties reconnaissent avoir convenu que la rédaction du présente document sera en Anglais, ainsi que tous documents, avis et procédures judiciaires exécutés, donnés ou intentés, à la suite de ou en rapport, directement ou indirectement, avec les procédures concernées.

*All written and visual data contained in this document reflects the latest product information available at the time of publication.  
Graco reserves the right to make changes at any time without notice.*

**Graco Headquarters:** Minneapolis  
**International Offices:** Belgium, China, Japan, Korea

**GRACO INC. P.O. BOX 1441 MINNEAPOLIS, MN 55440-1441**

www.graco.com

Printed in USA 310730A

5/2004