

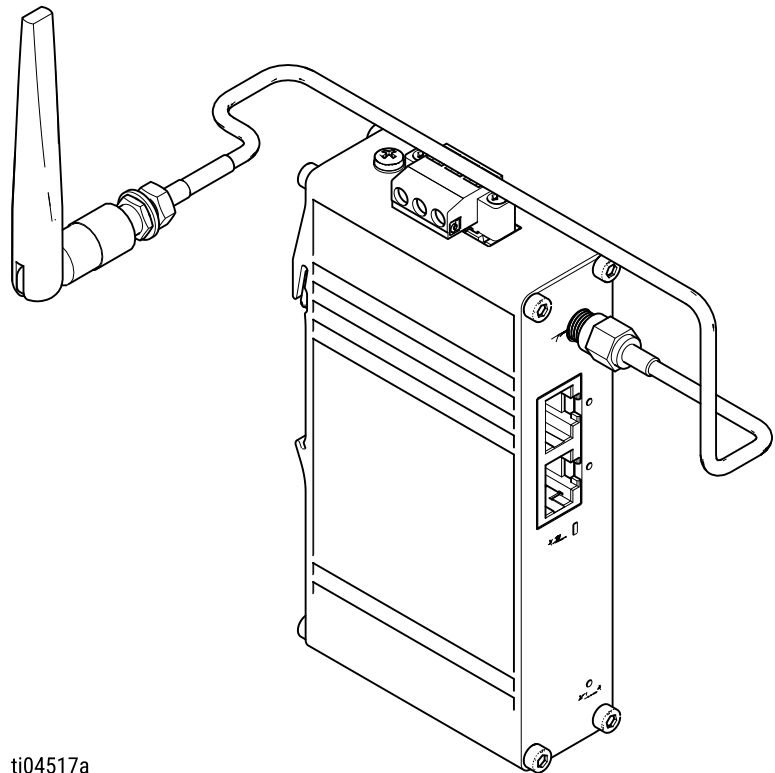
## ProMix® V Wi-Fi Kit

Not approved for use in explosive atmospheres or hazardous (classified) locations.



### Important Safety Instructions

Read all warnings and instructions in this manual before using the equipment. Be familiar with the proper control and usage of the equipment. Save these instructions.



ti04517a

**Model 2010869**

*Images are for illustrative purposes only*



[graco.com/contact](https://graco.com/contact)

# CONTENTS

---

<b>Radio Frequency Approvals</b>	<b>3</b>
<b>Related Manuals</b>	<b>4</b>
<b>Installation</b>	<b>5</b>
<b>Prepare Equipment for Wi-Fi Kit Installation</b>	<b>5</b>
<b>Install the Wi-Fi Module</b>	<b>5</b>
<b>ProMix® V Wi-Fi Kit Parts</b>	<b>6</b>
<b>Parts Diagram and List</b>	<b>6</b>
<b>California Proposition 65</b>	<b>8</b>

## **RADIO FREQUENCY APPROVALS**

---

The enclosed device complies with Part 15 of the FCC. Operation is subject to the following two conditions:(1) this device may not cause harmful interference and (2) this device must accept any interference received, including interference that may cause undesired operation.

Changes or modifications not expressly approved by the party responsible for compliance could void the user's authority to operate the equipment.

Contains FCC ID: 2AET4RUT142

Contains ISED: US0186.2024.00241

Radio Equipment Directive: EU Type Examination Certificate No.: NB2906.2024.000352

ICASA: Equipment Type Approval Number: TA-2024/3035

RCM: Certificate No.: R24474

India - WPC ETA: ETA Registration No.: ETA-SD-202441110868

## RELATED MANUALS

---


Additional documents are available to support the operation, repair, and maintenance of the ProMix® V Proportioner. Find English manuals and any available translations at [www.graco.com](http://www.graco.com).

Table 2-1: Related Manuals for ProMix V Wi-Fi Kit Manual X028822

ENGLISH MANUAL	DESCRIPTION
3B0203	ProMix V Package Meter Proportioner, Installation-Operation
3B0361	ProMix V Package Meter Proportioner, Repair-Parts

# INSTALLATION

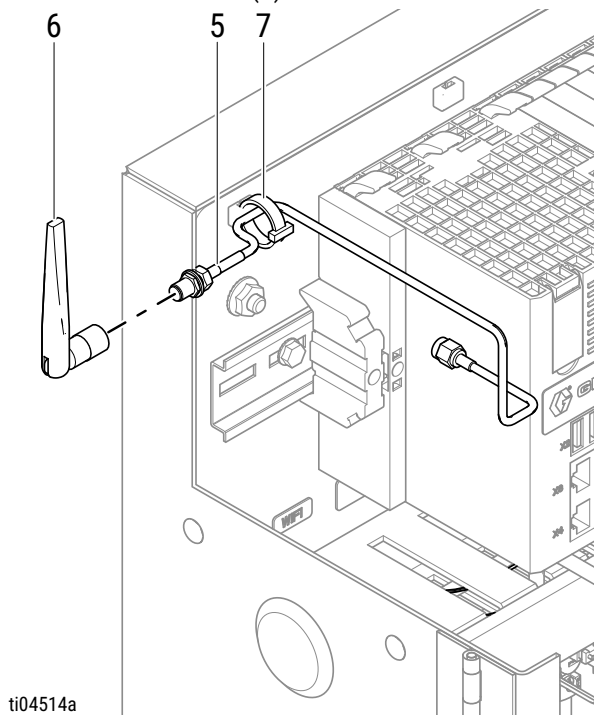
## PREPARE EQUIPMENT FOR WI-FI KIT INSTALLATION

 WARNING			
<ul style="list-style-type: none"><li>• Shut off main circuit breaker before opening the ProMix® V Control Box to avoid the risk of electric shock during the Wi-Fi installation.</li><li>• All electrical wiring must be done by a qualified electrician and comply with all local codes and regulations.</li><li>• Read the <b>General Warnings</b> in your operation manual 3B0203.</li></ul>			

## INSTALL THE WI-FI MODULE

Follow the steps to position the wireless module onto the ProMix V Proportioner.

1. Shutoff the main circuit breaker.
2. Remove plug from the enclosure.
3. Attach antenna (6) to the antenna cable (5).
4. Install antenna cable (5) into the enclosure.

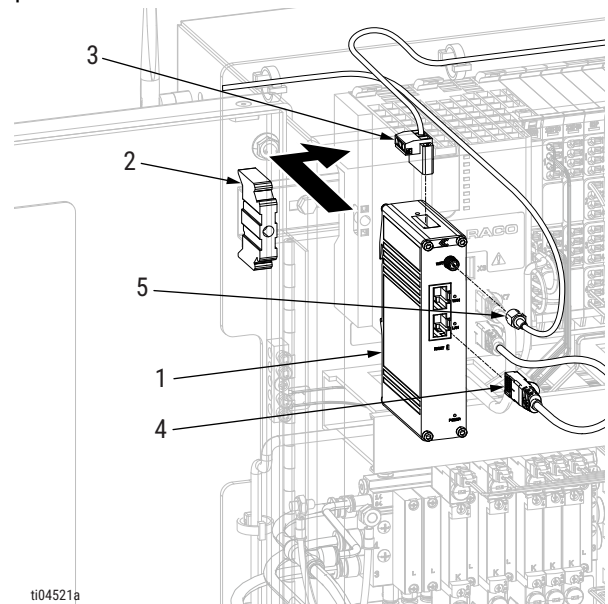


5. Loosen screw in the DIN rail retainer plate (2) and move away from the controller module.

### NOTE:

The new Wi-Fi module will have a unique SSID and password printed on the module label. If there is an existing wi-Fi, the characters are written on the cabinet door. Record the new characters for installment and use.

6. Install the Wi-Fi module (1) onto the DIN rail adjacent to the controller module.
7. Slide the DIN rail retainer plate (2) toward the Wi-Fi module (1) until snug. Tighten screw in the retainer plate.

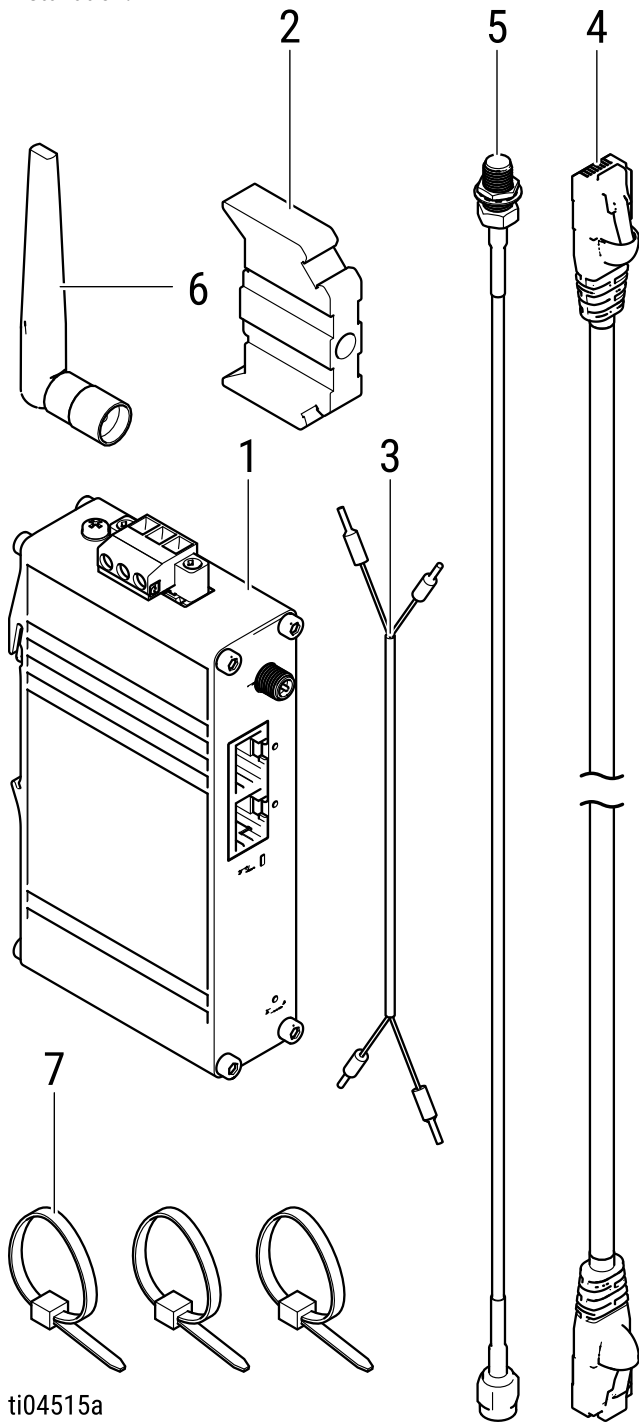


8. Install the Ethernet cable (4) to the LAN port, the power cables (3) to the 24DV block (red block, red wire) and COM (black block, black wire), and screw the antenna cable (5) to the front of the module.
9. To use the Wi-Fi, follow the **Interface Connection Wireless** instructions in your operation manual 3B0203 under the **Connect Customer Supplied HMI** section.

# PROMIX® V WI-FI KIT PARTS

## PARTS DIAGRAM AND LIST

The parts illustration and list shows the components of ProMix® V Wi-Fi Kit and their connections that are required for installation.



ti04515a

Figure 4-1: ProMix V Wi-Fi Kit Parts Diagram

PROMIX® V WI-FI KIT PARTS


PARTS LIST

REF.	PART	DESCRIPTION	QTY.
1	2010869	Kit, module, Wi-Fi	1
2	-----	Module, router, wireless, DIN mount	1
3	-----	Cable, DC power, 14" LG, 18 AWG, 2 CON	1
4	-----	Cable, Ethernet	1
5	-----	Cable, bulkhead, jack to plug	1
6	-----	Antenna, 3"	1
7	-----	Strap, tie, wire	3
-----	-----	Clamp, end (not shown)	1

# CALIFORNIA PROPOSITION 65

---

## CALIFORNIA RESIDENTS

 **WARNING** Cancer and reproductive harm – [www.P65warnings.ca.gov](http://www.P65warnings.ca.gov).



## GRACO STANDARD WARRANTY

Graco warrants all equipment referenced in this document which is manufactured by Graco and bearing its name to be free from defects in material and workmanship on the date of sale to the original purchaser for use. With the exception of any special, extended, or limited warranty published by Graco, Graco will, for a period of twelve months from the date of sale, repair or replace any part of the equipment determined by Graco to be defective. This warranty applies only when the equipment is installed, operated and maintained in accordance with Graco's written recommendations.

This warranty does not cover, and Graco shall not be liable for general wear and tear, or any malfunction, damage or wear caused by faulty installation, misapplication, abrasion, corrosion, inadequate or improper maintenance, negligence, accident, tampering, or substitution of non-Graco component parts. Nor shall Graco be liable for malfunction, damage or wear caused by the incompatibility of Graco equipment with structures, accessories, equipment or materials not supplied by Graco, or the improper design, manufacture, installation, operation or maintenance of structures, accessories, equipment or materials not supplied by Graco.

This warranty is conditioned upon the prepaid return of the equipment claimed to be defective to an authorized Graco distributor for verification of the claimed defect. If the claimed defect is verified, Graco will repair or replace free of charge any defective parts. The equipment will be returned to the original purchaser transportation prepaid. If inspection of the equipment does not disclose any defect in material or workmanship, repairs will be made at a reasonable charge, which charges may include the costs of parts, labor, and transportation.

**THIS WARRANTY IS EXCLUSIVE, AND IS IN LIEU OF ANY OTHER WARRANTIES, EXPRESS OR IMPLIED, INCLUDING BUT NOT LIMITED TO WARRANTY OF MERCHANTABILITY OR WARRANTY OF FITNESS FOR A PARTICULAR PURPOSE.** Graco's sole obligation and buyer's sole remedy for any breach of warranty shall be as set forth above. The buyer agrees that no other remedy (including, but not limited to, incidental or consequential damages for lost profits, lost sales, injury to person or property, or any other incidental or consequential loss) shall be available. Any action for breach of warranty must be brought within two (2) years of the date of sale.

**GRACO MAKES NO WARRANTY, AND DISCLAIMS ALL IMPLIED WARRANTIES OF MERCHANTABILITY AND FITNESS FOR A PARTICULAR PURPOSE, IN CONNECTION WITH ACCESSORIES, EQUIPMENT, MATERIALS OR COMPONENTS SOLD BUT NOT MANUFACTURED BY GRACO.** These items sold, but not manufactured by Graco (such as electric motors, switches, hose, etc.), are subject to the warranty, if any, of their manufacturer. Graco will provide purchaser with reasonable assistance in making any claim for breach of these warranties.

In no event will Graco be liable for indirect, incidental, special or consequential damages resulting from Graco supplying equipment hereunder, or the furnishing, performance, or use of any products or other goods sold hereto, whether due to a breach of contract, breach of warranty, the negligence of Graco, or otherwise.

**FOR GRACO CANADA CUSTOMERS** The Parties acknowledge that they have required that the present document, as well as all documents, notices and legal proceedings entered into, given or instituted pursuant hereto or relating directly or indirectly hereto, be drawn up in English. Les parties reconnaissent avoir convenu que la rédaction du présente document sera en Anglais, ainsi que tous documents, avis et procédures judiciaires exécutés, donnés ou intentés, à la suite de ou en rapport, directement ou indirectement, avec les procédures concernées.



**GRACO INC. AND SUBSIDIARIES | P.O. BOX 1441 | MINNEAPOLIS MN 55440-1441 | USA**

Graco Headquarters: Minneapolis, MN USA | International Offices: Australia, Belgium, China, Japan, Korea | Toll Free Phone Number: 1-800-690-2894 (Contractor Division) and 1-800-328-0211 (Industrial Division) | For patent information, see [graco.com/patents](http://graco.com/patents)

©2025 Graco Inc. All written and visual data in this document are based on the latest product information available at the time of publication. Graco reserves the right to make changes at any time without notice. All Graco manufacturing locations are registered to ISO 9001. Original Instructions. This manual contains English. Revision B, June 2025