

MANUAL NUMBER X004863 | REVISION B | ENGLISH (US)

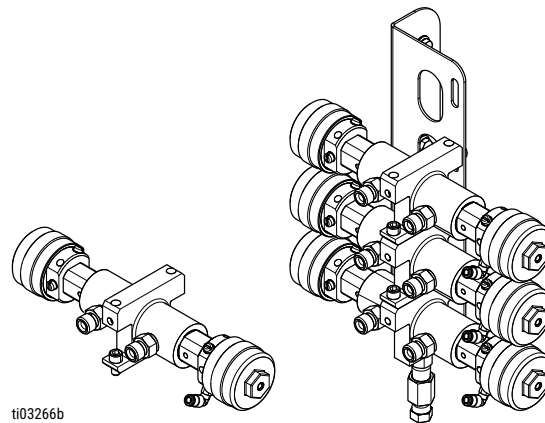
Color/Catalyst Change Kits

For use with a ProMix V Package Meter Proportioner. For professional use only.



Important Safety Instructions

Read all warnings and instructions in this manual before using the equipment. Be familiar with the proper control and usage of the equipment. Save these instructions.



graco.com/contact

C O N T E N T S

Models	3
Related Manuals	4
Color/Catalyst Change Kit Parts	5
Parts Diagram and List	5
California Proposition 65	11

MODELS

The part numbers reflect distinct features and characteristics of the Color/Catalyst Change Kits.

COLOR/CATALYST CHANGE KIT MODELS

Maximum Working Pressure:4000 psi (27.6 MPa, 276 bar)

Table 1-1: Color/Catalyst Change Kits

MODEL	DESCRIPTION
2007426	2 Valve Color/Catalyst Change Kit
2007859	3 Valve Color/Catalyst Change Kit
2007860	4 Valve Color/Catalyst Change Kit
2007861	5 Valve Color/Catalyst Change Kit
2007862	6 Valve Color/Catalyst Change Kit
2009386	2 Valve Fluid Flush Kit

RELATED MANUALS

Additional documents are available to support the operation, repair, and maintenance of the Color/Catalyst Change Kits. Find English manuals and any available translations at www.graco.com.

Table 2-1: Related Manuals for the Color/Catalyst Change Kits, X004863

ENGLISH MANUAL	DESCRIPTION
3B0203	ProMix V Package Meter, Installation and Operation
3B0361	ProMix V Package Meter, Repair and Parts
312783	Color and Catalyst Change Valve Stacks, Instructions and Parts
312782	Air Actuated Dispense Valve, Instructions and Parts

COLOR/CATALYST CHANGE KIT PARTS

PARTS DIAGRAM AND LIST

The parts illustration and list shows the components of the Color/Catalyst Change Kits and their connections that are required for assembly, repair, and maintenance.

2007426, 2 VALVE COLOR/CATALYST CHANGE KIT

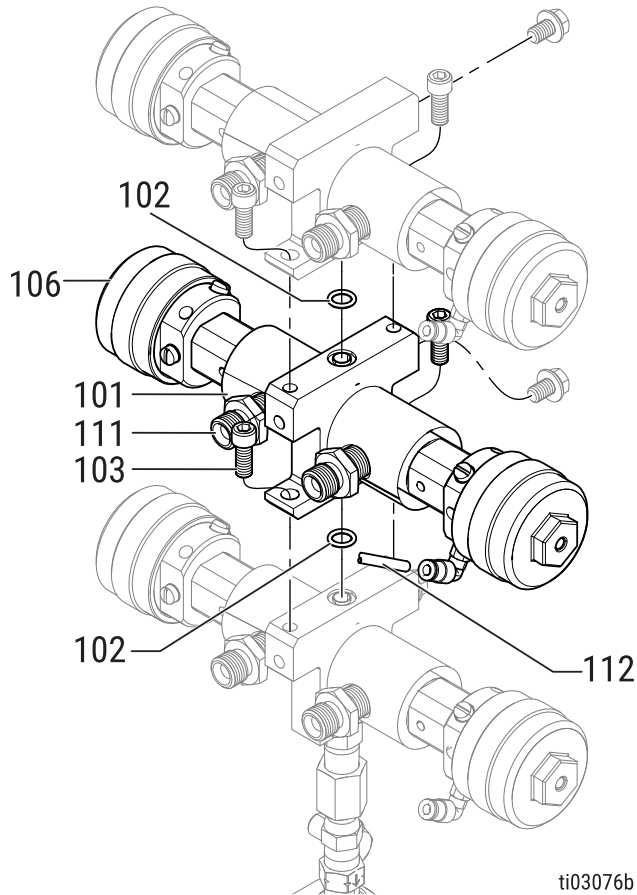


Figure 3-1: 2007426 Parts Diagram

NOTE:

Kit 2007426 is shipped pre-assembled.

REF.	PART	DESCRIPTION	QTY.
101	--	MANIFOLD, middle, color change	1
102	110004	PACKING, o-ring, PTFE	2
103	--	SCREW, cap, sch	2
104*	15T725	RETAINER, seat, dump valve	2
105*	111457	PACKING, o-ring	2
106	25U791	VALVE, dispense, 4K	2
107*	15Y627	PACKING, o-ring #2-116, PTFE	2
108	--	PLUG, pipe, hdls	2
109*	--	LUBRICANT, grease	1
110*	--	SEALANT, pipe, sst	1
111	--	FITTING, 1/4 NPSM x 1/4, NPT, SST	2
112	598095	TUBE, 5/32 od, nylon	5.21 ft
* Not Shown			

COLOR/CATALYST CHANGE KIT PARTS

2007859, 3 VALVE COLOR/CATALYST CHANGE KIT

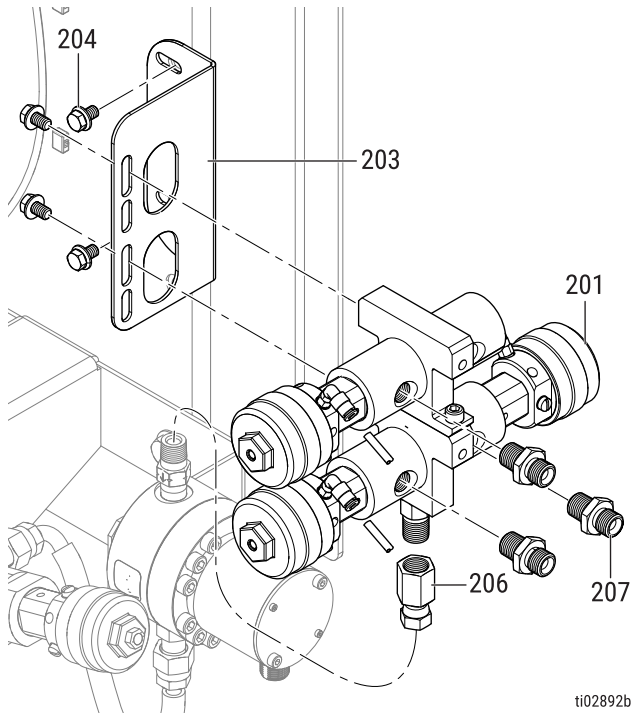


Figure 3-2: 2007859 Parts Diagram

NOTE:

Kit 2007859 is shipped pre-assembled.

REF.	PART	DESCRIPTION	QTY.
201	--	ASSEMBLY, color/catalyst, change, 4000 psi, 3 valve	1
202*	--	BRACKET, mounting, color change, left, painted	1
203	--	BRACKET, mounting, catalyst change, painted	1
204	--	SCREW, mach, hex serrated	7
205*	598095	TUBE, 5/32 od, nylon	7.81
206	16P309	SWIVEL, union	1
207	--	FITTING, 1/4 NPSM X 1/4, NPT, SST	3
* Not Shown			

COLOR/CATALYST CHANGE KIT PARTS

2007860, 4 VALVE COLOR/CATALYST CHANGE KIT

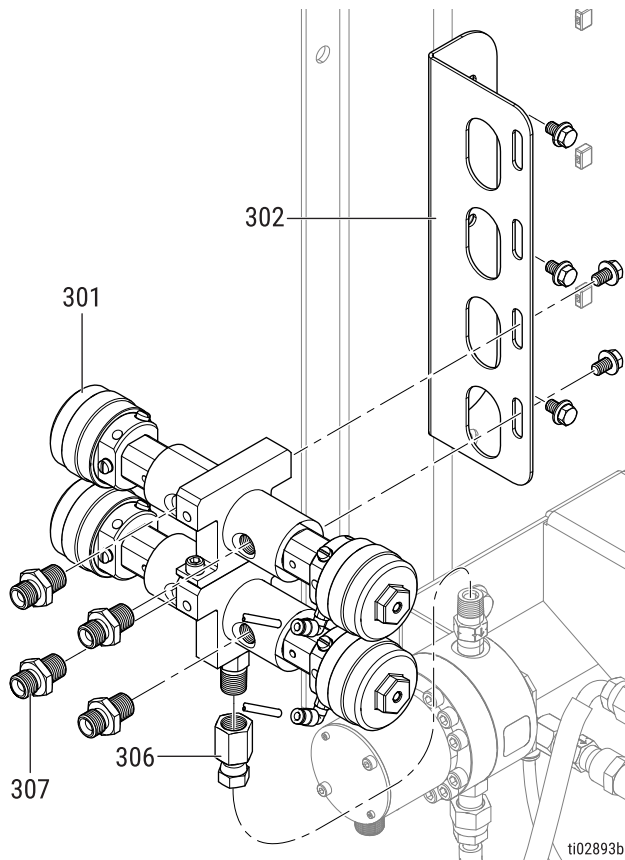


Figure 3-3: 2007860 Parts Diagram

NOTE:

Kit 2007860 is shipped pre-assembled.

REF.	PART	DESCRIPTION	QTY.
301	--	ASSEMBLY, color/catalyst, change, 4000 psi, 4 valve	1
302	--	BRACKET, mounting, color change, left, painted	1
303*	--	BRACKET, mounting, catalyst change, painted	1
304	--	SCREW, mach, hex serrated	7
305*	598095	TUBE, 5/32 od, nylon	10.42
306	16P309	SWIVEL, union	1
307	--	FITTING, 1/4 NPSM X 1/4, NPT, SST	3
* Not Shown			

COLOR/CATALYST CHANGE KIT PARTS

2007861, 5 VALVE COLOR/CATALYST CHANGE KIT

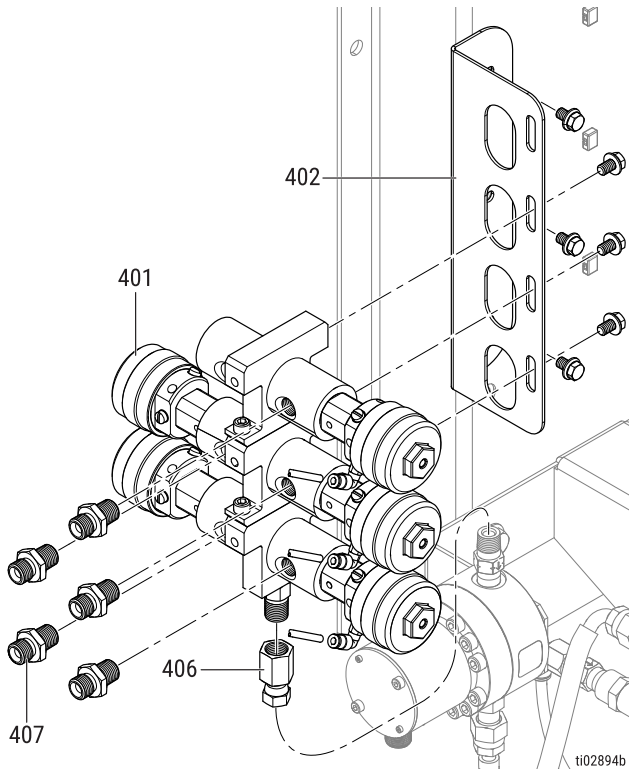


Figure 3-4: 2007861 Parts Diagram

NOTE:

Kit 2007861 is shipped pre-assembled.

REF.	PART	DESCRIPTION	QTY.
401	--	ASSEMBLY, color/catalyst, change, 4000 psi, 5 valve	1
402	--	BRACKET, mounting, color change, left, painted	1
403*	--	BRACKET, mounting, catalyst change, painted	1
404	--	SCREW, mach, hex serrated	8
405*	598095	TUBE, 5/32 od, nylon	13.02
406	16P309	SWIVEL, union	1
407	--	FITTING, 1/4 NPSM X 1/4, NPT, SST	5
* Not Shown			

COLOR/CATALYST CHANGE KIT PARTS

2007862, 6 VALVE COLOR/CATALYST CHANGE KIT

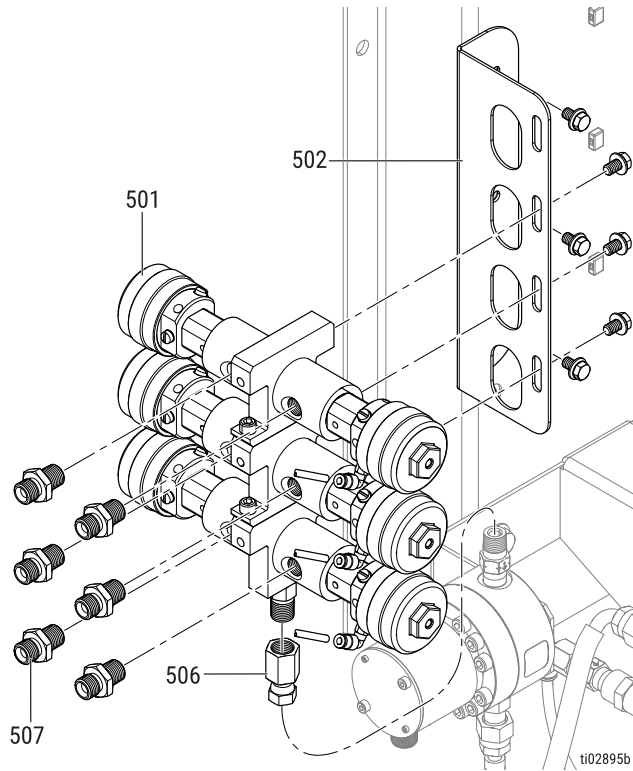


Figure 3-5: 2007862 Parts Diagram

NOTE:

Kit 2007862 is shipped pre-assembled.

REF.	PART	DESCRIPTION	QTY.
501	--	ASSEMBLY, color/catalyst, change, 4000 psi, 6 valve	1
502	--	BRACKET, mounting, color change, left, painted	1
503*	--	BRACKET, mounting, catalyst change, painted	1
504	--	SCREW, mach, hex serrated	8
505*	598095	TUBE, 5/32 od, nylon	13.02
506	16P309	SWIVEL, union	1
507	--	FITTING, 1/4 NPSM X 1/4, NPT, SST	5
* Not Shown			

COLOR/CATALYST CHANGE KIT PARTS

2009386, 2 VALVE FLUID FLUSH KIT

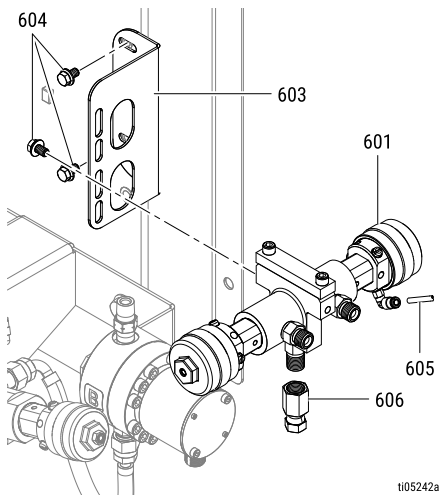


Figure 3-6: 2009386 Parts Diagram


NOTE:

Kit 2009386 is shipped pre-assembled.

REF.	PART	DESCRIPTION	QTY.
601	--	ASSEMBLY, color/catalyst, change, 4000 psi, 2 valve	1
602*	--	BRACKET, mounting, color change, left, painted	1
603	--	BRACKET, mounting, catalyst change, painted	1
604	--	SCREW, mach, hex serrated	1
605*	598095	TUBE, 5/32 od, nylon	5.21
606	16P309	SWIVEL, union	1
* Not Shown			

CALIFORNIA PROPOSITION 65

CALIFORNIA RESIDENTS

 **WARNING** Cancer and reproductive harm – www.P65warnings.ca.gov.

GRACO STANDARD WARRANTY

Graco warrants all equipment referenced in this document which is manufactured by Graco and bearing its name to be free from defects in material and workmanship on the date of sale to the original purchaser for use. With the exception of any special, extended, or limited warranty published by Graco, Graco will, for a period of twelve months from the date of sale, repair or replace any part of the equipment determined by Graco to be defective. This warranty applies only when the equipment is installed, operated and maintained in accordance with Graco's written recommendations.

This warranty does not cover, and Graco shall not be liable for general wear and tear, or any malfunction, damage or wear caused by faulty installation, misapplication, abrasion, corrosion, inadequate or improper maintenance, negligence, accident, tampering, or substitution of non-Graco component parts. Nor shall Graco be liable for malfunction, damage or wear caused by the incompatibility of Graco equipment with structures, accessories, equipment or materials not supplied by Graco, or the improper design, manufacture, installation, operation or maintenance of structures, accessories, equipment or materials not supplied by Graco.

This warranty is conditioned upon the prepaid return of the equipment claimed to be defective to an authorized Graco distributor for verification of the claimed defect. If the claimed defect is verified, Graco will repair or replace free of charge any defective parts. The equipment will be returned to the original purchaser transportation prepaid. If inspection of the equipment does not disclose any defect in material or workmanship, repairs will be made at a reasonable charge, which charges may include the costs of parts, labor, and transportation.

THIS WARRANTY IS EXCLUSIVE, AND IS IN LIEU OF ANY OTHER WARRANTIES, EXPRESS OR IMPLIED, INCLUDING BUT NOT LIMITED TO WARRANTY OF MERCHANTABILITY OR WARRANTY OF FITNESS FOR A PARTICULAR PURPOSE. Graco's sole obligation and buyer's sole remedy for any breach of warranty shall be as set forth above. The buyer agrees that no other remedy (including, but not limited to, incidental or consequential damages for lost profits, lost sales, injury to person or property, or any other incidental or consequential loss) shall be available. Any action for breach of warranty must be brought within two (2) years of the date of sale.

GRACO MAKES NO WARRANTY, AND DISCLAIMS ALL IMPLIED WARRANTIES OF MERCHANTABILITY AND FITNESS FOR A PARTICULAR PURPOSE, IN CONNECTION WITH ACCESSORIES, EQUIPMENT, MATERIALS OR COMPONENTS SOLD BUT NOT MANUFACTURED BY GRACO. These items sold, but not manufactured by Graco (such as electric motors, switches, hose, etc.), are subject to the warranty, if any, of their manufacturer. Graco will provide purchaser with reasonable assistance in making any claim for breach of these warranties.

In no event will Graco be liable for indirect, incidental, special or consequential damages resulting from Graco supplying equipment hereunder, or the furnishing, performance, or use of any products or other goods sold hereto, whether due to a breach of contract, breach of warranty, the negligence of Graco, or otherwise.

FOR GRACO CANADA CUSTOMERS The Parties acknowledge that they have required that the present document, as well as all documents, notices and legal proceedings entered into, given or instituted pursuant hereto or relating directly or indirectly hereto, be drawn up in English. Les parties reconnaissent avoir convenu que la rédaction du présente document sera en Anglais, ainsi que tous documents, avis et procédures judiciaires exécutés, donnés ou intentés, à la suite de ou en rapport, directement ou indirectement, avec les procédures concernées.



GRACO INC. AND SUBSIDIARIES | P.O. BOX 1441 | MINNEAPOLIS MN 55440-1441 | USA

Graco Headquarters: Minneapolis, MN USA | International Offices: Australia, Belgium, China, Japan, Korea | Toll Free Phone Number: 1-800-690-2894 (Contractor Division) and 1-800-328-0211 (Industrial Division) | For patent information, see graco.com/patents

©2025 Graco Inc. All written and visual data in this document are based on the latest product information available at the time of publication. Graco reserves the right to make changes at any time without notice. All Graco manufacturing locations are registered to ISO 9001. Original Instructions. This manual contains English. Revision B, October 2025