

Reed Switch (Cycle Count) Kit 17W772

3A5753C

For Endura-Flo™ Diaphragm Pumps

EN

For remote monitoring of pump speed. For professional use only.

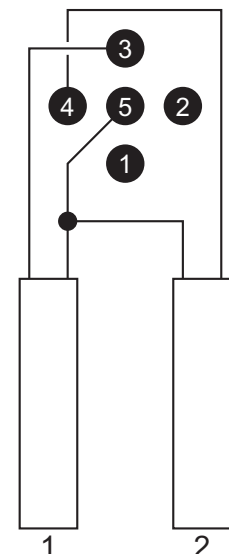
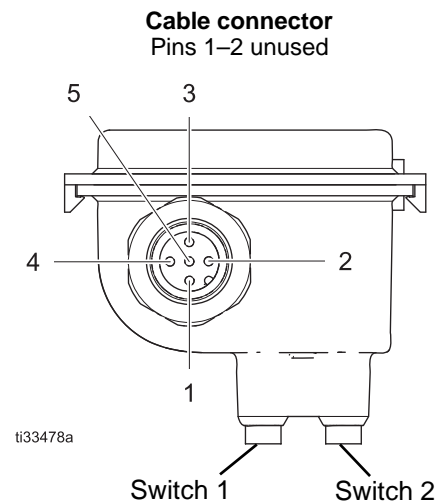
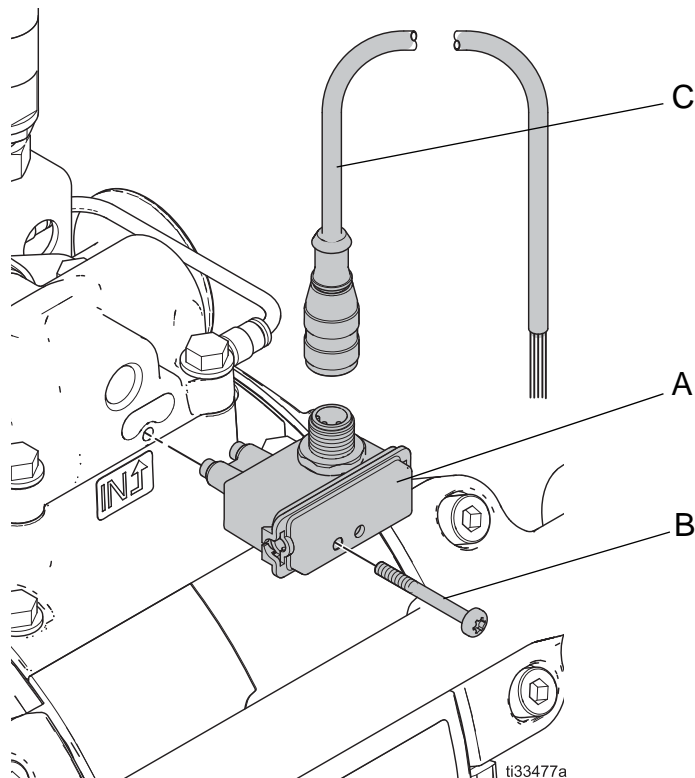


Important Safety Instructions

Read all warnings and instructions in the Endura-Flo Diaphragm Pump manual 333015 before using the equipment. Save all instructions.

Ref.	Description	Qty.
A	SWITCH, reed assembly	1
B	FASTENER, SCREW, slot	1
C	CABLE, M12 5-Pin, 1.0 meter long	1

Pin	Wire Color	Connection
1	Brown	Not Used
2	White	Not Used
3	Blue	Switch 1
4	Black	Switch 2
5	Gray	Common



Technical Data

Ex Ratings

Classification “simple apparatus” in accordance with UL/EN/IEC 60079-11, clause 5.7

Class I, Div 1, Group A, B, C, D T4
 $-40^{\circ}\text{C} \leq T_a \leq 60^{\circ}\text{C}$



II 1 G
Ex ia IIC T4 Ga
 $-40^{\circ}\text{C} \leq T_a \leq 60^{\circ}\text{C}$

Parameters $U_i = 45\text{ V}$
 $I_i = 250\text{ mA}$
 $P_i = 1.2\text{ W}$
 $C_i = 100\text{ pF}$
 $L_i = 0.4\text{ }\mu\text{H}$

*All written and visual data contained in this document reflects the latest product information available at the time of publication.
Graco reserves the right to make changes at any time without notice.*

Original instructions. *This manual contains English. MM 3A5753*

Graco Headquarters: Minneapolis
International Offices: Belgium, China, Japan, Korea

GRACO INC. AND SUBSIDIARIES • P.O. BOX 1441 • MINNEAPOLIS MN 55440-1441 • USA

Copyright 2018, Graco Inc. All Graco manufacturing locations are registered to ISO 9001.

www.graco.com
Revision C, 6/2019