

Installation, Parts



APX Sprayer Hose Reel

3A5027A
EN

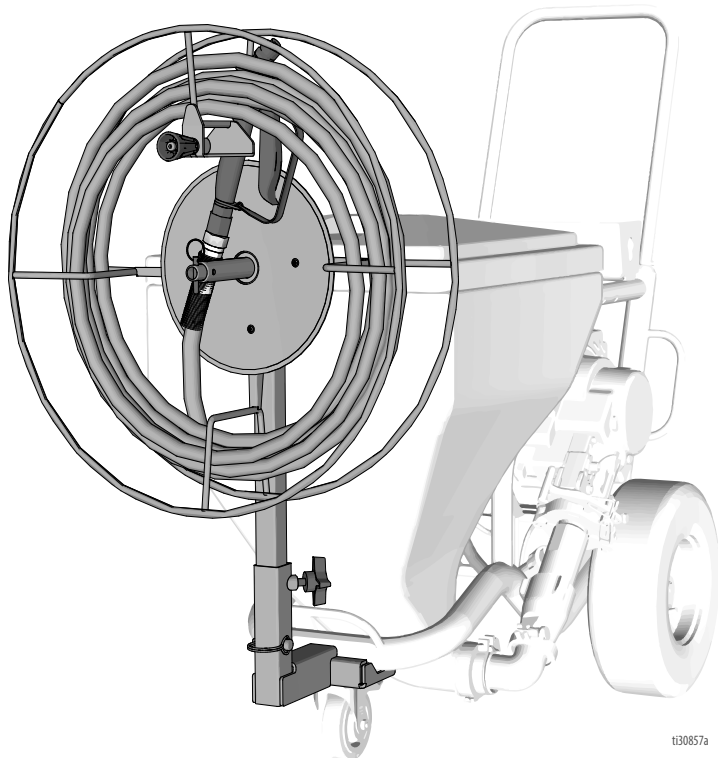
Hose reel accessory for high production plastering applications.
For professional use only.

Model: 17R720



Important Safety Instructions

Read all warnings and instructions in this manual and in related manuals. Be familiar with the controls and the proper usage of the equipment. Save all instructions.

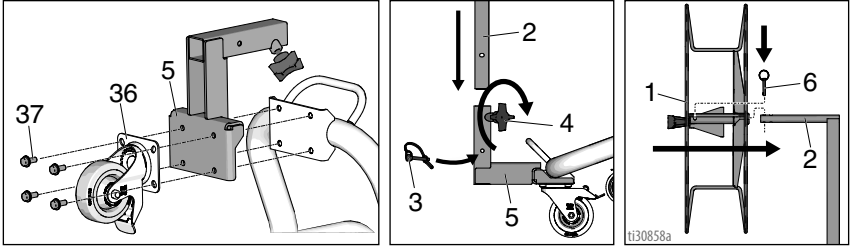


t130857a



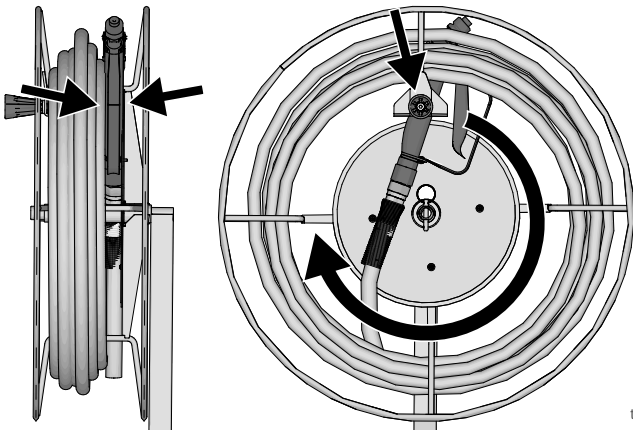
PROVEN QUALITY. LEADING TECHNOLOGY.

APX Hose Reel



Assemble hose reel to the sprayer:

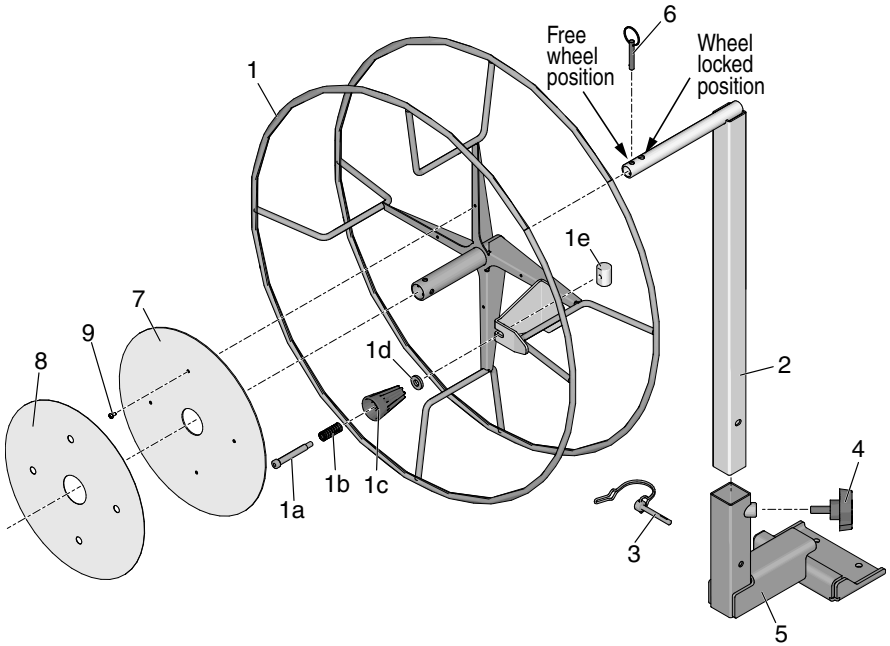
- Tip sprayer back and remove swivel caster (36) by removing the four capscrews (37).
- Secure hose reel receiver base (5) to sprayer between the swivel caster (36) and the sprayer cart. Use the four capscrews removed earlier (37). Torque capscrews to 200-230 in-lb (22.6-26 N•m).
- Lower sprayer back onto the swivel caster.
- Slide hose reel post (2) into hose reel receiver base (5).
- Insert locking pin (6) and secure hose reel post (2) to hose reel receiver base (5) with knob (4).
- Slide hose reel (1) onto hose reel post (2).
- Hold hose reel (1) in place by inserting the quick release hitch pin (3) through the hole in the hose reel post (2).



Hose Reel Operation:

- Hook gun on hose reel.
- Grasp hose reel handle and turn hose reel clockwise to wind hose on to the hose reel.
- Remove quick release hitch pin (3) and insert it through hose reel (1) in to the rear hole in the hose reel post (2). This locks the hose reel and prevents the hose from unwinding.

17R720 APX Hose Reel Parts



ti30860a

Ref.	Part	Description	Qty.	Ref.	Part	Description	Qty.
1	17R722	REEL, hose	1	4	111145	KNOB, pronged	1
1a	122518	SCREW, shoulder, socket head	1	5	17R711	BASE, receiver	1
1b	122542	SPRING	1	6	121313	PIN, locking, 1/4"	1
1c	278085	HANDLE, swivel	1	7	17S003	PLATE, label, hose reel	1
1d	122669	WASHER, flat	1	8	17S005	LABEL, instructions, hose reel	1
1e	15X618	NUT, swivel, handle	1	9	105685	SCREW, thread forming, panhead	4
2	17R723	POST, hose reel	1				
3	118558	PIN, quick release, hitch	1				

Graco Information

For the latest information about Graco products, visit www.graco.com.

For patent information, see www.graco.com/patents.

TO PLACE AN ORDER, contact your Graco distributor or call 1-800-690-2894 to identify the nearest distributor.

All written and visual data contained in this document reflects the latest product information available at the time of publication.

Graco reserves the right to make changes at any time without notice.

Original instructions. This manual contains English. MM 3A5027

Graco Headquarters: Minneapolis

International Offices: Belgium, China, Japan, Korea

GRACO INC. AND SUBSIDIARIES • P.O. BOX 1441 • MINNEAPOLIS MN 55440-1441 • USA

Copyright 2017, Graco Inc. All Graco manufacturing locations are registered to ISO 9001.

www.graco.com

Revision A, March 2017