

# Installation



## T-Max 405 Bag Roller™

309976C

### Model 289588, Series A



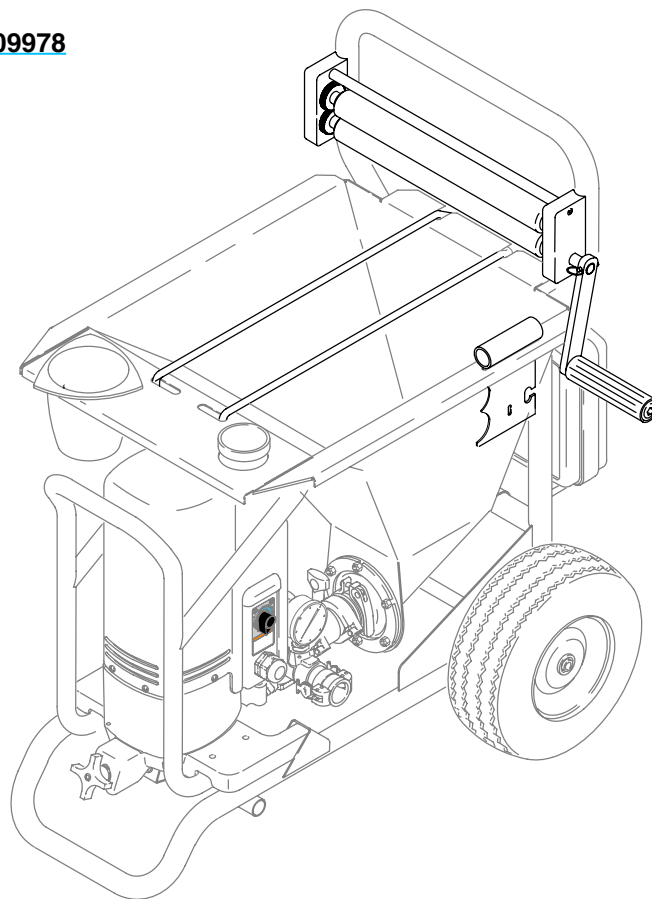
Read warnings and instructions in 309973



..... [309973](#)



..... [309978](#)



PROVEN QUALITY. LEADING TECHNOLOGY.

## Mount Bag Roller on Sprayer

1. Remove bag roller from crate.
2. Fig. 1. Install bag roller assembly on T-Max 405 sprayer handle with four screws (15).
3. Install crank handle assembly (A) with ring detent pin (11).

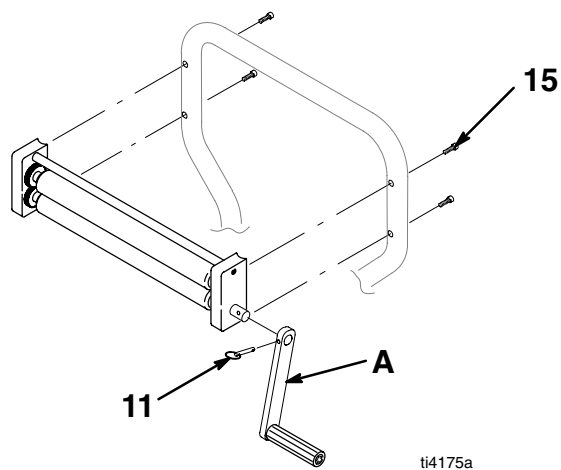


Fig. 1

## Operation

1. Fig. 2. Feed bottom of bag (B) into bag roller. Turn crank handle assembly (13) enough to start to pull bag through rollers. Cut off top of bag.
2. Fig. 2. Turn crank handle assembly (A) and squeeze the contents of bag into texture hopper.

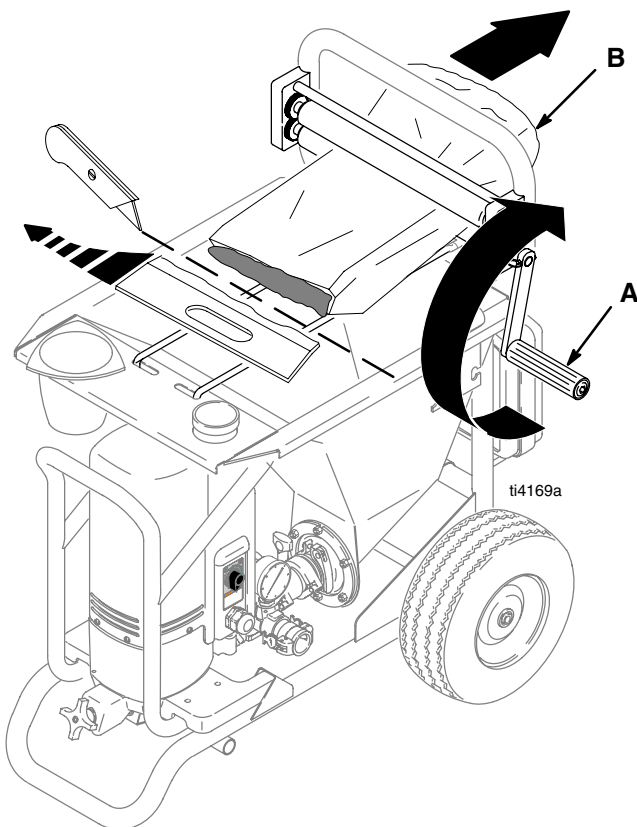
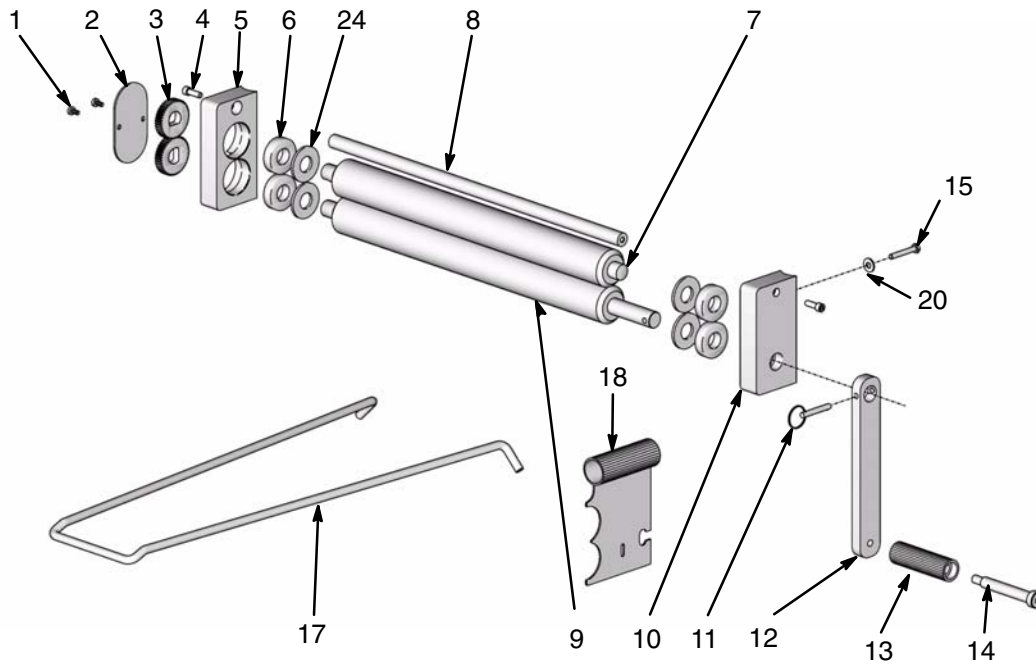


Fig. 2

# Parts



ti11567a

| REF NO. | PART NO. | DESCRIPTION                   | QTY | REF NO. | PART NO. | DESCRIPTION          | QTY |
|---------|----------|-------------------------------|-----|---------|----------|----------------------|-----|
| 1       | 110637   | SCREW, shc, 10-24 x .375      | 2   | 11      | 118558   | PIN, ring detent     | 1   |
| 2       | 15C680   | PLATE, cover                  | 1   | 12      | 15C487   | ARM, crank           | 1   |
| 3       | 15C547   | GEAR, roller                  | 2   | 13      | 15C681   | HANDLE, crank        | 1   |
| 4       | 112166   | SCREW, cap, shc, 10-24 x 1.00 | 2   | 14      | 118519   | SCREW, shoulder, shc | 1   |
| 5       | 15R679   | BLOCK, gears mounting         | 1   | 15      | 115138   | SCREW, cap, hex hd   | 4   |
| 6       | 121326   | BEARING, sleeve               | 4   | 17      | 15D636   | RACK, bag            | 1   |
| 7       | 15R710   | ROLLER, top                   | 1   | 18      | 15D949   | TOOL, multi-purpose  | 1   |
| 8       | 15C923   | BRACE, bag roller             | 1   | 20      | 110755   | WASHER, plain        | 4   |
| 9       | 15R729   | ROLLER, bottom                | 1   | 21      | 121333   | WASHER, foam         | 4   |
| 10      | 15R678   | BLOCK, rollers mounting       | 1   |         |          |                      |     |

# Graco Warranty

Graco warrants all equipment listed in this manual which is manufactured by Graco and bearing its name to be free from defects in material and workmanship on the date of sale to the original purchaser for use. With the exception of any special extended or limited warranty published by Graco, Graco will, for a period of 12 months from the date of sale, repair or replace any part of the equipment determined by Graco to be defective. This warranty applies only when the equipment is installed, operated and maintained in accordance with Graco's written recommendations.

This warranty does not cover, and Graco shall not be liable for general wear and tear, or any malfunction, damage or wear caused by faulty installation, misapplication, abrasion, corrosion, inadequate or improper maintenance, negligence, accident, tampering, or substitution of non-Graco component parts. Nor shall Graco be liable for malfunction, damage or wear caused by the incompatibility of Graco equipment with structures, accessories, equipment or materials not supplied by Graco, or the improper design, manufacture, installation, operation or maintenance of structures, accessories, equipment or materials not supplied by Graco.

This warranty is conditioned upon the prepaid return of the equipment claimed to be defective to an authorized Graco distributor for verification of the claimed defect. If the claimed defect is verified, Graco will repair or replace free of charge any defective parts. The equipment will be returned to the original purchaser transportation prepaid. If inspection of the equipment does not disclose any defect in material or workmanship, repairs will be made at a reasonable charge, which charges may include the costs of parts, labor, and transportation.

Graco's sole obligation and buyer's sole remedy for any breach of warranty shall be as set forth above. The buyer agrees that no other remedy (including, but not limited to, incidental or consequential damages for lost profits, lost sales, injury to person or property, or any other incidental or consequential loss) shall be available. Any action for breach of warranty must be brought within 2 years of the date of sale.

**GRACO MAKES NO WARRANTY, AND DISCLAIMS ALL IMPLIED WARRANTIES OF MERCHANTABILITY AND FITNESS FOR A PARTICULAR PURPOSE IN CONNECTION WITH ACCESSORIES, EQUIPMENT, MATERIALS OR COMPONENTS SOLD BUT NOT MANUFACTURED BY GRACO.** These items sold, but not manufactured by Graco (such as electric motors, gas engines, switches, hose, etc.), are subject to the warranty, if any, of their manufacturer. Graco will provide purchaser with reasonable assistance in making any claim for breach of these warranties.

In no event will Graco be liable for indirect, incidental, special or consequential damages resulting from Graco supplying equipment hereunder, or the furnishing, performance, or use of any products or other goods sold hereto, whether due to a breach of contract, breach of warranty, the negligence of Graco, or otherwise.

## **FOR GRACO CUSTOMERS SPEAKING FRENCH, SPANISH AND PORTUGUESE**

The parties acknowledge that they have required that the present document, as well as all documents, notices and legal proceedings entered into, given or instituted pursuant hereto or relating directly or indirectly hereto, be drawn up in English.

## **POUR LES CLIENTS DE GRACO PARLANT FRANÇAIS**

Les parties reconnaissent avoir convenu que la rédaction du présent document, ainsi que tous les documents, avis et procédures judiciaires exécutés, donnés ou intentés à la suite de ou en rapport, directement ou indirectement, avec les procédures concernées, sera en anglais.

## **PARA CLIENTES DE GRACO DE HABLA ESPAÑÓLES**

Las partes reconocen que han requerido que el presente documento, al igual que todos los documentos, notificaciones y procedimientos legales en que se incurra conforme a esta información o en relación indirecta o directa con la misma, sea redactado en inglés.

## **PARA CLIENTES DE LÍNGUA PORTUGUESA DA GRACO**

As partes confirmam que solicitaram que o presente documento, assim como todos os demais documentos, notas e processos legais inseridos, atribuídos ou instituídos de acordo com o mesmo ou relacionados direta ou indiretamente a este documento, fossem redigidos em inglês.

## **ADDITIONAL WARRANTY COVERAGE**

Graco does provide extended warranty and wear warranty for products described in the "Graco Contractor Equipment Warranty Program".

# Graco Phone Number

**TO PLACE AN ORDER**, contact your Graco distributor, or call **1-800-690-2894 Toll Free**, to identify the distributor closest to you.

*All written and visual data contained in this document reflects the latest product information available at the time of publication.  
Graco reserves the right to make changes at any time without notice.*

**Sales Offices:** Minneapolis

**International Offices:** Belgium, Korea, Hong Kong, Japan

**GRACO INC. P.O. BOX 1441 MINNEAPOLIS, MN 55440-1441**

**<http://www.graco.com>**

PRINTED IN U.S.A. 309976 4/2004, Revised 1/2008