

Manifold Kit 288729

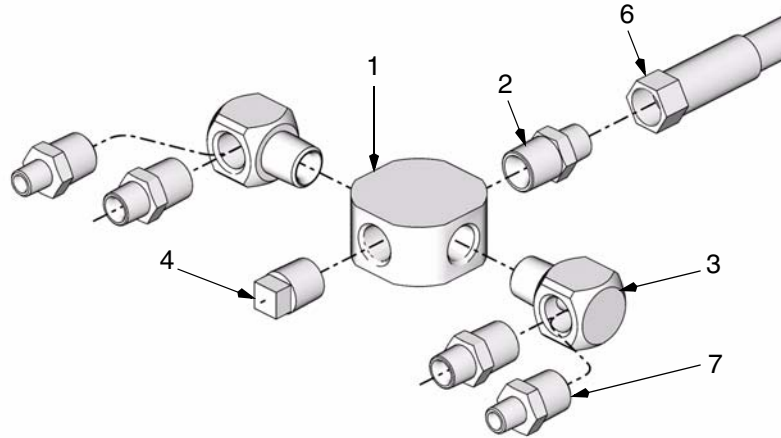
312047C



Important Safety Instructions

Read all warnings and instructions in related instruction/operation manual. Save these instructions.

Maximum Working Pressure: 5000 psi (34 MPa, 345 bar)



ti9332b

Ref	Part	Description	Qty
1	15K497	MANIFOLD, outlet, 1/2 in. x 1/2 in.	1
2	159239	FITTING, nipple, pipe, rdcg, 3/8 in. x 1/2 in.	3
3	158683	FITTING, elbow, 90 deg, 1/2 in. x 1/2 in.	2
4	100737	PLUG, pipe, 1/2 in.	1
6	H53803	HOSE, cpld, 5600 psi, .375 ID, 3 ft, 3/8 in.	1
7*	162449	FITTING, nipple, pipe, rdcg, 1/4 in. x 1/2 in.	2

* Included but not assembled

PROVEN QUALITY. LEADING TECHNOLOGY.

All written and visual data contained in this document reflects the latest product information available at the time of publication.
Graco reserves the right to make changes at any time without notice.

This manual contains English. MM 312047

Graco Headquarters: Minneapolis

International Offices: Belgium, China, Japan, Korea

GRACO INC. P.O. BOX 1441 MINNEAPOLIS, MN 55440-1441

www.graco.com

Written in USA 5/2007 Rev 05/2008