

# Instructions

# GREASE JOCKEY

TAX 12 Point Kit #26C151



## Important Safety Instructions

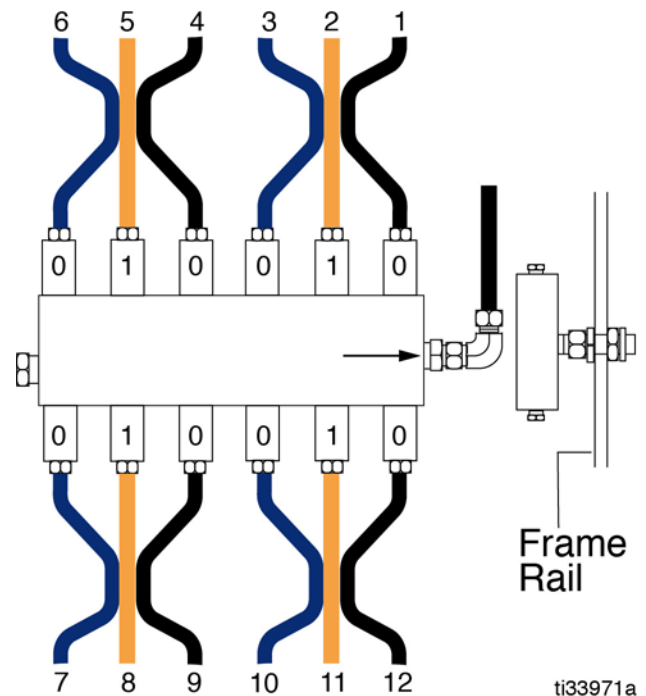
Read all warnings and instructions in this manual. Save these instructions.

3A6145A

EN

## Typical Layout

Point No.	Description	Meter Size	Tube Color	Bundle & marking
1	S-CAM TUBE	0	Black	3 Tube Bundle
2	SLACK ADJUSTER	1	Orange	
3	S-CAM TUBE	0	Blue	
4	S-CAM TUBE	0	Black	3 Tube Bundle
5	SLACK ADJUSTER	1	Orange	
6	S-CAM TUBE	0	Blue	
7	S-CAM TUBE	0	Blue	3 Tube Bundle
8	SLACK ADJUSTER	1	Orange	
9	S-CAM TUBE	0	Black	
10	S-CAM TUBE	0	Blue	3 Tube Bundle
11	SLACK ADJUSTER	1	Orange	
12	S-CAM TUBE	0	Black	



ti33971a

## Graco Information

For the latest information about Graco products, visit [www.graco.com](http://www.graco.com).

For patent information, see [www.graco.com/patents](http://www.graco.com/patents).

**TO PLACE AN ORDER**, contact your Graco distributor or call to identify the nearest distributor.

**Phone:** 612-623-6928 **or Toll Free:** 1-800-533-9655, **Fax:** 612-378-3590

*All written and visual data contained in this document reflects the latest product information available at the time of publication.  
Graco reserves the right to make changes at any time without notice.*

Original instructions. This manual contains English. MM3A6145

**Graco Headquarters:** Minneapolis

**International Offices:** Belgium, China, Japan, Korea

**GRACO INC. AND SUBSIDIARIES • P.O. BOX 1441 • MINNEAPOLIS MN 55440-1441 • USA**  
**Copyright 2018, Graco Inc. All Graco manufacturing locations are registered to ISO 9001.**

[www.graco.com](http://www.graco.com)  
Revision A, May 2018