

GENUINE GRACO PARTS AND ACCESSORIES



# 243152 Diaphragm Repair Kit

For TRITON<sup>®</sup> 1030HP and 3D350HP Double Diaphragm Pumps



### Important Safety Instructions

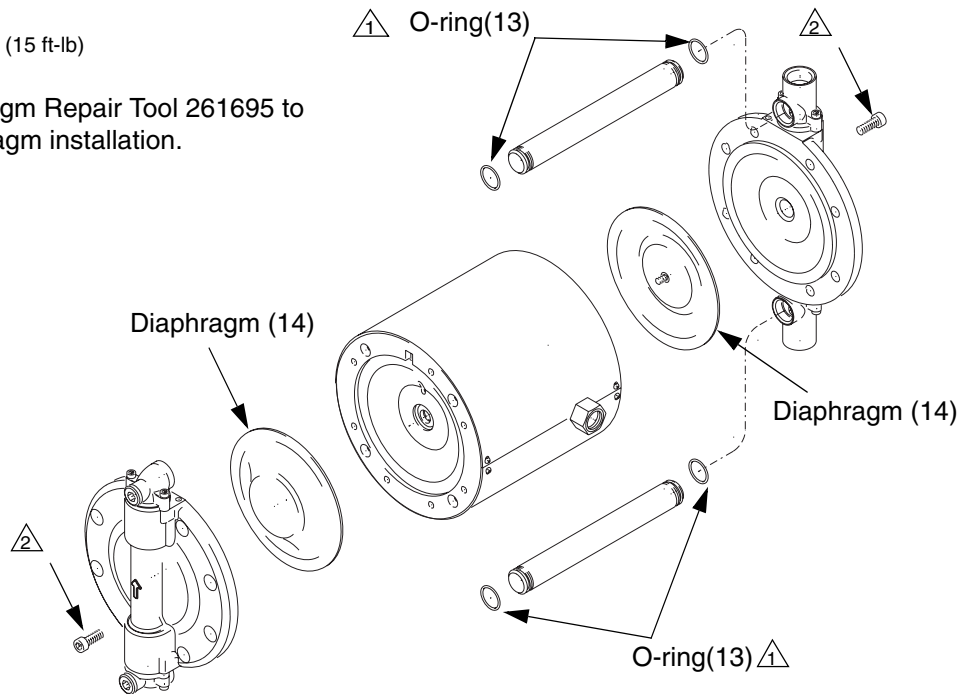
Read all warnings and instructions in manual 309476 or 311689. Save those instructions.

406548D

⚠ Lubricate

⚠ Torque to 20 N•m (15 ft-lb)

Purchase Diaphragm Repair Tool 261695 to assist with diaphragm installation.



ti1959a

Graco Inc. P.O. Box 1441 Minneapolis, MN 55440-1441

406548 Rev. D 10/2006 Printed in USA

Copyright 2002, Graco Inc. is registered to I.S. EN ISO 9001