



## Bulk Pack Replacement Parts

Ref.	Part	Description	Qty.
103*	---	THROAT PACKINGS	1
104*	---	PISTON PACKINGS	1
109*	244893	O-RING, PTFE, top cylinder; medium (10/pack)	1
112*	244898	BALL, piston, 7/8 in. (22 mm) diameter (3/pack)	1
116*	253030	BALL, inlet, 1.5 in. (38 mm) diameter (3/pack)	1
117	244856	SHIM, inlet, ball guide (9/pack)	3
119*	244999	PLUG, throat seal (10/pack)	1
119*	247395	PLUG, throat seal (10/pack)	1
122*	244895	O-RING, filter; thin, PTFE (10/pack)	1
123	238436	STRAINER, 30 mesh screen, 5.65 in. (143.5 mm) (25/pack)	1
123	224458	STRAINER, 30 mesh screen, 5.65 in. (143.5 mm) (2/pack)	1
123	224459	STRAINER, 60 mesh screen, 5.65 in. (143.5 mm) (2/pack)	1
123	238438	STRAINER, 60 mesh screen, 5.65 in. (143.5 mm) (25/pack)	1
125*†	262484	O-RING, lower cap (10/pack)	1
	244896	For Series A pumps (10/pack)	1
127*	244894	O-RING, PTFE; thin (10/pack)	4
132*	244891	O-RING, PTFE, blue (10/pack)	1
143	116802	SPRING, foot valve; 262793 only	1
159*†	262483	O-RING, top cap (10 pack)	1
	244895	For Series A pumps (10/pack)	1

\* Included in Seal Repair Kits.

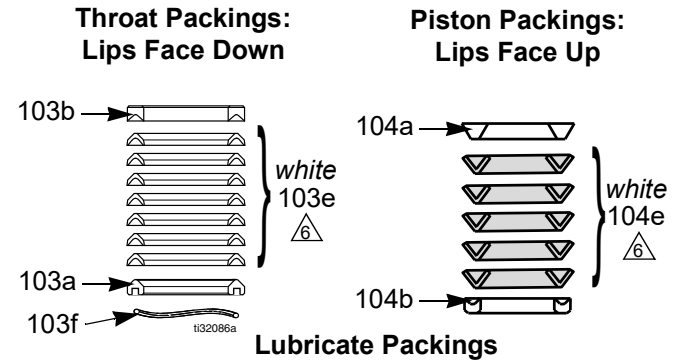
† See page 3 to match correct o-ring with pump series. Discard unused o-rings; they do not fit different series pumps.

Thick, medium, and thin refers to the relative cross-section thickness of the o-rings.

**NOTE:** The L22AC0 model uses a 30 mesh filter.

## Full Repair Kit - PTFE - \*25D246

(\*Includes items shown in Replacement Parts table)



## Throat Seal Repair Kit - PTFE - 25D153

**Includes:**

Ref.	Description	Qty.
103a	GLAND, male, throat	1
103b	GLAND, female, throat	1
103e	V-PACKING, PTFE, throat (white)	7
103f	WAVE SPRING	1

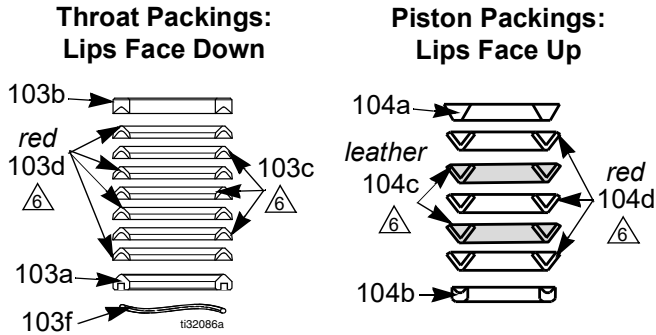
## Piston Seal Repair Kit - PTFE - 25D163

**Includes:**

Ref.	Description	Qty.
104a	GLAND, male, piston	1
104b	GLAND, female, piston	1
104e	V-PACKING, PTFE, piston (white)	5

**Full Repair Kit - Graco Formulated  
UHMWPE/Leather - \*25D236**

(\*Includes items shown in Replacement Parts table)

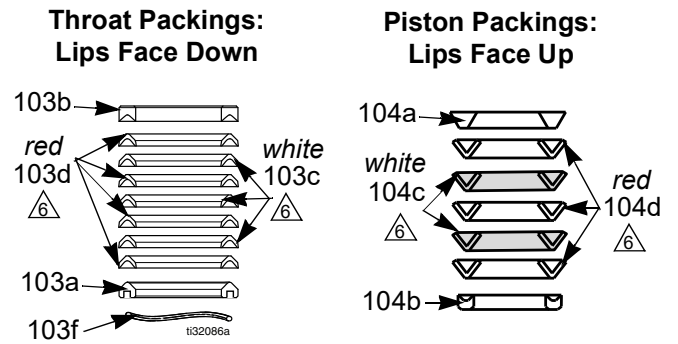


**Lubricate Packings**

(soak leather packings in oil for 1 hour)

**Full Repair Kit - Graco Formulated  
UHMWPE/PTFE - \*25D260**

(\*Includes items shown in Replacement Parts table)



**Lubricate Packings**

**Throat Seal Repair Kit - Graco Formulated  
UHMWPE/Leather - 25D136**

**Includes:**

Ref.	Description	Qty.
103a	GLAND, male, throat	1
103b	GLAND, female, throat	1
103c	V-PACKING, leather, throat	3
103d	V-PACKING, UHMWPE, throat (red)	4
103f	WAVE SPRING	1

**Piston Seal Repair Kit - Graco Formulated  
UHMWPE/Leather - 25D143**

**Includes:**

Ref.	Description	Qty.
104a	GLAND, male, piston	1
104b	GLAND, female, piston	1
104c	V-PACKING, leather, piston	2
104d	V-PACKING, UHMWPE, piston (red)	3

**Throat Seal Repair Kit - Graco Formulated  
UHMWPE/PTFE - 25D177**

**Includes:**

Ref.	Description	Qty.
103a	GLAND, male, throat	1
103b	GLAND, female, throat	1
103c	V-PACKING, PTFE, throat (white)	3
103d	V-PACKING, UHMWPE, throat (red)	4
103f	WAVE SPRING	1

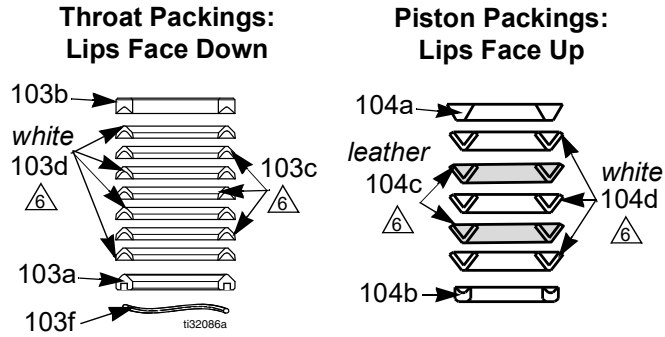
**Piston Seal Repair Kit - Graco Formulated  
UHMWPE - PTFE - 25D191**

**Includes:**

Ref.	Description	Qty.
104a	GLAND, male, piston	1
104b	GLAND, female, piston	1
104c	V-PACKING, PTFE, piston (white)	2
104d	V-PACKING, UHMWPE, piston (red)	3

**Full Repair Kit - Graco Formulated  
PTFE/Leather - \*26D697**

(\*Includes items shown in Replacement Parts table)



**Lubricate Packings**

(soak leather packings in oil for 1 hour)

**Throat Seal Repair Kit - Graco Formulated  
PTFE/Leather - 260842**

**Includes:**

Ref.	Description	Qty.
103a	GLAND, male, throat	1
103b	GLAND, female, throat	1
103c	V-PACKING, leather, throat	3
103d	V-PACKING, PTFE, throat (white)	4
103f	WAVE SPRING	1

**Piston Seal Repair Kit - Graco Formulated  
PTFE/Leather - 26D696**

**Includes:**

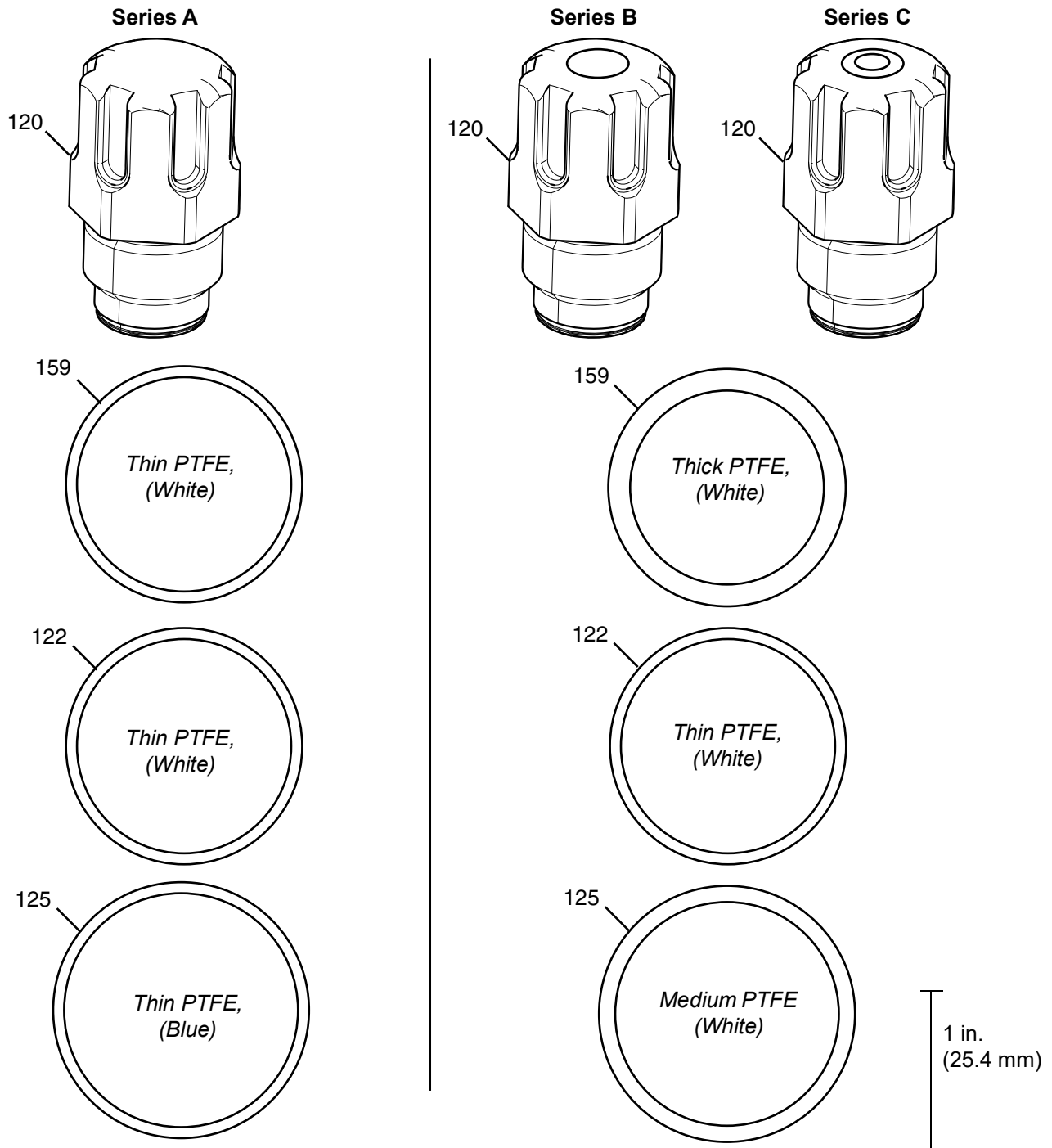
Ref.	Description	Qty.
104a	GLAND, male, piston	1
104b	GLAND, female, piston	1
104c	V-PACKING, leather, piston	2
104d	V-PACKING, PTFE, piston (white)	3

# O-ring Chart

The pump series for all Xtreme and XP lowers are identified by the circular grooves on the top filter cap. Use the chart below to match the correct o-rings when rebuilding the pump.

The original filter cap seals were changed in 2010 for improved sealing. The o-rings are not interchangeable between different series filter caps. See **24F975 Filter Cap Conversion Kit**, page 4.

**Note:** The top filter cap is shown (not included in the repair kit). O-rings below are shown at actual size.

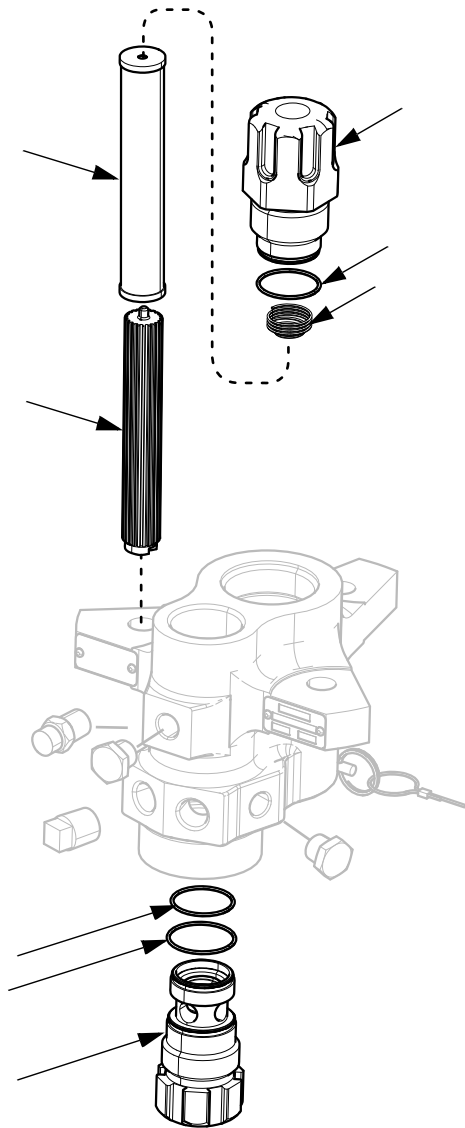


## 24F975 Filter Cap Conversion Kit

Purchase **24F975 Filter Cap Conversion Kit** to improve sealing of Series A filters. Includes components shown. See manual 406882 for more information.

### Benefits:

- Compatible with all sizes.
- Improves sealing
- Ensures filters are installed correctly



*All written and visual data contained in this document reflects the latest product information available at the time of publication.  
Graco reserves the right to make changes at any time without notice.*

*For patent information, see [www.graco.com/patents](http://www.graco.com/patents).*

*Original instructions. This manual contains English. MM 406892*

**Graco Headquarters:** Minneapolis

**International Offices:** Belgium, China, Japan, Korea

**GRACO INC. AND SUBSIDIARIES • P.O. BOX 1441 • MINNEAPOLIS MN 55440-1441 • USA**  
**Copyright 2010, Graco Inc. All Graco manufacturing locations are registered to ISO 9001.**

[www.graco.com](http://www.graco.com)

Revision M, August 2022