

Installation, Parts



Adjustable Bag Roller

3A4995C
EN

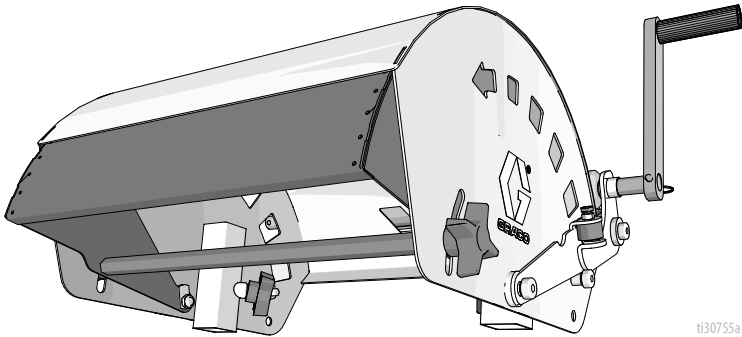
Hopper bag roller accessory for high production plastering applications.
For professional use only.

Models: 17P747, 17R172, 17R173, 17R174, 17Z186



Important Safety Instructions

Read all warnings and instructions in this manual and in related manuals. Be familiar with the controls and the proper usage of the equipment. Save all instructions.



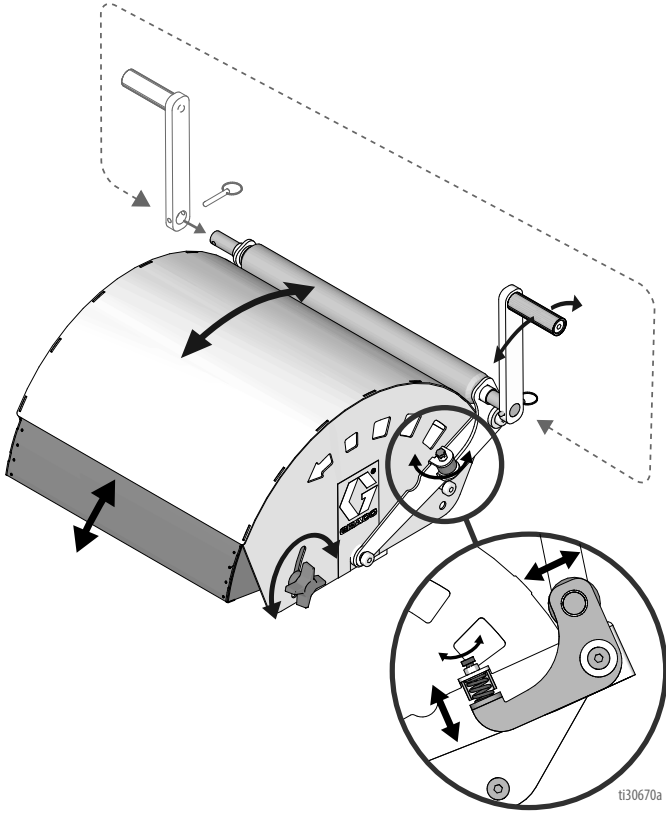
t130755a



PROVEN QUALITY. LEADING TECHNOLOGY.

APX 6200 / APX 8200 Bag Roller

APX 6200 / APX 8200 Bag Roller

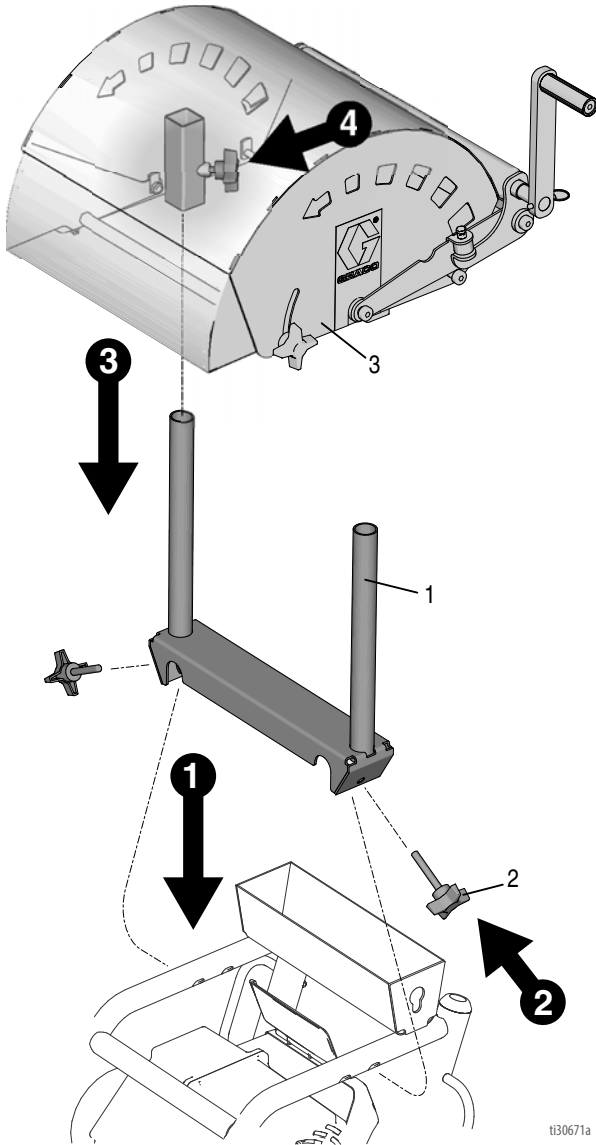


Assemble adjustable bag roller assembly to the sprayer:

- Secure bag roller mounting frame to sprayer.
- Make certain both knobs (2) go into the sprayer frame. Alternating between the two knobs tighten the knobs.
- Place roller assembly on the mounting frame.
- Adjust height of bag roller on the base according to the hopper height.
- Place bag roller on top of the sprayer and secure with hardware provided.
- The bag roller length is adjustable to accommodate various material bag lengths. Adjust by loosening the two handle screws and sliding the extension in or out.
- Increase bag roller tension by adjusting the tension on the two screws (19).

17R172 APX Bag Roller Parts

17R172 APX Bag Roller Parts

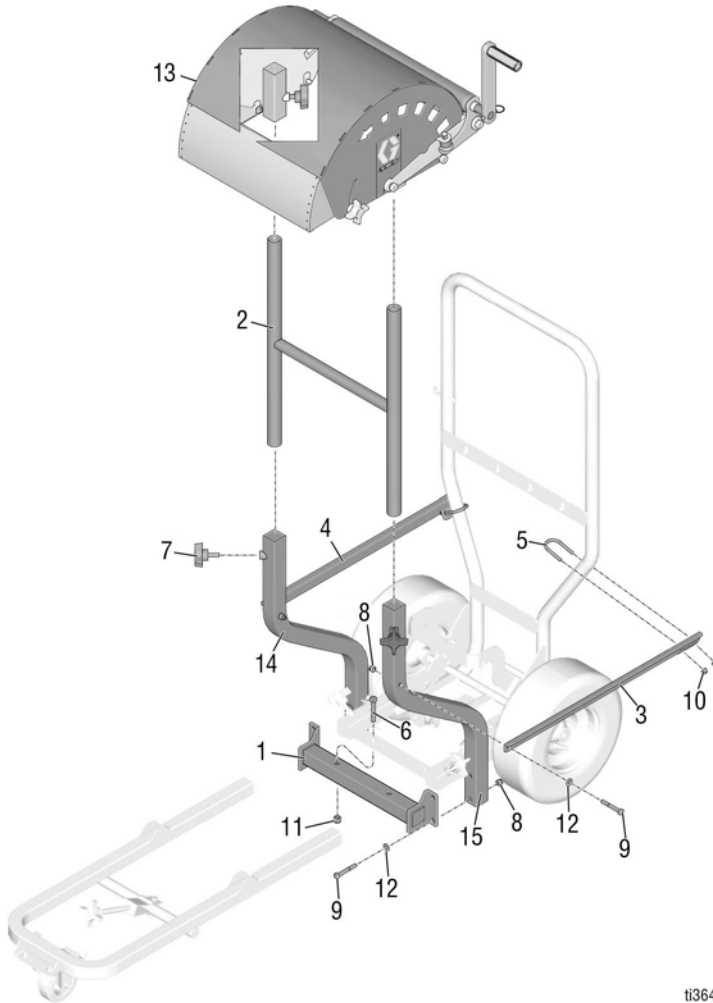


t130671a

Ref.	Part	Description	Qty.
1	17R169	BASE, bag roller <i>includes 2</i>	1
2	17P250	KNOB, pronged	2
3	17P747	ASSEMBLY, bag roller, painted	1

17Z186 T-Max Bag Roller Parts

17Z186 T-Max Bag Roller Parts



ti36482a

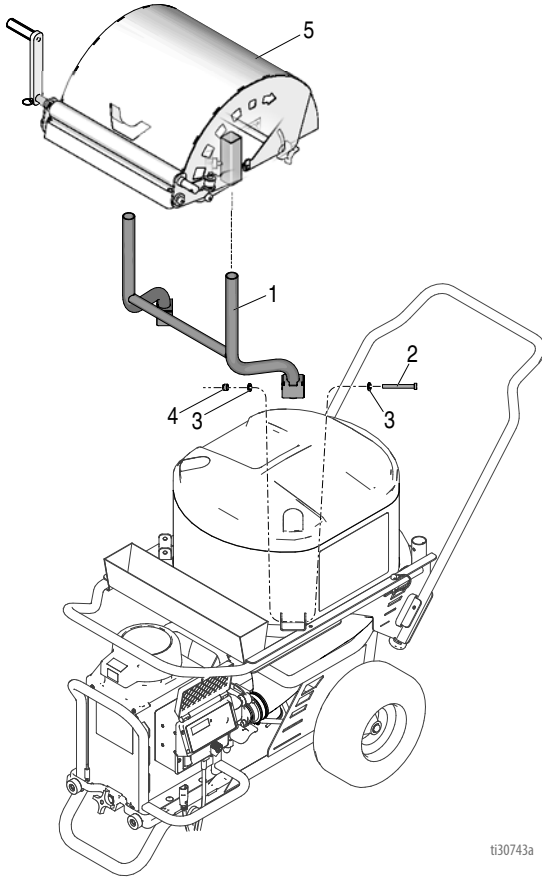
17Z186 T-Max Bag Roller Parts

17Z186 T-Max Bag Roller Parts List

Ref. Part	Description	Qty.	Ref. Part	Description	Qty.
1	17Z546 BASE, support	1	10	102040 NUT, lock	4
2	17Z540 FRAME, bag roller, upper	1	11	101566 NUT, lock	2
3	17Z542 BRACE, right arm, painted	1	12	104034 WASHER, plain	6
4	17Z544 BRACE, left arm, painted	1	13	17P747 ASSEMBLY, bag roller, painted	1
5	17Z553 CLAMP, u-bolt, 1/4-20	2		17Z473 KIT, bag roller mounting <i>includes 1 – 12, 14, 15</i>	1
6	105431 SCREW, cap, 3/8	2	14	17Z477 SUPPORT, left leg, painted	1
7	111145 KNOB, pronged	2	15	17Z474 SUPPORT, right leg, painted	1
8	111040 NUT, lock, 5/16	6			
9	108481 SCREW, cap, HH	6			

T-MAX 506/657 Bag Roller (17R173)

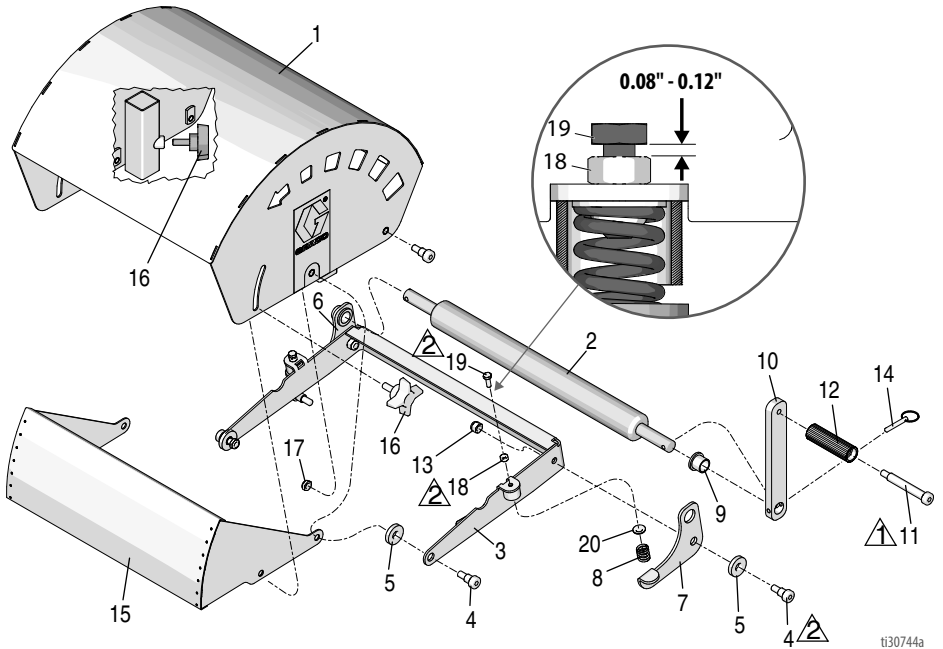
T-MAX 506/657 Bag Roller (17R173)



ti30743a

Ref.	Part	Description	Qty.
1	17R170	BASE, bag roller <i>includes 2, 3, 4</i>	1
2	121592	SCREW, cap, hex head	2
3	100731	WASHER	4
4	101566	NUT, lock	2
5	17P747	ASSEMBLY, bag roller, painted	1

17P747 Bag Roller Parts



t30744a

Ref. Part	Description	Qty.	Ref. Part	Description	Qty.
1	17P049 FRAME, bag roller, painted	1	13	101566 NUT, lock	2
2	17R095 ROLLER, bottom	1	14	118558 PIN, quick release, hitch	1
3	17P024 CARRIAGE, bag roller	1	15	17P003 EXTENSION, bag roller	1
4	126108 SCREW, shoulder, socket head	6	16	111145 KNOB, pronged	4
5	17R960 WASHER, flat	4	17	125205 NUT, lock, 3/8-16	2
6	17P046 BRACKET, lever, right	1	18	556371 NUT, hex, 1/4-28	2
7	17P047 BRACKET, lever, left	1	19	17P593 SCREW, cap, HH	2
8	115474 SPRING, compression	2	20	196299 GUIDE, spring, preload	2
9	867230 BEARING, flanged	2	23	17P397 LABEL, branding	2
10	15C487 ARM, crank	1			
11	118519 SCREW, shoulder, socket head	1			
12	15C681 HANDLE, crank	1			

Torques	
	Torque to 21-27 ft-lb (28.5 - 36.6 N•m)
	Torque to 10-12 ft-lb (13.6 - 16.3 N•m)

Graco Information

For the latest information about Graco products, visit www.graco.com.

For patent information, see www.graco.com/patents.

TO PLACE AN ORDER, contact your Graco distributor or call 1-800-690-2894 to identify the nearest distributor.

All written and visual data contained in this document reflects the latest product information available at the time of publication.

Graco reserves the right to make changes at any time without notice.

Original instructions. This manual contains English. MM 3A4995

Graco Headquarters: Minneapolis
International Offices: Belgium, China, Japan, Korea

GRACO INC. AND SUBSIDIARIES • P.O. BOX 1441 • MINNEAPOLIS MN 55440-1441 • USA

Copyright 2017, Graco Inc. All Graco manufacturing locations are registered to ISO 9001.

www.graco.com
Revision C, December 2019