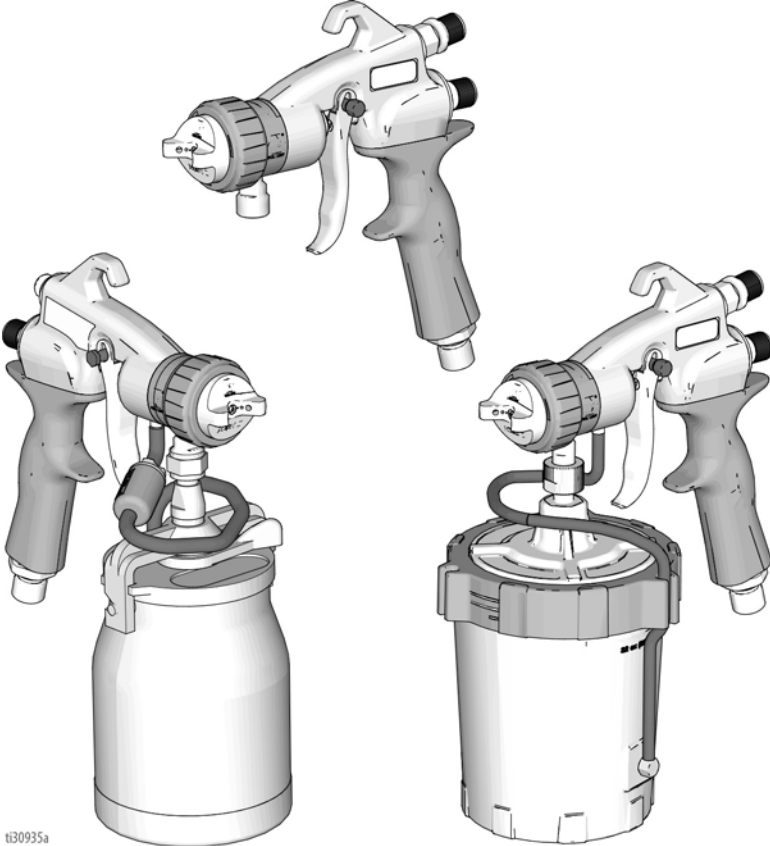


HVLP European Gun Manuals

3A5123B
EN

Language	HVLP Edge II / Edge II Plus Gun
English	3A5097
Français (French)	3A5098
Deutsch (German)	3A5100



*All written and visual data contained in this document reflects the latest product information available at the time of publication.
The manufacturer reserves the right to make changes at any time without notice.*

This manual contains English. MM 3A5123