

# Operation, Parts



GRACO

3A4696B

EN

# VIBRA-FLO™ Texture Hopper

*For professional use only.*

*Not approved for use in explosive atmosphere or hazardous locations.*

**Models: 17P002, 17P196**



## Important Safety Instructions

Read all warnings and instructions in this manual and related manuals.  
Be familiar with the controls and the proper usage of the equipment.  
Save these instructions.



t130745a



PROVEN QUALITY. LEADING TECHNOLOGY.

## Warnings

The following warnings are for the setup, use, grounding, maintenance, and repair of this equipment. The exclamation point symbol alerts you to a general warning and the hazard symbols refer to procedure-specific risks. When these symbols appear in the body of this manual or on warning labels, refer back to these Warnings. Product-specific hazard symbols and warnings not covered in this section may appear throughout the body of this manual where applicable.

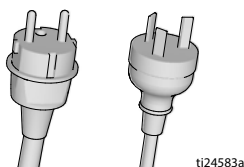
### **WARNING**



#### **GROUNDING**

This product must be grounded. In the event of an electrical short circuit, grounding reduces the risk of electric shock by providing an escape wire for the electric current. This product is equipped with a cord having a grounding wire with an appropriate grounding plug. The plug must be plugged into an outlet that is properly installed and grounded in accordance with all local codes and ordinances.

- Improper installation of the grounding plug is able to result in a risk of electric shock.
- When repair or replacement of the cord or plug is required, do not connect the grounding wire to either flat blade terminal.
- The wire with insulation having an outer surface that is green with or without yellow stripes is the grounding wire.
- Check with a qualified electrician or serviceman when the grounding instructions are not completely understood, or when in doubt as to whether the product is properly grounded.
- Do not modify the plug provided; if it does not fit the outlet, have the proper outlet installed by a qualified electrician.
- This product is for use on a nominal 230V circuit and has a grounding plug similar to the plugs illustrated below.



- Only connect the product to an outlet having the same configuration as the plug.
- Do not use an adapter with this product.

#### **Extension Cords:**

- Use only a 3-wire extension cord that has a grounding plug and a grounding receptacle that accepts the plug on the product.
- Make sure your extension cord is not damaged. If an extension cord is necessary use 12 AWG (2.5mm<sup>2</sup>) minimum to carry the current that the product draws.
- An undersized cord results in a drop in line voltage and loss of power and overheating.

## **WARNING**



### **EQUIPMENT MISUSE HAZARD**

Misuse can cause death or serious injury.



- Always wear appropriate gloves, eye protection, and a respirator or mask when painting.
- Do not operate or spray near children. Keep children away from equipment at all times.
- Do not overreach or stand on an unstable support. Keep effective footing and balance at all times.
- Stay alert and watch what you are doing.
- Do not operate the unit when fatigued or under the influence of drugs or alcohol.
- Do not kink or over-bend the material or air hose.
- Do not expose the hose to temperatures or to pressures in excess of those specified by Graco.
- Do not use the hose as a strength member to pull or lift the equipment.
- Do not alter or modify equipment. Alterations or modifications may void agency approvals and create safety hazards.
- Make sure all equipment is rated and approved for the environment in which you are using it.



### **ELECTRIC SHOCK HAZARD**

This equipment must be grounded. Improper grounding, setup, or usage of the system can cause electric shock.



- Turn off and disconnect power cord before servicing equipment.
- Connect only to grounded electrical outlets.
- Use only 3-wire extension cords.
- Ensure ground prongs are intact on power and extension cords.
- Do not expose to rain. Store indoors.
- Wait five minutes after disconnecting power cord before servicing.



### **PERSONAL PROTECTIVE EQUIPMENT**

Wear appropriate protective equipment when in the work area to help prevent serious injury, including eye injury, hearing loss, inhalation of toxic fumes, and burns. This protective equipment includes but is not limited to:

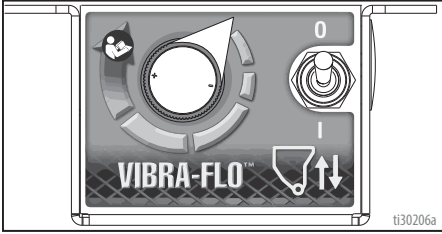
- Protective eyewear, and hearing protection.
- Respirators, protective clothing, and gloves as recommended by the fluid and solvent manufacturer.

# VIBRA-FLO Shaker Adjustment

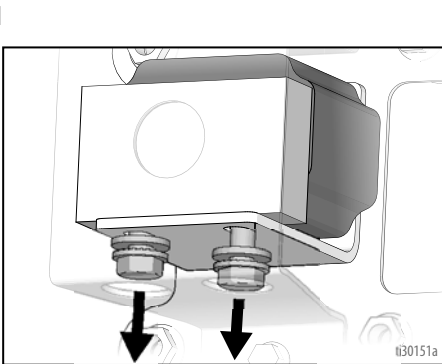
## VIBRA-FLO Shaker Adjustment

The VIBRA-FLO shaker is shipped preset for the best performance. The speed is adjusted by adjusting the VIBRA-FLO knob on the control.

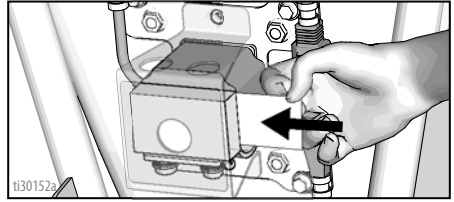
1. Turn VIBRA-FLO shaker ON/OFF switch to the ON position.



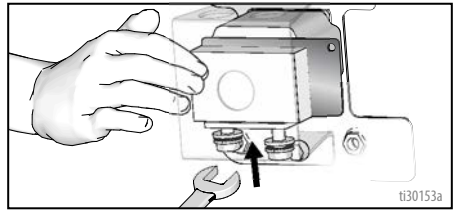
2. Turn VIBRA-FLO knob to maximum.
3. If the VIBRA-FLO shaker is making excessive noise turn the VIBRA-FLO knob to a lower setting. Depending upon the supply voltage the shaker may not operate if the VIBRA-FLO is set too low.
4. If the armature and coil needs adjustment, use a feeler gauge to adjust shaker gap. Set gap to 0.042 – 0.052 inch (1.06 – 1.32 mm).



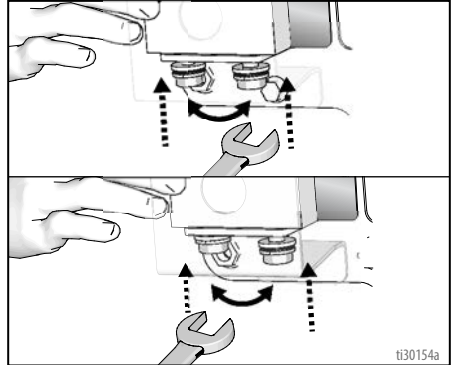
2



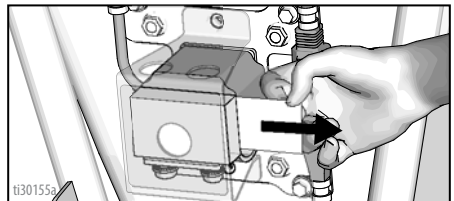
3



4



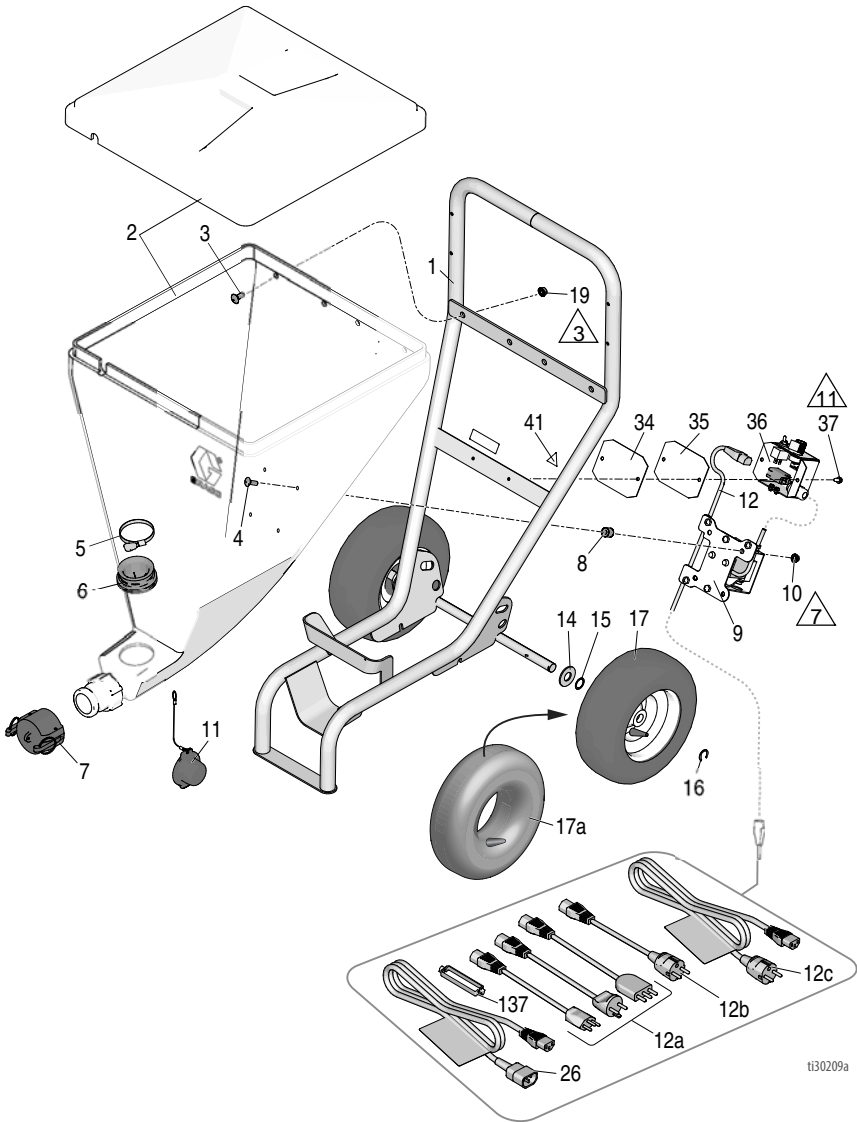
5





# VIBRA-FLO Texture Hopper Parts

## VIBRA-FLO Texture Hopper Parts



ti30209a

| Ref. | Torque                          | Ref. | Torque                      |
|------|---------------------------------|------|-----------------------------|
| △3   | 30-40 in-lb (3.4 - 4.5 N•m)     | △11  | 45-50 in-lb (5.1 - 5.7 N•m) |
| △7   | 170-190 in-lb (19.2 - 21.5 N•m) |      |                             |

# VIBRA-FLO Texture Hopper Parts

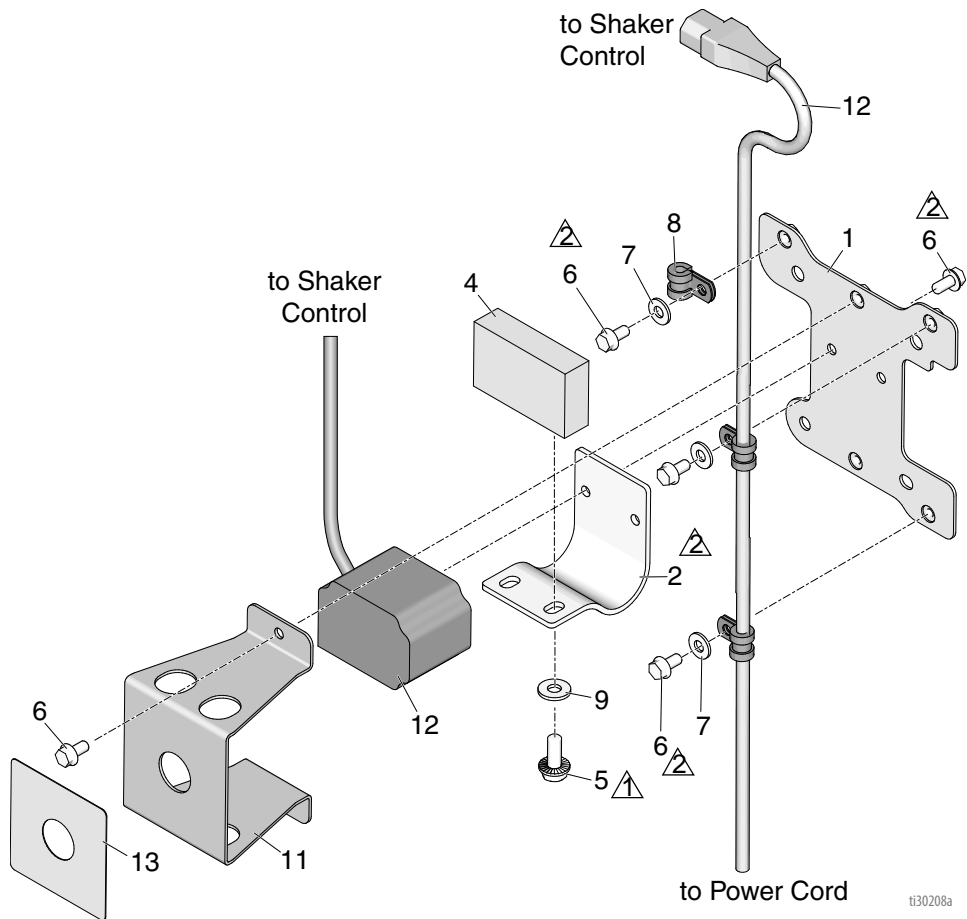
## VIBRA-FLO Texture Hopper Parts List

| Ref. | Part   | Description   | Qty. | Ref. | Part   | Description   | Qty. |
|------|--------|---|------|------|--------|---|------|
| 1    | 288062 | FRAME, hopper,<br>painted   | 1    | 15   | 116038 | WASHER, wave<br>spring  | 2    |
| 2    | 17R349 | ASSEMBLY, hopper<br><i>includes 6</i>   | 1    | 16   | 15E891 | CLIP, retaining   | 2    |
| 3    | 113956 | BOLT, carriage  | 4    | 17   | 119420 | WHEEL, pneumatic  | 2    |
| 4    | 17N821 | BOLT, carriage  | 4    | 17a  | 253132 | KIT, repair, tube   | 1    |
| 5    | 15H631 | CLAMP   | 1    | 19   | 112958 | NUT, hex, flanged   | 4    |
| 6    | 194420 | GROMMET, hopper   | 1    | 20   | 246331 | HOSE, drain <i>includes</i><br><i>21</i>                                      | 1    |
| 7    | 115735 | PLUG, 2" O.D.   | 1    | 21   | 241920 | DEFLECTOR,<br>threaded  | 1    |
| 8    | 17N820 | SPACER, shaker  | 4    | 22   | 116756 | FITTING, elbow, 45°   | 1    |
| 9    |        | ASSEMBLY, shaker,<br>see <b>VIBRA-FLO</b><br><b>Control Parts</b> , page 9        | 1    | 26   | 116281 | CORD, power, Model<br>17P002  | 1    |
| 10   | 110996 | NUT, hex, flange head   | 4    | 30   | 121249 | LOCK, cord  | 1    |
| 11   | 15H635 | PLUG, hopper  | 1    | 34   | 17R130 | PLATE, back, box,<br>control  | 1    |
| 12   |        | CORD, shaker,<br>control, see<br><b>VIBRA-FLO Shaker</b><br><b>Parts</b> , page 8 |      | 35   | 17R475 | GASKET, plate   | 1    |
| 12a  | 287121 | CORD, set, Italy,<br>Denmark, Switzerland   | 1    | 36   |        | BOX, control, shaker<br>see <b>VIBRA-FLO</b><br><b>Control Parts</b> , page 9 | 1    |
| 12b  | 242001 | CORDSET, adapter,<br>CEE 7/7, Europe  | 1    | 37   | 107257 | SCREW, thread<br>forming  | 2    |
| 12c  | 128206 | CORDSET, CEE 7/7,<br>Europe, Schuko,<br>Model 17P196                              | 1    | 41▲  | 189930 | LABEL, warning  | 1    |
| 14   | 156306 | WASHER, flat  | 2    | 137  | 121249 | RETAINER, plug<br>adapter   | 1    |

▲Replacement Danger and Warning labels, tags, and cards are available at no cost.

# VIBRA-FLO Shaker Parts

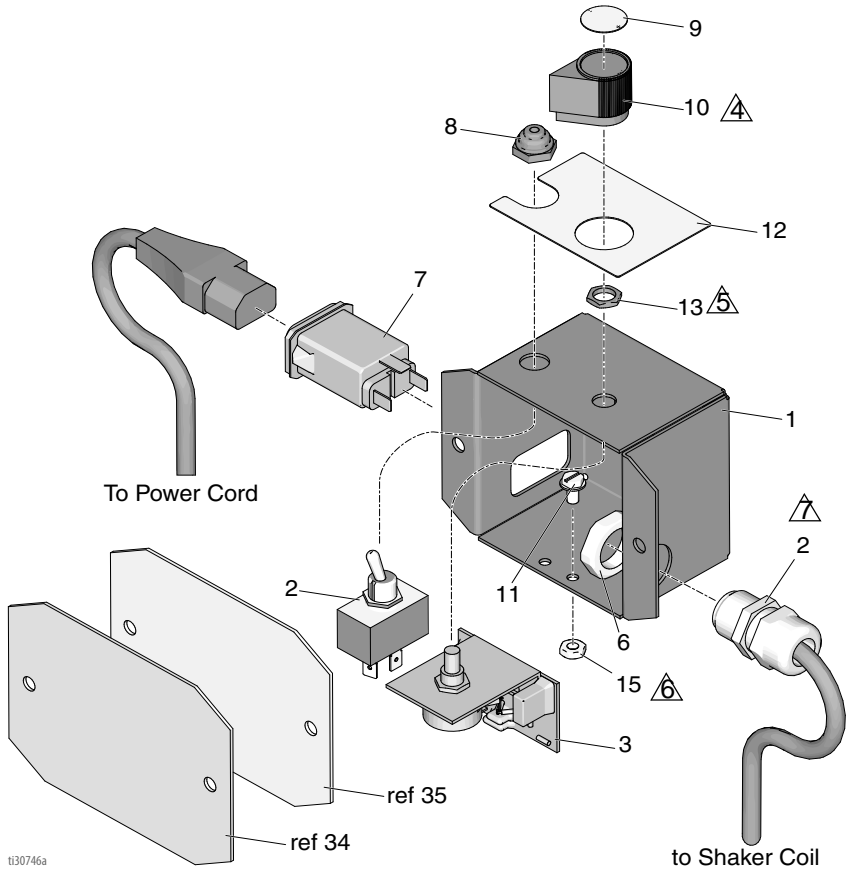
## VIBRA-FLO Shaker Parts



| Ref. | Torque                          | Ref. | Torque                        |
|------|---------------------------------|------|-------------------------------|
| ⚠    | 170-190 in-lb (19.2 - 21.5 N•m) | ⚠    | 80-100 in-lb (9.0 - 11.2 N•m) |

| Ref. | Part   | Description                 | Qty. | Ref. | Part   | Description             | Qty. |
|------|--------|-----------------------------|------|------|--------|-------------------------|------|
| 1    | 17N610 | PLATE, shaker               | 1    | 7    | 110755 | WASHER, flat            | 3    |
| 2    | 17N607 | BRACKET, mounting, armature | 1    | 8    | 17P261 | CLAMP, loop, cushioned  | 3    |
| 3    | 17R135 | COIL, electromagnetic, 230V | 1    | 9    | 100527 | WASHER, flat            | 2    |
| 4    | 17N606 | BLOCK, armature             | 1    | 11   | 17P658 | GUARD, shaker           | 1    |
| 5    | 111800 | SCREW, cap, HH              | 2    | 12   | 17R136 | CORD, control, shaker   | 1    |
| 6    | 113161 | SCREW, flange, HH           | 7    | 13   | 17P396 | LABEL, branding, shaker | 1    |

## VIBRA-FLO Control Parts



ti30746a

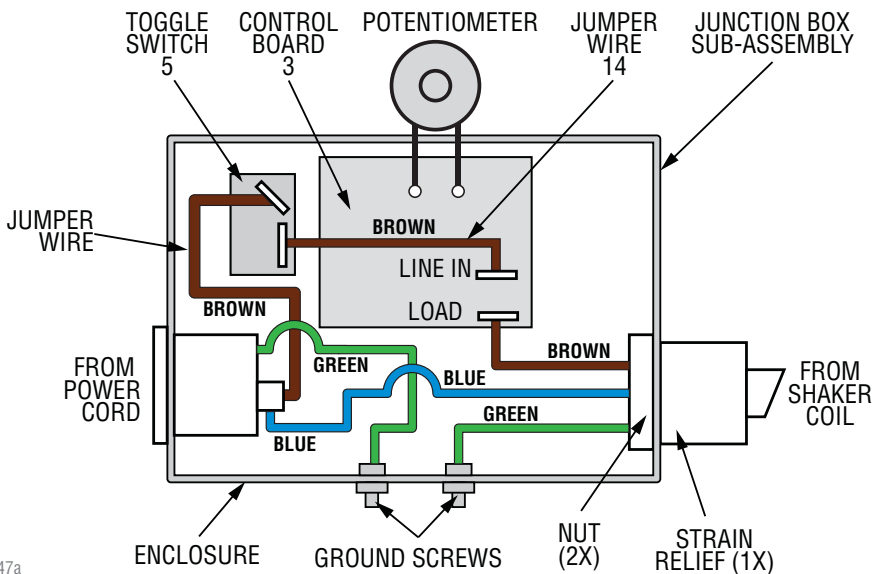
| Ref. | Torque                      | Ref. | Torque                      |
|------|-----------------------------|------|-----------------------------|
| △4   | 10-15 in-lb (1.1 - 1.7 N•m) | △6   | Hand tighten                |
| △5   | 22-28 in-lb (2.5 - 3.2 N•m) | △7   | 30-35 in-lb (3.4 - 3.9 N•m) |

| Ref. | Part   | Description                     | Qty. | Ref. | Part   | Description                               | Qty. |
|------|--------|---------------------------------|------|------|--------|---|------|
| 1    | 17S078 | ENCLOSURE, control              | 1    | 9    | 17J017 | LABEL                                     | 1    |
| 2    | 260067 | FITTING, strain relief, 1/2 NPT | 1    | 10   | 116167 | KNOB, potentiometer                       | 1    |
| 3    | 17S020 | BOARD, control, shaker          | 1    | 11   | 114391 | SCREW, grounding                          | 2    |
| 4    | 17R471 | INSULATOR, box                  | 1    | 12   | 17R347 | LABEL, control, shaker                    | 1    |
| 5    | 195429 | SWITCH, toggle                  | 1    | 13   | 119775 | NUT, panel                                | 1    |
| 6    | 117625 | NUT, locking                    | 1    | 14   | 17P082 | JUMPER, brown, not shown, see page 10     | 1    |
| 7    | 17S079 | FILTER, power line              | 1    | 15   | 113505 | NUT, keps, hex head                       | 2    |
| 8    | 195428 | BOOT, toggle                    | 1    |      | 17S012 | CONTROL, shaker, complete includes 1 - 15 | 1    |

# Wiring Diagram

## Wiring Diagram

### SHAKER CONTROL WIRING DIAGRAM



ti30747a

## Technical Specifications

|   |              |          |
|---|--------------|----------|
| 17P002, 17P196  |              |          |
|   | US           | Metric   |
| Hopper  |              |          |
| 230V, Ø, A, Hz  | 1Ø, 5, 50/60 |          |
| Environmental temperature range   | 40°–120°F    | 4°–49°C  |
| Minimum fluid temperature   | 40°F         | 4°C      |
| Dimensions  |              |          |
| Height  | 42 in.       | 106.7 cm |
| Length  | 31.5 in.     | 80.0 cm  |
| Width   | 22.5 in.     | 57.2 cm  |
| Weight  | 54 lb        | 24.5 kg  |
| Noise*  |              |          |
| Sound Power   | 84 dBa       |          |
| Sound Pressure  | 71 dBa       |          |
| Notes   |              |          |
| * Sound pressure measured 3 feet (1 meter) from equipment. Sound power measured per ISO-3744. |              |          |

# Graco Information

For the latest information about Graco products, visit [www.graco.com](http://www.graco.com).

For patent information, see [www.graco.com/patents](http://www.graco.com/patents).

**TO PLACE AN ORDER**, contact your Graco distributor or call 1-888-541-9788 to identify the nearest distributor.

*All written and visual data contained in this document reflects the latest product information available at the time of publication.*

*Graco reserves the right to make changes at any time without notice.*

Original instructions. This manual contains English. MM 3A4696

**Graco Headquarters:** Minneapolis  
**International Offices:** Belgium, China, Japan, Korea

**GRACO INC. AND SUBSIDIARIES • P.O. BOX 1441 • MINNEAPOLIS MN 55440-1441 • USA**

**Copyright 2017, Graco Inc. All Graco manufacturing locations are registered to ISO 9001.**

[www.graco.com](http://www.graco.com)  
Revision B, April 2017