

Tool Box Kit 257811

313766A

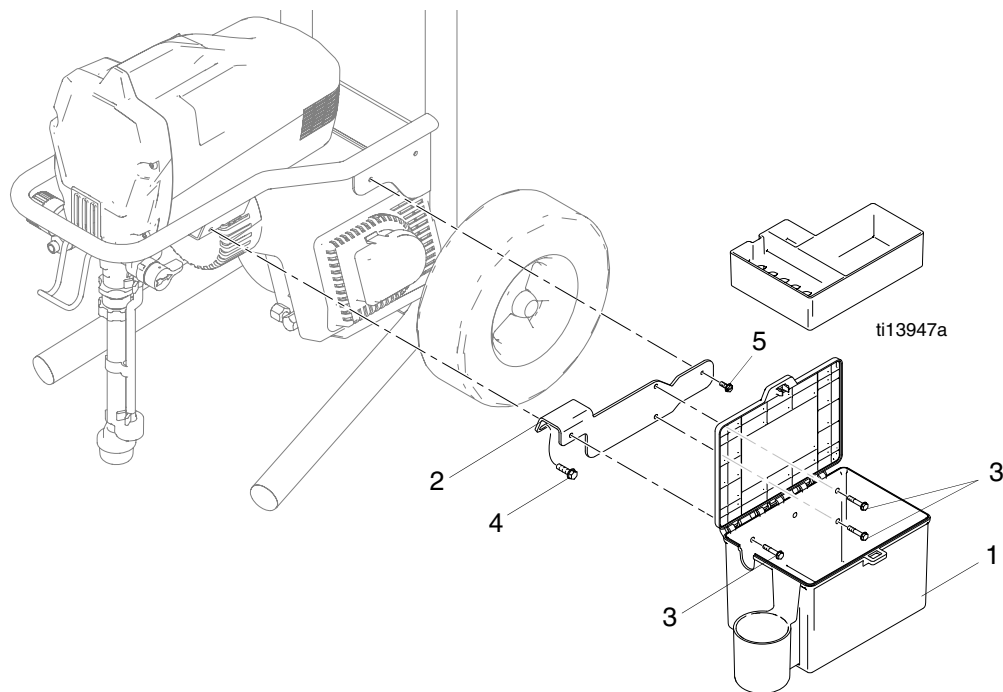
- For servicing the fluid pump motor or the compressor motor on the 257811 (120 Volt) FinishPro 290 -



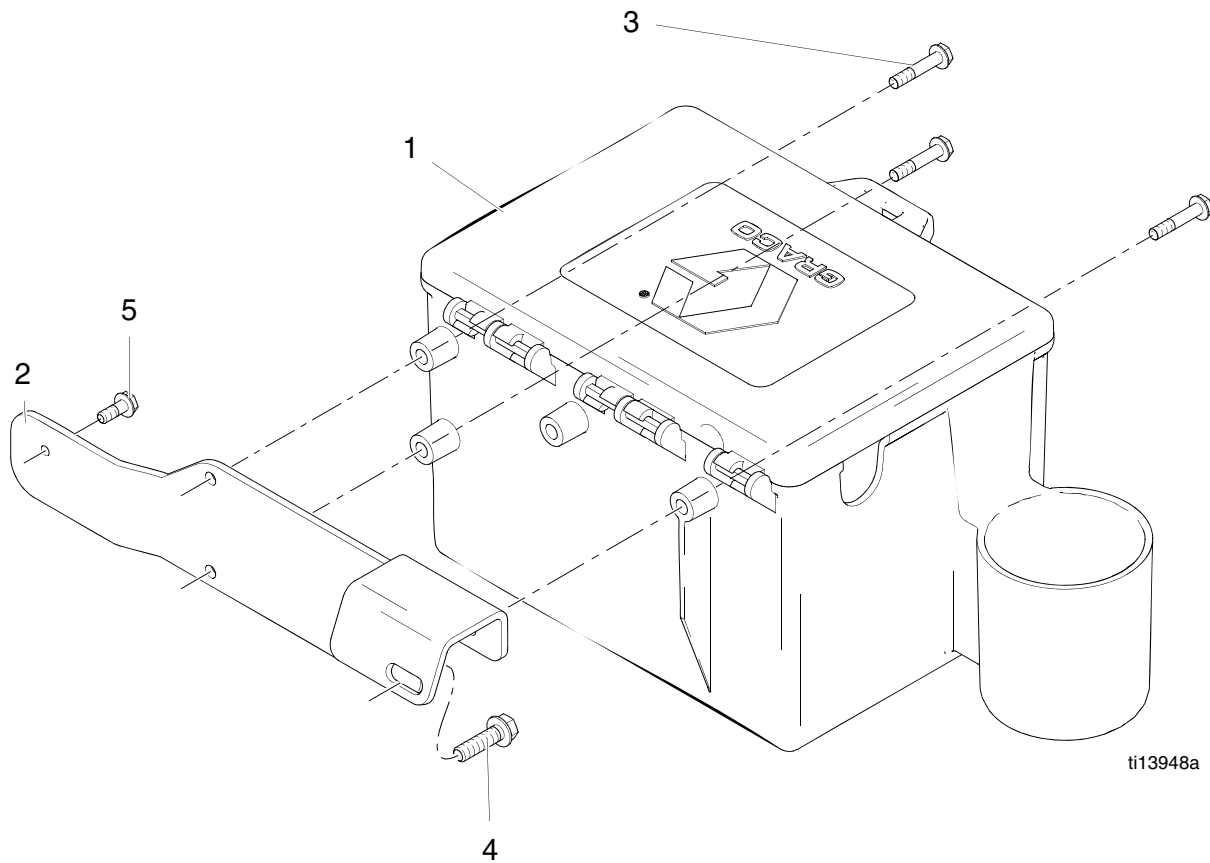
Important Safety Instructions

For detailed instructions and warnings, see sprayer manual.

1. Attach plate to frame using screws (4 and 5) in the locations shown. For easier mounting, install screw (5) first. Tighten securely.
2. Attach toolbox to plate using the three screws (3) provided. Torque to 30-35 in lb.



Parts



ti13948a

Ref.	Part	Description	Qty.
1	287184	TOOL BOX	1
2	15W871	BRACKET, tool box, 290AA	1
3	119426	SCREW, thd forming, hex washer	3
4	260212	SCREW, mach, hex washer hd	1
5	122874	SCREW, mach, slot hex washer hd	1

*All written and visual data contained in this document reflects the latest product information available at the time of publication.
Graco reserves the right to make changes at any time without notice.*

This manual contains English. MM 313766

Graco Headquarters: Minneapolis
International Offices: Belgium, China, Japan, Korea

GRACO INC. P.O. BOX 1441 MINNEAPOLIS, MN 55440-1441

Copyright 2009, Graco Inc. is registered to ISO 9001

www.graco.com