

Hose Extension Kit 257520 for FinishPro™ 290 Sprayer

313605A




- This manual contains kit installation instructions only -



Important Safety Instructions

For detailed sprayer information and warnings, see Operation manual 313316 included with FinishPro 290 Sprayer.

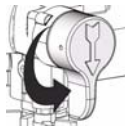
Pressure Relief Procedure

						
To help prevent injection injuries, follow this procedure when you stop spraying and before you service or clean the sprayer, remove parts, or repair leaks.						

1. Turn Power switch OFF. Unplug sprayer.
2. Turn Spray/Prime valve to PRIME to relieve pressure. Turn pressure control knob left (counterclockwise) to minimize pressure.

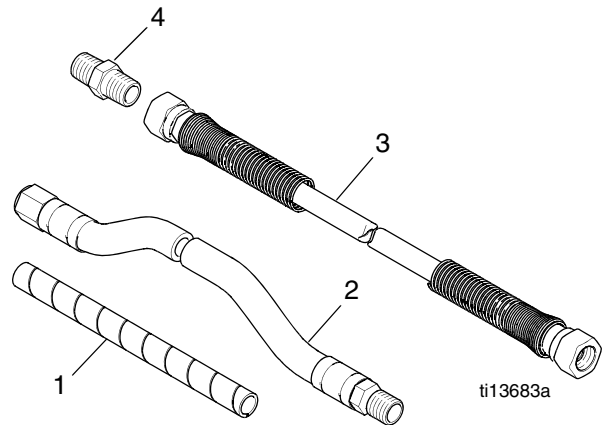
3. Trigger gun.
4. Put trigger safety in safety ON position.

ti11868a



NOTE: Leave Spray/Prime valve in the PRIME position until you are ready to spray again.

If you suspect that the spray tip or hose is completely clogged or that pressure has not been fully relieved after following the steps above, VERY SLOWLY loosen the tip guard retaining nut or hose end coupling to relieve pressure gradually. Then loosen it completely. Clear the tip or hose obstruction.

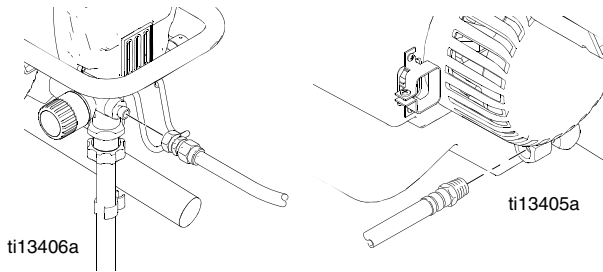


Ref.	Part	Description	Qty.
1	15X843	SLEEVE, wrap, spiral	7
2	15X894	HOSE, air	1
3	277291	HOSE, cpld, 3/16 in. x 25 ft	1
4	156971	FITTING, nipple, short	1

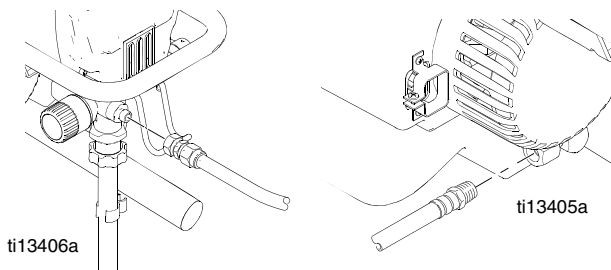
Hose Extension Kit 257520

Installation

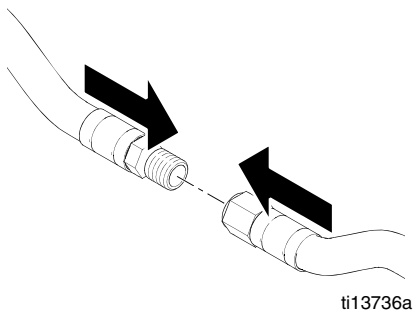
1. Relieve pressure.
2. Disconnect fluid and air hoses from unit.



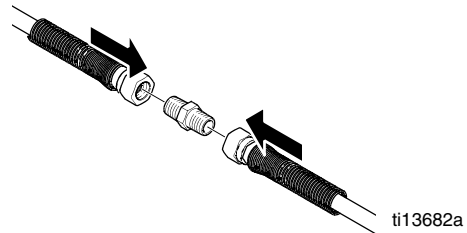
3. Connect new fluid and air hoses to unit. Tighten securely.



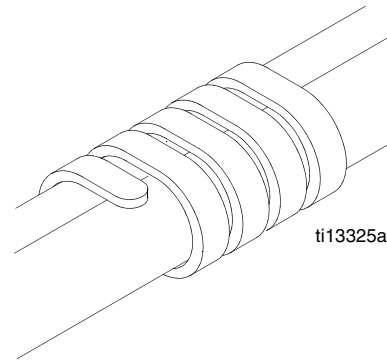
4. Connect new air hose to old air hose. Tighten securely.



5. Connect new fluid hose and old air hose using nipple fitting. Tighten securely.



6. Lay hoses out next to each other and attach sleeve wrap.



All written and visual data contained in this document reflects the latest product information available at the time of publication. Graco reserves the right to make changes at any time without notice.

This manual contains English. MM 313605

Graco Headquarters: Minneapolis
International Offices: Belgium, China, Japan, Korea

GRACO INC. P.O. BOX 1441 MINNEAPOLIS, MN 55440-1441
Copyright 2009, Graco Inc. is registered to ISO 9001
www.graco.com