

RS™ Gun

External Mix Chopper Extension Kit

334010C
EN

**For extending the chopper assembly on external mix chopper guns.
For professional use only.**

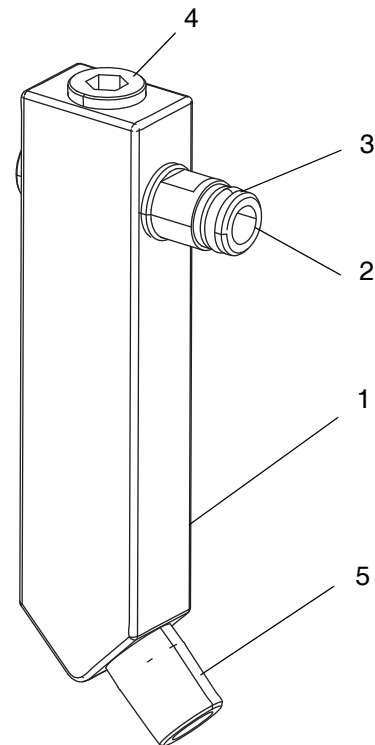


Important Safety Instructions

Read all warnings and instructions in this manual and in the RS™ Gun and Cutter, Operation-Repair manual. Save all instructions.

24V096

Item	Part No.	Description	Qty
1	16X784	FITTING, extension	1
2	16F501	TUBE, air pivot	1
3	111516	PACKING, o-ring	1
4	295662	PLUG, pipe	1
5	127367	FITTING, nipple, 1/8 NPT	1
9	061374	TUBE, poly, rnd	1

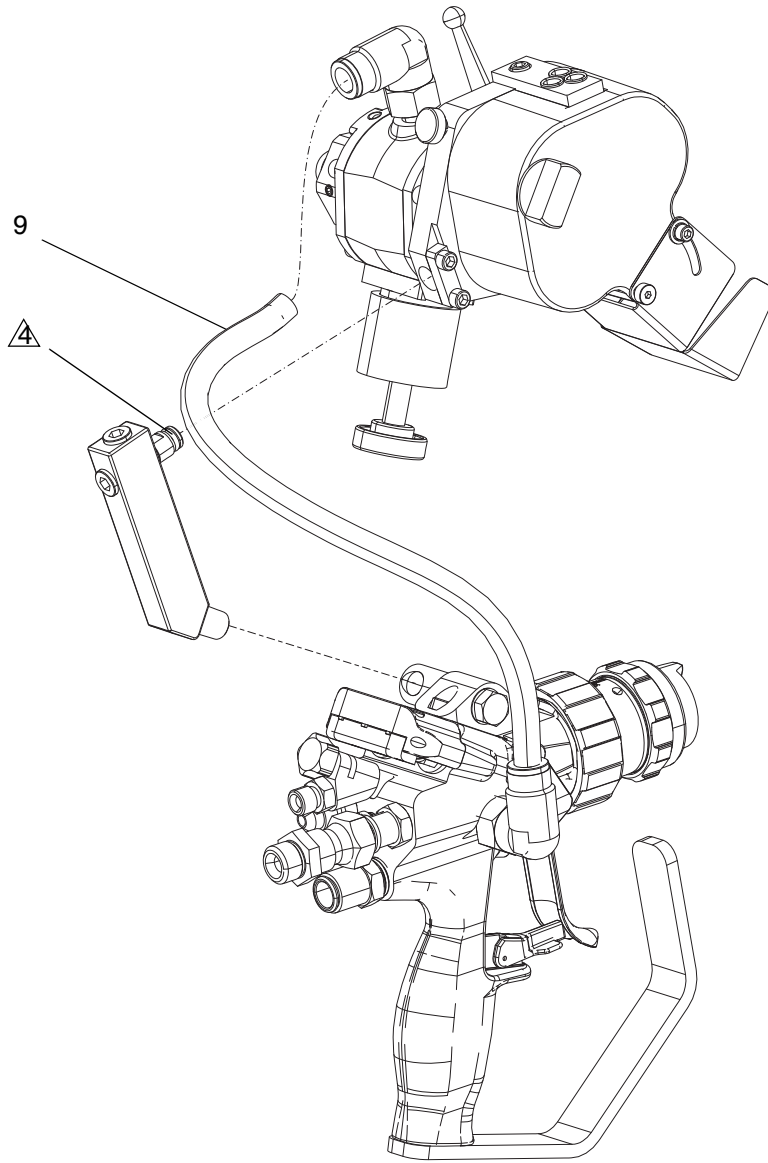




To avoid injury, perform the **Shutdown** procedure found within the RS™ Gun and Cutter, Operation-Repair manual before installation.

1. Apply thread sealant to all male threads.

Orient flats as shown.



All written and visual data contained in this document reflects the latest product information available at the time of publication. Graco reserves the right to make changes at any time without notice.

For patent information, see www.graco.com/patents.

Original instructions. This manual contains English. MM 334010

Graco Headquarters: Minneapolis

International Offices: Belgium, China, Japan, Korea

GRACO INC. AND SUBSIDIARIES • P.O. BOX 1441 • MINNEAPOLIS MN 55440-1441 • USA

Copyright 2014, Graco Inc. All Graco manufacturing locations are registered to ISO 9001.

www.graco.com

Revision C, March 2019