

Tank Level Sensor Kit

332748A

EN

Replacement tank level sensor for Reactor[®] E-10hp.

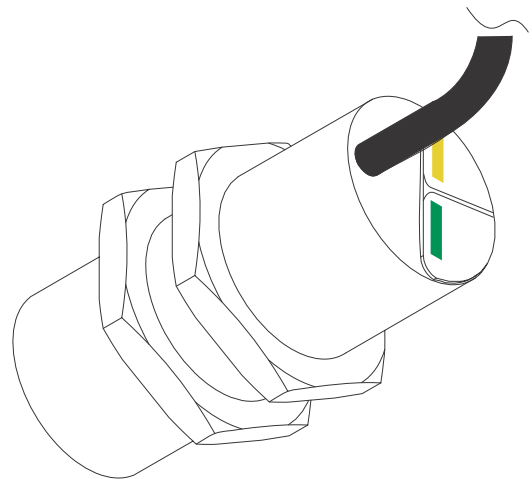
Not approved for use in explosive atmospheres or hazardous locations.

Kit No. 24T988



Important Safety Instructions

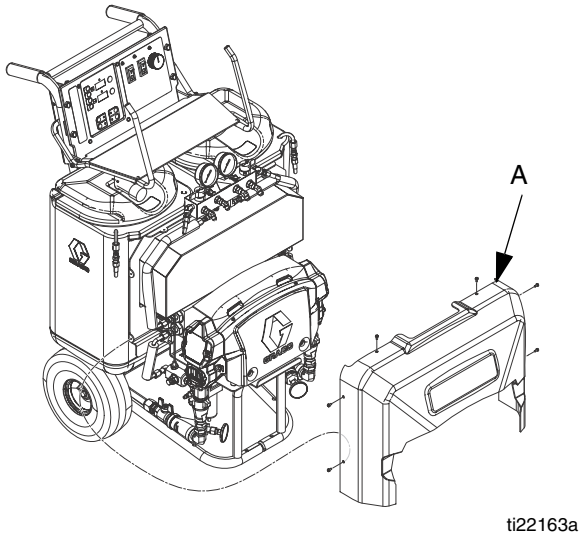
Read all warnings and instructions in the Reactor E-10hp instruction manual. Save these instructions.



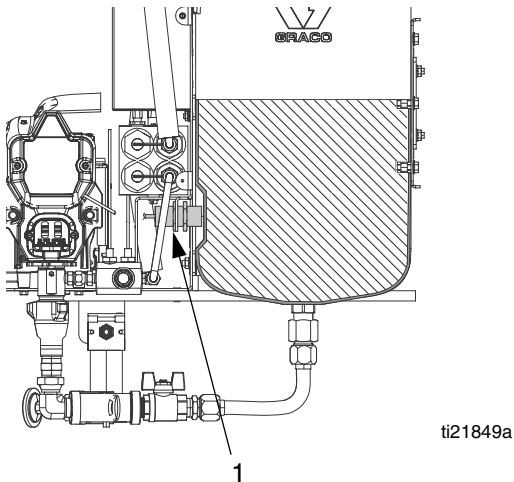
ti22162a

Replace

1. Remove shroud (A) to expose the sensors.

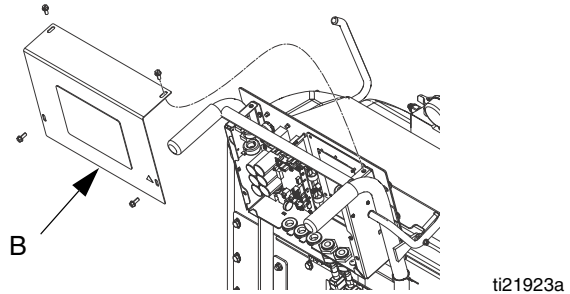


2. Loosen jam nuts and remove level sensor assembly (1).



3. Remove supply tank, see Reactor manual for instructions.
4. Cut zip ties securing the sensor cable to the cart.

5. Remove the display control cover (B).



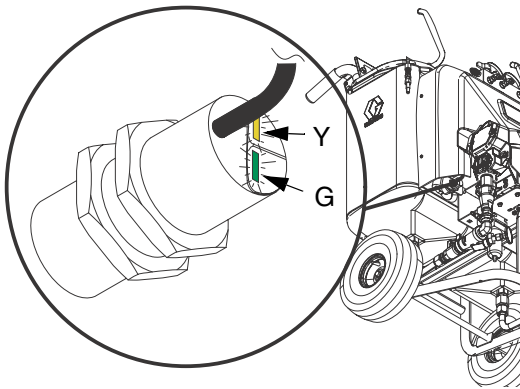
6. Disconnect level sensor connector from J6 on control board. See Reactor instruction manual for control board connector identification information.
7. Route new tank level sensor cable through grommet on bottom of cart and through the grommet on bottom of control panel. Connect new level sensor (1) to J6.
8. Install the display control cover (B).
9. Zip tie tank level sensor cable with other low voltage cables.
10. Reinstall supply tank. See Reactor manual for instructions.
11. Adjust position of level sensor assembly (1). See **Adjust**, page 3.
12. Set sensitivity. See **Set Sensitivity**, page 4.

13. Check operation of both sensors.

- a. Hold one hand inside both tanks for 5 seconds, near inner wall, where the tank level sensor is located.
- b. The tank level indicator LED on the control panel will stop flashing when it senses both of your hands.
- c. The tank level indicator LED will flash if either tank sensor indicates that it is low. Alternately, remove each hand away from inner wall for 5 seconds. The tank level indicator LED on the control panel will flash.

Table 1: Sensor LED Identification

LED	Status
Green (G) - on	Sensor is powered
Green (G) - off	Sensor is not powered
Yellow (Y) - on	Sensor detects material (immediate, no 5 second display)
Yellow (Y) - off	Sensor does not detect material



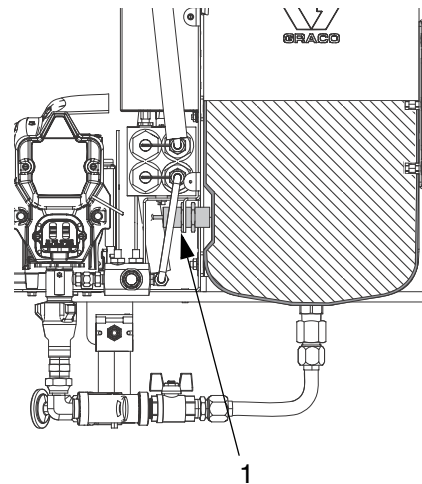
ti21963a

FIG. 1: Sensor LEDs

Adjust

Adjust position of tank fluid level sensor (1) so that the sensor contacts the surface of the tank.

1. Loosen sensor jam nuts and press sensor (1) against the tank.
2. Spin on inner jam nut until flush, then tighten inner jam nut one more turn.
3. Retighten outer jam nut.



ti21849a

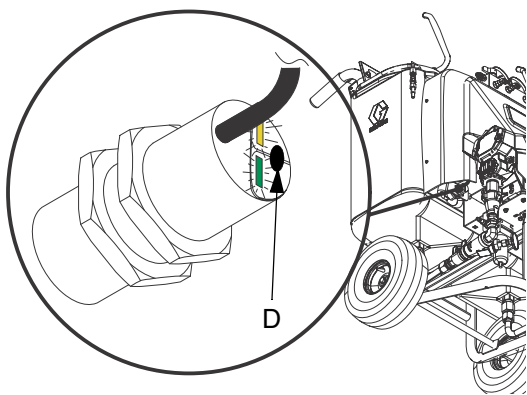
Set Sensitivity

The tank fluid level sensor sensitivity may need to be adjusted when:

- A new tank has a different insulation density than the previous tank.
- Material build-up is on the inside or outside of the tank. Adjust sensitivity rather than thoroughly cleaning the tank.
- Level sensor sensitivity comes out of alignment through misuse or harsh environment.
- Material density is less than normally pumped materials.

1. Ensure tank is completely empty.
2. Ensure sensor (1) and tank are properly installed. See **Adjust**, page 3.
3. Locate the adjustment screw (D) above the green and yellow LEDs.

NOTE: The adjustment screw on some tank level sensors is covered by white tape. Remove the white tape to access the adjustment screw.



ti21963a

FIG. 2: Adjustment Screw

4. Use a small flathead screwdriver and slowly turn the adjustment screw (D) clockwise until the yellow LED turns on.
5. Slowly turn the adjustment screw (D) counterclockwise until the yellow LED barely turns off.

6. Slowly turn the adjustment screw (D) counterclockwise an additional 1/2 turn.

NOTE: The yellow LED should stay turned off.

7. Fill tank with desired material and verify that sensor detects material. The yellow LED will turn on when material reaches the one gallon mark.

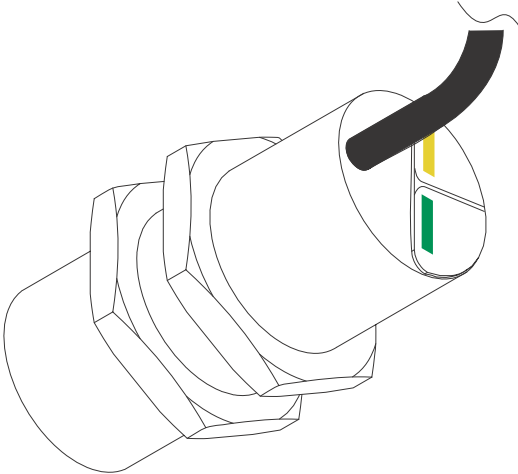
If the yellow LED does not turn on after two gallons of the material, then the material density may be too low and is not detected by the sensor. Turn the adjustment screw clockwise in 1/8 turn increments until sensor detects the material and the yellow LED turns on.

NOTE: If the adjustment screw is turned a total 1/2 turn, then it will not detect an empty tank.

8. Reinstall the shroud (A).

Parts

24T988, Tank Level Sensor Kit



ti22162a

Ref.	Part	Description	Qty.
1	---	SENSOR, tank level	1

Graco Standard Warranty

Graco warrants all equipment referenced in this document which is manufactured by Graco and bearing its name to be free from defects in material and workmanship on the date of sale to the original purchaser for use. With the exception of any special, extended, or limited warranty published by Graco, Graco will, for a period of twelve months from the date of sale, repair or replace any part of the equipment determined by Graco to be defective. This warranty applies only when the equipment is installed, operated and maintained in accordance with Graco's written recommendations.

This warranty does not cover, and Graco shall not be liable for general wear and tear, or any malfunction, damage or wear caused by faulty installation, misapplication, abrasion, corrosion, inadequate or improper maintenance, negligence, accident, tampering, or substitution of non-Graco component parts. Nor shall Graco be liable for malfunction, damage or wear caused by the incompatibility of Graco equipment with structures, accessories, equipment or materials not supplied by Graco, or the improper design, manufacture, installation, operation or maintenance of structures, accessories, equipment or materials not supplied by Graco.

This warranty is conditioned upon the prepaid return of the equipment claimed to be defective to an authorized Graco distributor for verification of the claimed defect. If the claimed defect is verified, Graco will repair or replace free of charge any defective parts. The equipment will be returned to the original purchaser transportation prepaid. If inspection of the equipment does not disclose any defect in material or workmanship, repairs will be made at a reasonable charge, which charges may include the costs of parts, labor, and transportation.

THIS WARRANTY IS EXCLUSIVE, AND IS IN LIEU OF ANY OTHER WARRANTIES, EXPRESS OR IMPLIED, INCLUDING BUT NOT LIMITED TO WARRANTY OF MERCHANTABILITY OR WARRANTY OF FITNESS FOR A PARTICULAR PURPOSE.

Graco's sole obligation and buyer's sole remedy for any breach of warranty shall be as set forth above. The buyer agrees that no other remedy (including, but not limited to, incidental or consequential damages for lost profits, lost sales, injury to person or property, or any other incidental or consequential loss) shall be available. Any action for breach of warranty must be brought within two (2) years of the date of sale.

GRACO MAKES NO WARRANTY, AND DISCLAIMS ALL IMPLIED WARRANTIES OF MERCHANTABILITY AND FITNESS FOR A PARTICULAR PURPOSE, IN CONNECTION WITH ACCESSORIES, EQUIPMENT, MATERIALS OR COMPONENTS SOLD BUT NOT MANUFACTURED BY GRACO. These items sold, but not manufactured by Graco (such as electric motors, switches, hose, etc.), are subject to the warranty, if any, of their manufacturer. Graco will provide purchaser with reasonable assistance in making any claim for breach of these warranties.

In no event will Graco be liable for indirect, incidental, special or consequential damages resulting from Graco supplying equipment hereunder, or the furnishing, performance, or use of any products or other goods sold hereto, whether due to a breach of contract, breach of warranty, the negligence of Graco, or otherwise.

FOR GRACO CANADA CUSTOMERS

The Parties acknowledge that they have required that the present document, as well as all documents, notices and legal proceedings entered into, given or instituted pursuant hereto or relating directly or indirectly hereto, be drawn up in English. Les parties reconnaissent avoir convenu que la rédaction du présente document sera en Anglais, ainsi que tous documents, avis et procédures judiciaires exécutés, donnés ou intentés, à la suite de ou en rapport, directement ou indirectement, avec les procédures concernées.

Graco Information

For the latest information about Graco products, visit www.graco.com.

TO PLACE AN ORDER, contact your Graco distributor or call to identify the nearest distributor.

Phone: 612-623-6921 **or Toll Free:** 1-800-328-0211 **Fax:** 612-378-3505

*All written and visual data contained in this document reflects the latest product information available at the time of publication.
Graco reserves the right to make changes at any time without notice.*

For patent information, see www.graco.com/patents.

Original instructions. This manual contains English. MM 332748

Graco Headquarters: Minneapolis
International Offices: Belgium, China, Japan, Korea

GRACO INC. AND SUBSIDIARIES • P.O. BOX 1441 • MINNEAPOLIS MN 55440-1441 • USA

Copyright 2013, Graco Inc. All Graco manufacturing locations are registered to ISO 9001.

www.graco.com