



## Important Safety Instructions

Before beginning, read all warnings and instructions in this manual and in your related equipment manuals. Save all instructions. This manual is only a guide for kit installation. See Test Fixture manual 309455 for complete warnings and instructions.

# 24R038 Voltage Tester Conversion Kit

406999A

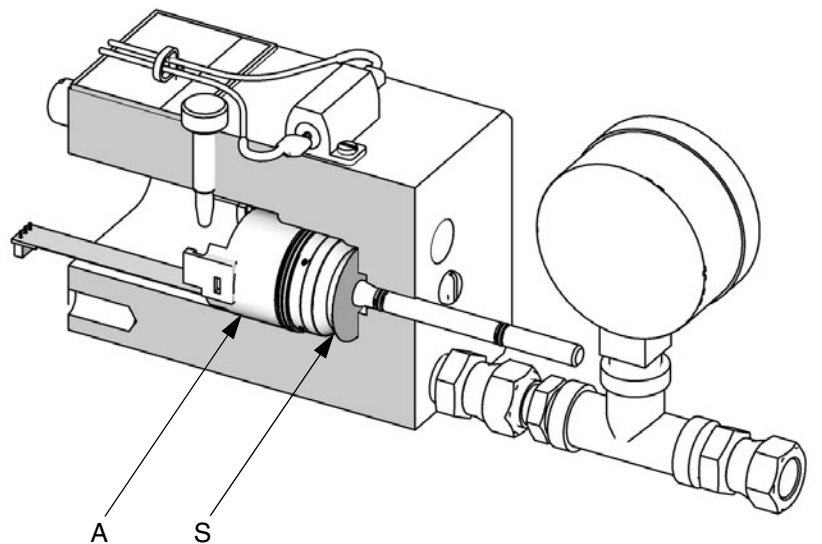
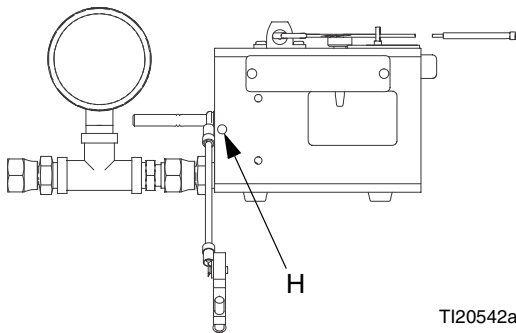
EN

**To convert a 245277 Voltage Tester to test the 24N664 Alternator used with Pro Xp™ Electrostatic Spray Guns. For professional use only.**

**NOTE:** To test a Pro Xp gun smart handle, drill out the gun air valve shaft hole (H) to 1/4 in. diameter.

2. Insert the 24N664 alternator (A) in the tester and follow the test procedure in manual 309455.

1. Insert the spacer (S) into the tester cavity as shown.



*All written and visual data contained in this document reflects the latest product information available at the time of publication.  
Graco reserves the right to make changes at any time without notice.*

Original instructions. This manual contains English. MM 406999

**Graco Headquarters:** Minneapolis

**International Offices:** Belgium, China, Japan, Korea

**GRACO INC. AND SUBSIDIARIES • P.O. BOX 1441 • MINNEAPOLIS, MN 55440-1441 • USA**

**Copyright 2012, Graco Inc. All Graco manufacturing locations are registered to ISO 9001.**

[www.graco.com](http://www.graco.com)