

GENUINE GRACO PARTS AND ACCESSORIES



Merkur[®] Stainless Steel Check Balls Kit

For Merkur LW100A, LW125A, and LW150A Displacement Pumps 406778B



Important Safety Instructions

Read all warnings and instructions in manuals 312792 and 312794. Save all instructions.

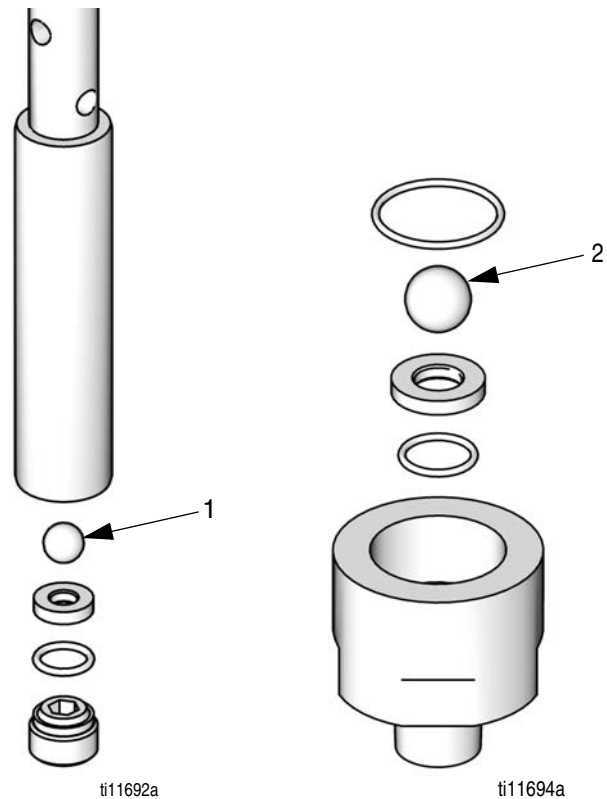
Kit 24A264

Standard Kit: 440 Stainless Steel Balls

Kit 24P614

Optional Kit: 316 Stainless Steel Balls
(Use for high corrosive applications.)

Ref.	Description	Qty.
1	BALL, piston valve check, stainless steel, 9/16 in. (14 mm)	1
2	BALL, intake valve check, stainless steel, 7/8 in. (22 mm)	1



Graco Inc. P.O. Box 1441 Minneapolis, MN 55440-1441

406778 Rev. B- May 2013

Copyright 2008, Graco Inc. is registered to I.S. EN ISO 9001

