

## Needle Replacement Kit for TrueCoat™ Cordless Paint Sprayers

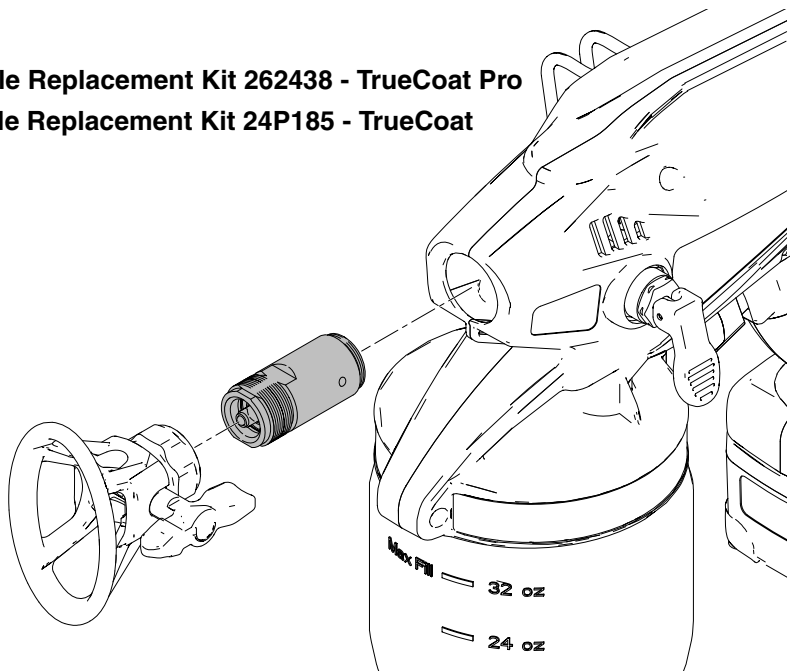
3A0876B  
EN



### IMPORTANT SAFETY INSTRUCTIONS

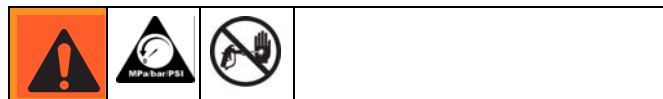
For detailed sprayer information and warnings, see the Operation manual included with your sprayer.

Needle Replacement Kit 262438 - TrueCoat Pro  
Needle Replacement Kit 24P185 - TrueCoat

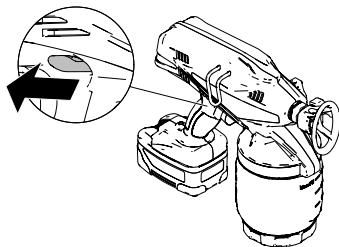


## Pressure Relief Procedure

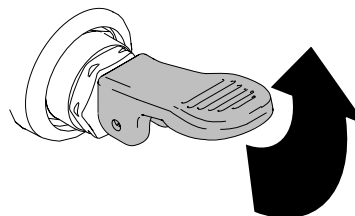
Follow this **Pressure Relief Procedure** whenever you stop spraying and before cleaning, checking, servicing, or transporting equipment.



1. Engage trigger lock.

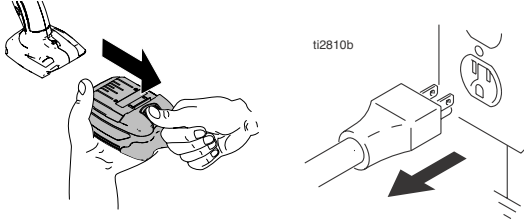


2. Put prime/relief valve UP to release pressure.

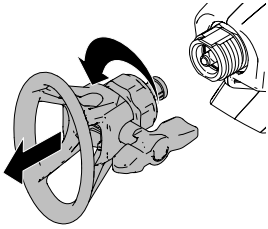


## Needle Removal

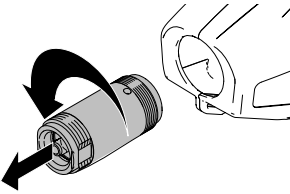
1. Remove battery or unplug power cord and perform **Pressure Relief Procedure** (see cover).



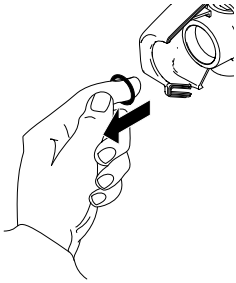
2. Remove spray tip/guard assembly.



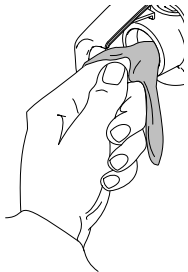
3. Use wrench to loosen and remove needle assembly.



4. Make sure the old o-ring comes out with the needle assembly.

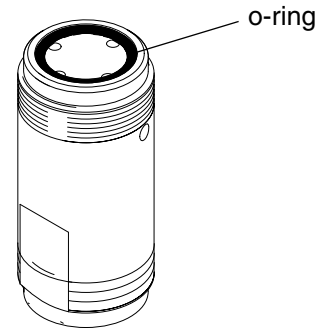


5. Clean the inside of the sprayer and threads.

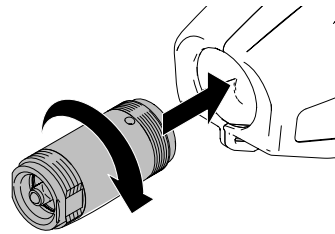


## Needle Replacement

1. Make sure the o-ring is in place and positioned on the needle assembly as shown below.

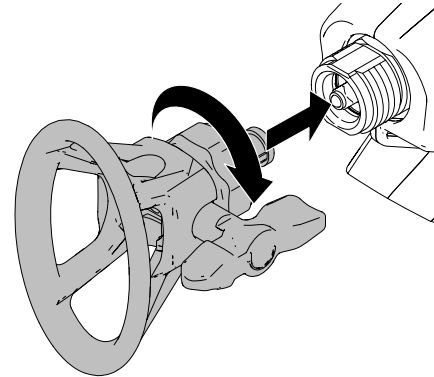


2. Insert new needle housing and use wrench to torque to 150 in-lb.



**NOTE:** Make sure needle assembly is positioned as shown above with the needle pointing out.

3. Replace spray tip/guard assembly.



*All written and visual data contained in this document reflects the latest product information available at the time of publication. Graco reserves the right to make changes at any time without notice.*

For patent information, see [www.graco.com/patents](http://www.graco.com/patents).

Original instructions. **This manual contains English. MM 3A0876**

**Graco Headquarters:** Minneapolis

**International Offices:** Belgium, China, Japan, Korea

**GRACO INC. AND SUBSIDIARIES • P.O. BOX 1441 • MINNEAPOLIS MN 55440-1441 • USA**

**Copyright 2010, Graco Inc. All Graco manufacturing locations are registered to ISO 9001.**

[www.graco.com](http://www.graco.com)

08/2012