



Air Motor Repair Kits

For Merkur® ES Spray Packages and Merkur ES High Temp Motors

406900D

EN



Important Safety Instructions

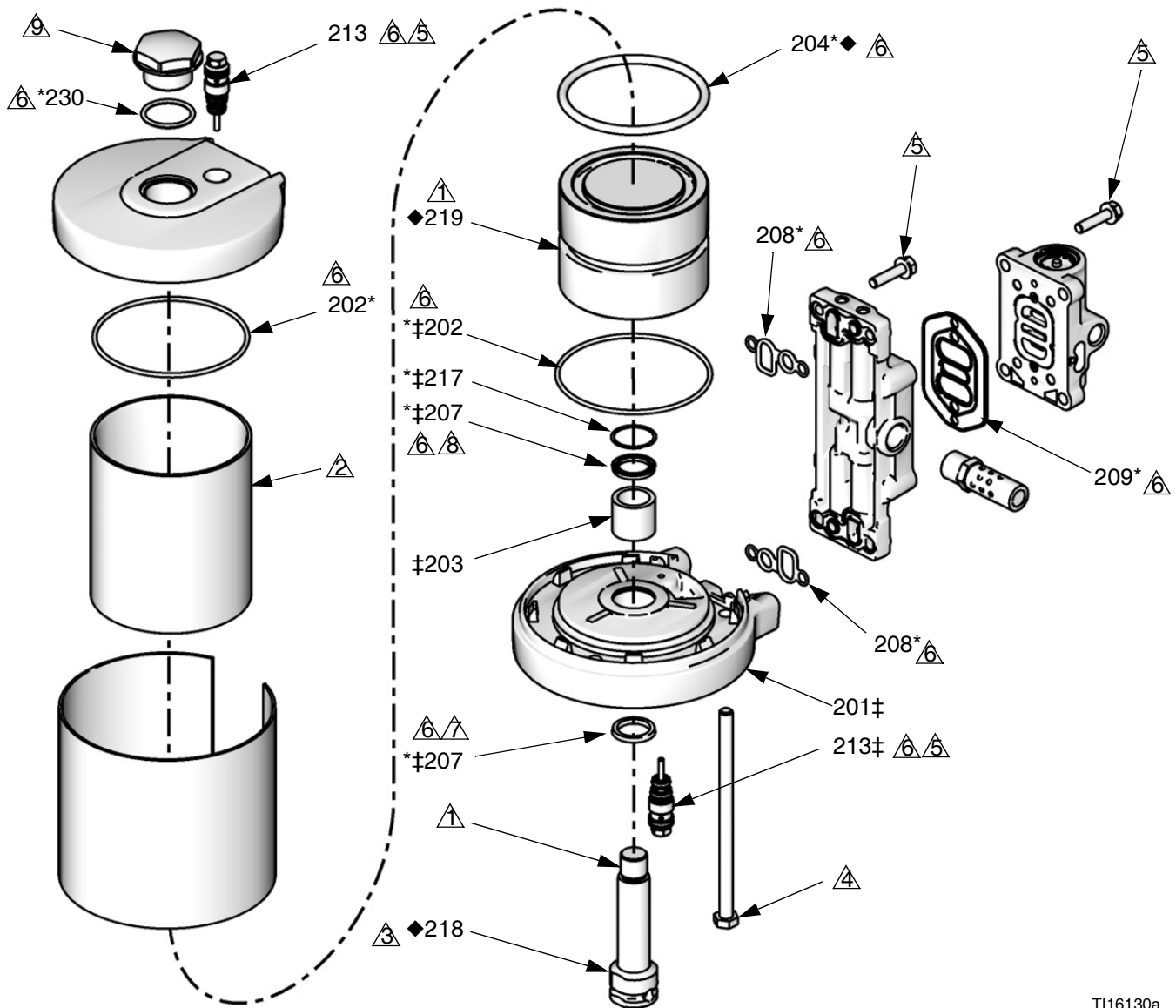
Read all warnings and instructions in your Merkur ES package manual. Save all instructions.

- 24G693, Complete 2.5 in. Merkur ES Motor Kit
- 24G694, Complete 3.5 in. Merkur ES Motor Kit
- 24R025, Complete 2.5 in. Merkur ES High Temp Motor Kit
- 24G695, Bottom Cover Kit, 2.5 in. Merkur ES Motors (includes ‡ items)
- 24G696, Bottom Cover Kit, 3.5 in. Merkur ES Motors (includes ‡ items)
- 24R704, Bottom Cover Kit, 2.5 in. Merkur ES High Temp Motors (includes ‡ items)
- 24G697, Air Motor Piston Kit, 2.5 in. Merkur ES Motors (includes ◆ items)
- 24G698, Air Motor Piston Kit, 3.5 in. Merkur ES Motors (includes ◆ items)
- 24R705, Air Motor Piston Kit, 2.5 in., 0.5 in. stroke Merkur ES High Temp Motors (includes ◆ items)
- 25F142, Air Motor Piston Kit, 2.5 in, 1.5 in. stroke Merkur ES High Temp Motors (includes ◆ items)
- 24G699, Air Motor Seal Kit, 2.5 in. Merkur ES Motors (includes * items)
- 24G700, Air Motor Seal Kit, 3.5 in. Merkur ES Motors (includes * items)
- 24R706, Air Motor Seal Kit, 2.5 in. Merkur ES High Temp Motors (includes * items)
- 25D081, Complete 2.5 in. Merkur Reciprocating Motor Kit

NOTE: See the air motor illustration on page 2.

Ref.	Description	Qty
200*‡◆	ADHESIVE, piston/rod; 3 ml	1
201‡	COVER, bottom	1
202*‡	O-RING, cover	
	* Kits 24G699, 24G700, and 24R706	2
	‡ Kits 24G695, 24G696, and 24R704	1
203‡	BEARING	1
204*◆	O-RING, piston	1
207*‡	SEAL, u-cup	2

Ref.	Description	Qty
208*	GASKET, manifold	2
209*	GASKET, air valve	1
213‡	VALVE, pilot	1
217*‡	RING, retaining	1
218◆	ROD, air motor	1
219◆	PISTON, air motor	1
230*	O-RING, plug	1
299*‡◆	LUBRICANT, grease	1



TI16130a

- | | |
|--|---|
| △ Apply adhesive (200) to threads, per directions on packet. | △ Torque to 95-105 in-lb (10.7-11.9 N•m). |
| △ Lubricate inside surface of cylinder with grease (299). | △ Lubricate with grease (299). |
| △ Torque to 35-40 ft-lb (47-54 N•m). | △ Lips face down. |
| △ Torque to 11-13 ft-lb (15-18 N•m). | △ Lips face up. |
| | △ Torque to 30-35 ft-lb (41-47 N•m). |

Graco Information

For the latest information about Graco products, visit www.graco.com.

For patent information, see www.graco.com/patents.

TO PLACE AN ORDER, contact your Graco distributor or call to identify the nearest distributor.

Phone: 612-623-6921 **or Toll Free:** 1-800-328-0211 **Fax:** 612-378-3505

All written and visual data contained in this document reflects the latest product information available at the time of publication. Graco reserves the right to make changes at any time without notice.

Original instructions. This manual contains English. MM 406900

Graco Headquarters: Minneapolis

International Offices: Belgium, China, Japan, Korea

GRACO INC. AND SUBSIDIARIES • P.O. BOX 1441 • MINNEAPOLIS, MN 55440-1441 • USA

Copyright 2010, Graco Inc. All Graco manufacturing locations are registered to ISO 9001.

www.graco.com

Revision D, May 2022